

# Back wall - 60x72 in.

**Model number:**

105072

**Dimensions:** 2" x 60" x 72"

**Installation:** Direct to Stud

**Material:** Acrylic



## Standard Features:

- Back wall
- Integrated convenient footrest
- Designed for ease of maintenance
- Easy front installation with snap clips

## Product characteristics:

- Direct to Stud Installation
- Built-in shelves
- Easy Installation

## Warranty:

10 Years

## Standard colors:



White (001)



Bone (004)



Biscuit (007)

## Certifications

MAAX products adhere to one or more of the following certifications:



## Recommended products (Visit our website for a complete list of our recommended products)

No	Description
105055	Rectangular Base 6030 - 5 in.
105056	Rectangular Base 6032 - 5 in.
105057	Rectangular Base 6036 - 5 in.

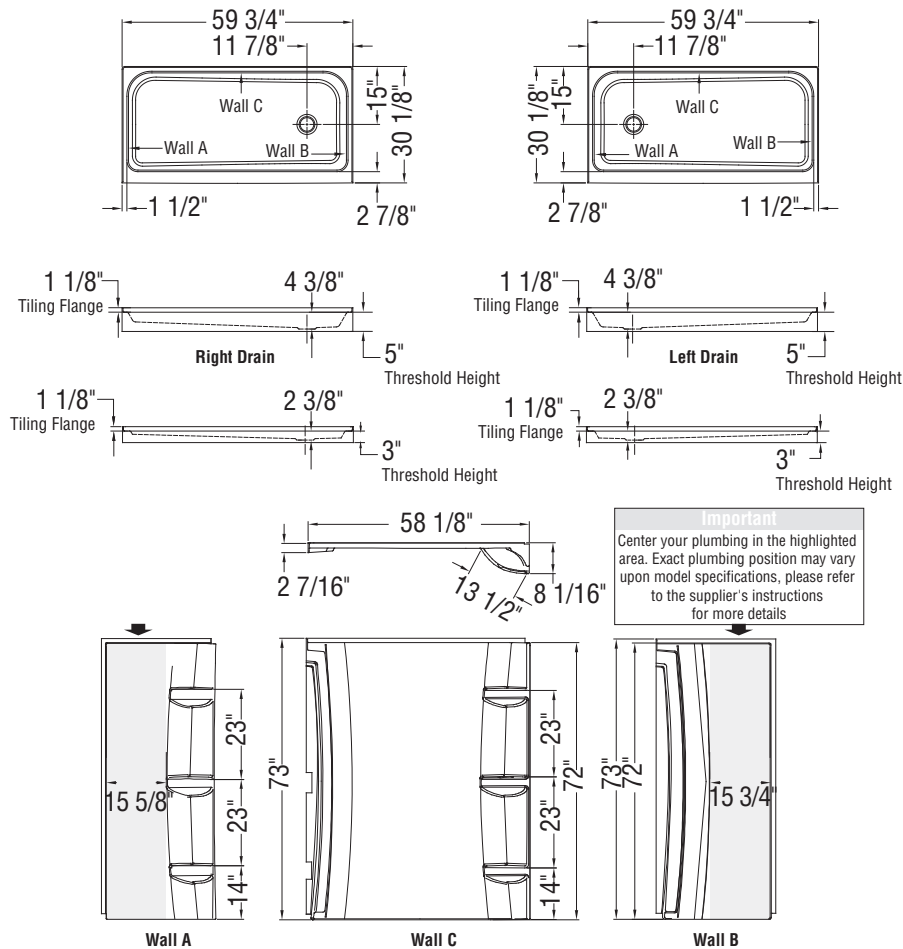
# Back wall - 60x72 in.

**Model number:** 105072

**Dimensions:** 2' x 60" x 72"

**Installation:** Direct to Stud

**Material:** Acrylic



**Dimensions:**  
1 1/2 x 60 x 72 in.  
(1524 x 38 x 1829 mm)

**Weight:**  
52 lbs (23.59 kg)

All dimensions are approximate. Structure measurements must be verified against the unit to ensure proper fit.

Project: \_\_\_\_\_

Contractor: \_\_\_\_\_

Representative: \_\_\_\_\_

Date: \_\_\_\_\_

Tel: \_\_\_\_\_

Notes: \_\_\_\_\_

\_\_\_\_\_

\_\_\_\_\_