

## AXOR Starck

### AXOR Starck 2-Spray HighArc Kitchen Faucet, Pull-Down, 1.75 GPM

Finishes : **chrome** Part no. : **10821001**



#### Description

##### Features

- Swivel range 150°
- Laminar and needle spray
- Toggle spray diverter
- MagFit magnetic sprayhead docking
- maximum Flow rate at 44 PSI: 1.75 GPM
- Flow: 1.75 GPM (6.6 L/min)
- Joystick ceramic cartridge
- 3/8" hoses

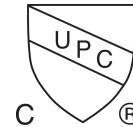
#### Item details

List Price \$ 830.00

#### Technology



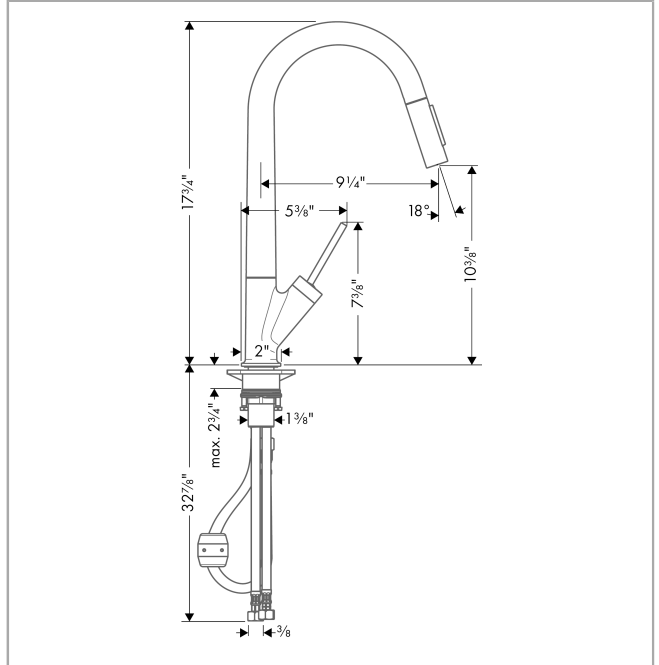
#### Compliance



#### Product image



#### Scale drawing



**AXOR Starck**

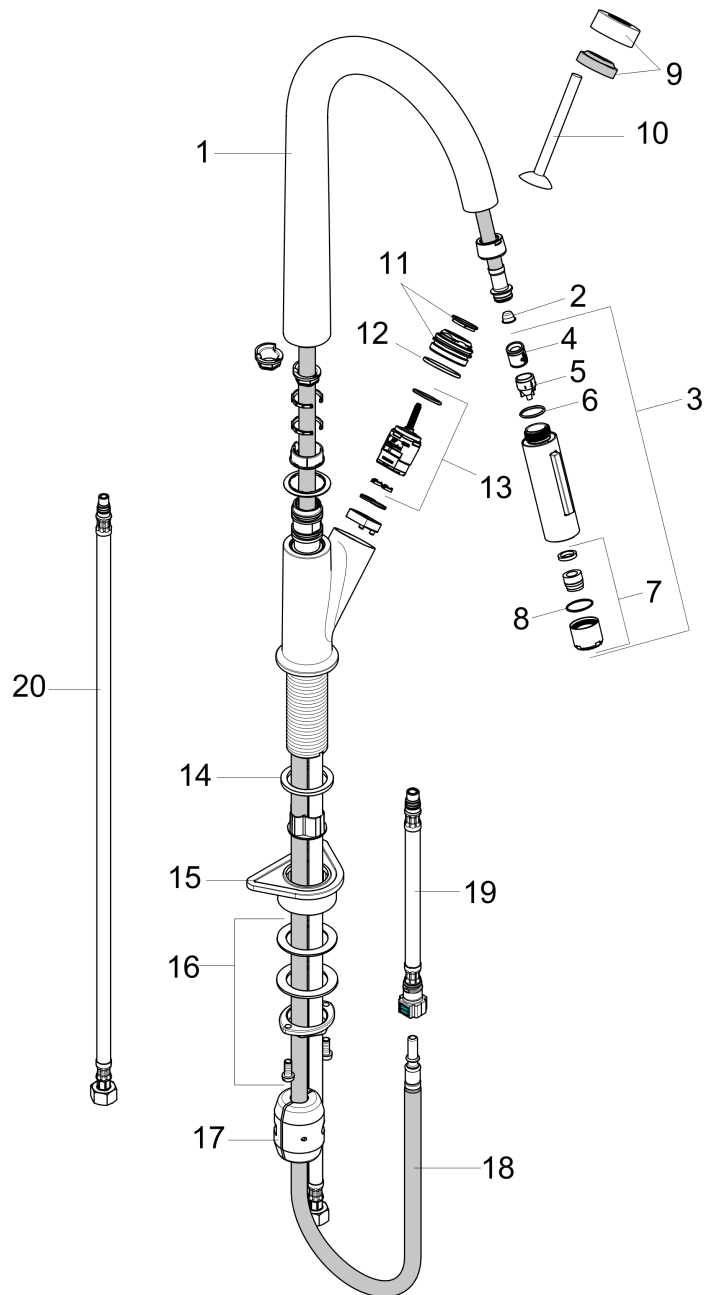
**AXOR Starck 2-Spray HighArc Kitchen Faucet, Pull-Down, 1.75 GPM**

Finishes : **chrome** Part no. : **10821001**



## Exploded drawing

Year of production: >11/15



**AXOR Starck**
**AXOR Starck 2-Spray HighArc Kitchen Faucet, Pull-Down, 1.75 GPM**

 Finishes : **chrome**    Part no. : **10821001**

**Spare parts list**

Year of production: &gt;11/15

Pos.	Description	Part no.	Price	PU
1	spout cpl.	95907000	-	1
2	filter	97735000	-	1
3	handspray	95908001	-	1
4	non return valve	93218000	-	1
5	set of non return valves DW 15	97350000	-	1
6	O-ring 18x1,5	98231000	-	1
7	aerator laminar M22x1 (15 l/min)	95909000	-	1
8	O-ring 20x1	98140000	-	1
9	flange	97155000	-	1
10	handle	95893000	-	1
11	nut	97157000	-	1
12	O-Ring 30x2	98186000	-	1
13	cartridge, assy	96339000	-	1
14	flat seal	98749000	-	1
15	support	97523000	-	1
16	fixing set (Ø 34)	95049000	-	1
17	weight	92500000	-	1
18	hose 1,50 m	88624000	-	1
19	connection hose 600 mm M10x1	95561000	-	1
20	connection hose 35½" M8x0,75 3/8"	96316001	-	1
a	Grease	90920000	-	1
b	set of lever collars	98365000	-	1