

**Ecostat**  
**Pressure Balance Trim S**  
 Finishes : **brushed nickel**    Part no. : **04233820**



**Description**

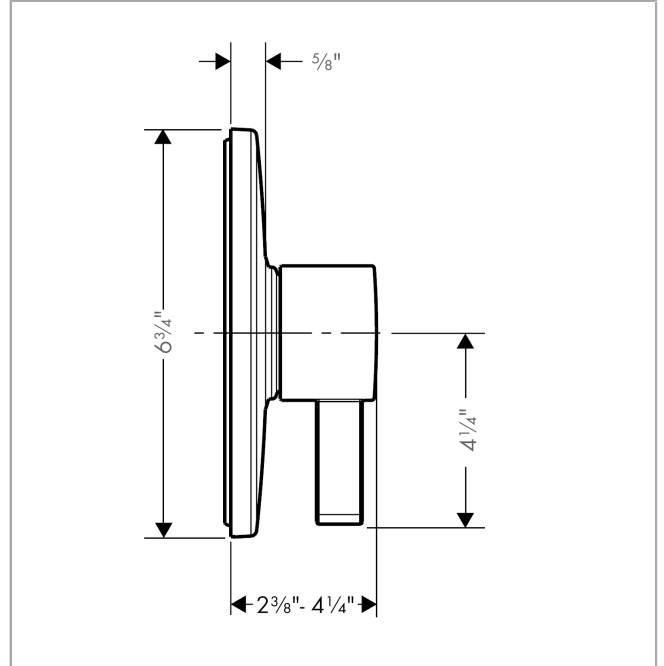
**Features**

- Flow: 5.44 GPM (20.6 L/Min)
- Integrated bypass for use with diverter tub spouts
- Temperature and on/off control for 1 outlet

**Product image**



**Scale drawing**



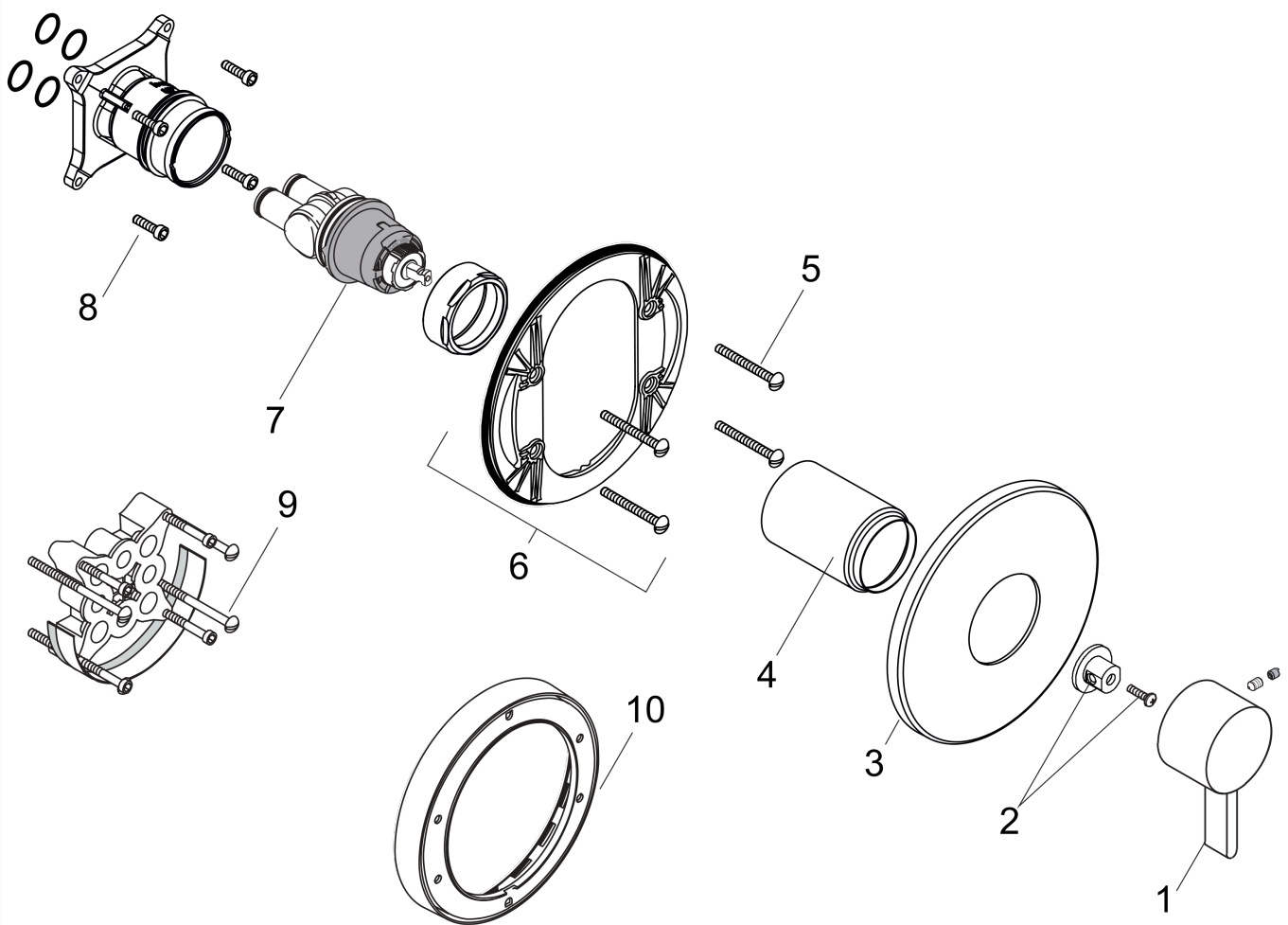
**Ecostat**  
**Pressure Balance Trim S**  
 Finishes : **brushed nickel**

Part no. : **04233820**



**Exploded drawing**

Year of production: **>05/10**



**Ecostat**

**Pressure Balance Trim S**

Finishes : **brushed nickel**

Part no. : **04233820**



**Spare parts list**

Year of production: >05/10

Pos.	Description	Part no.	PC	PU
1	handle	88763000	0	1
2	adapter for handle	92756000	0	1
3	escutcheon	88760820	0	1
4	sleeve	88765820	0	1
5	set of fixing screws	96454000	0	1
6	sub plate	96447000	0	1
7	cartridge, assy	88727000	0	1
8	set of screws	96525000	0	1
9	extension 25 mm	13595000	0	1
10	extension 22 mm (Ø 170 mm)	13596820	0	1