

# Rubix 6030 Acrylic Alcove Bathtub

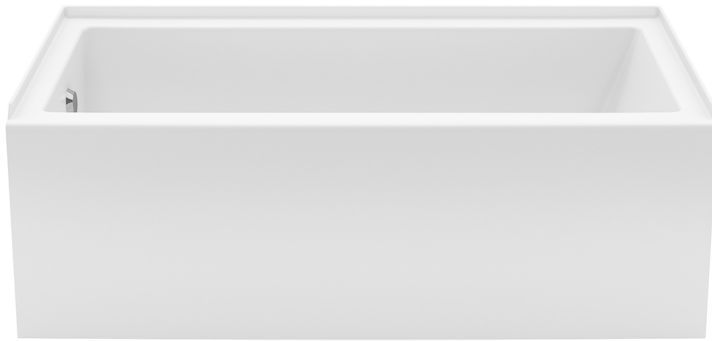
**Model number:**

105815-000-001-002

**Dimensions:** 59.75" x 30" x 18.375"

**Installation:** Alcove

**Material:** Acrylic



## Standard Features:

- Alcove installation
- Modern cubic design
- Acrylic surface resistant to stains
- Available in left-hand and right-hand drain configurations to fit your specific bathroom layout
- High-gloss finish adds luxurious look to your bathroom
- Integrated flat apron and tiling flange on three sides facilitate a quick and simple installation with no need to worry about leakage or water infiltration

## Product characteristics:

- Maximized Bathing Well
- Integrated Tiling Flange and Skirt
- Utile Compatible

## Standard Colors:



White

## Certifications

MAAX products adhere to one or more of the following certifications:



# MAAX

# Rubix 6030 Acrylic Alcove Bathtub

**Model number:**

105815-000-001-002

**Dimensions:** 59.75" x 30" x 18.375"

**Installation:** Alcove

**Material:** Acrylic

## Dimensions

59 3/4 x 30 x 18 1/2 In.  
(1518 x 762 x 467 mm)

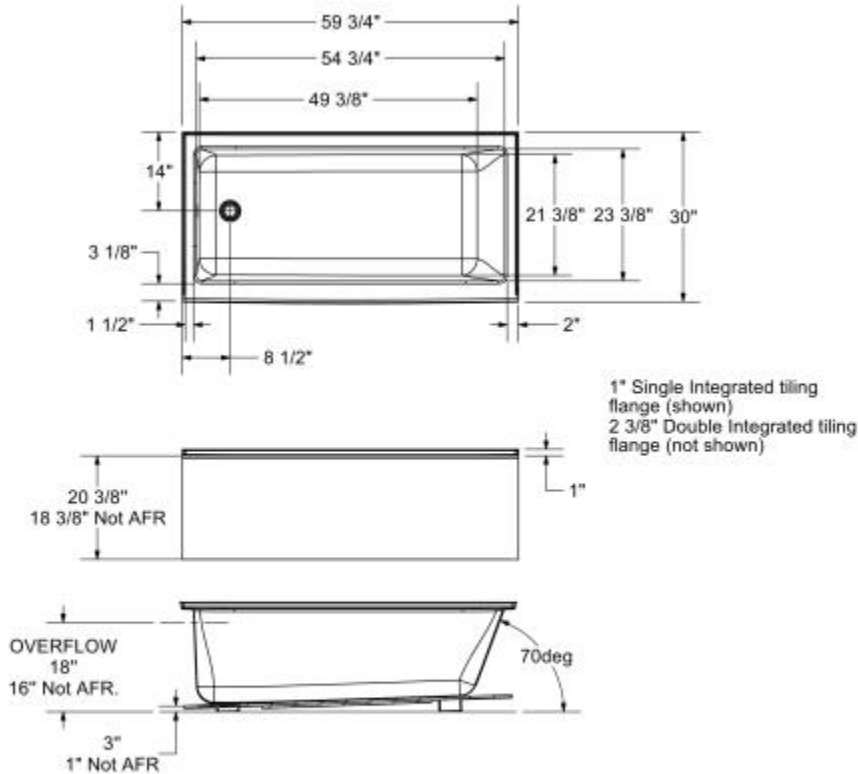
## Weight

75 lbs - 34 kg

## Drain location:

Left

Right



Wood support design may vary.  
Single integrated tiling flange: 1" height x 1/4" thickness (shown)  
Double integrated tiling flange: 2 3/8" height (not shown)  
All dimensions are approximate. Structure measurements must be verified against the unit to ensure proper fit.

Project:

Contractor:

Representative:

Date:

Tel:

Notes:

# MAAX