

**Talis S**  
**Kitchen Faucet, 1-Spray, 1.5 GPM**  
 Finishes : **steel optic** Part no. : **04870800**



**Description**

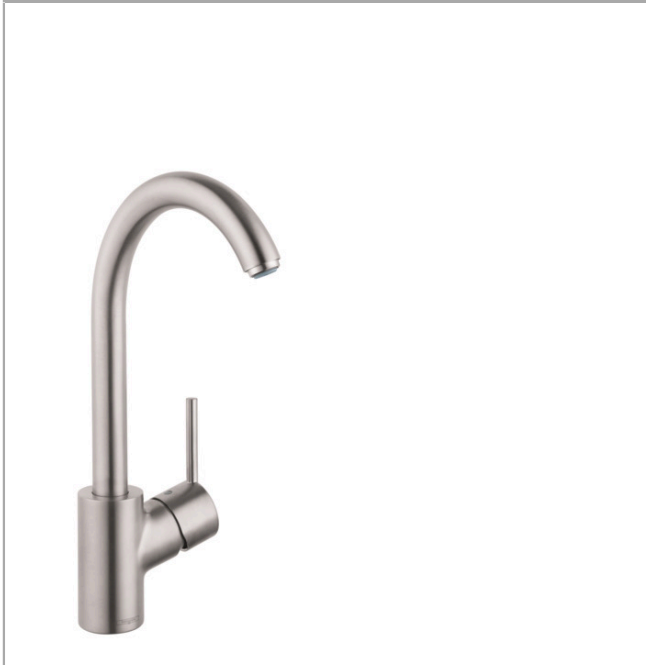
**Features**

- Swivel range 150°
- Aerated spray
- deck mounted
- Flow: 1.5 GPM (5.7 L/Min)
- Ceramic cartridge
- 3/8" connections

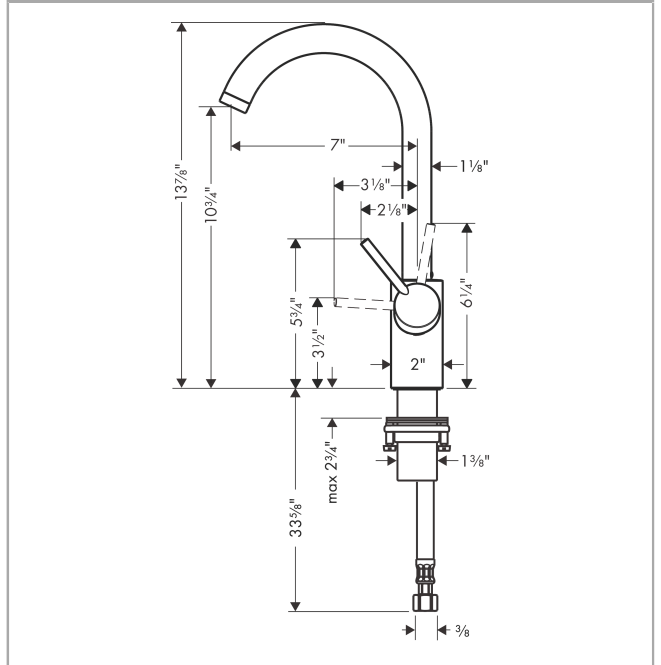
**Technology**



**Product image**



**Scale drawing**

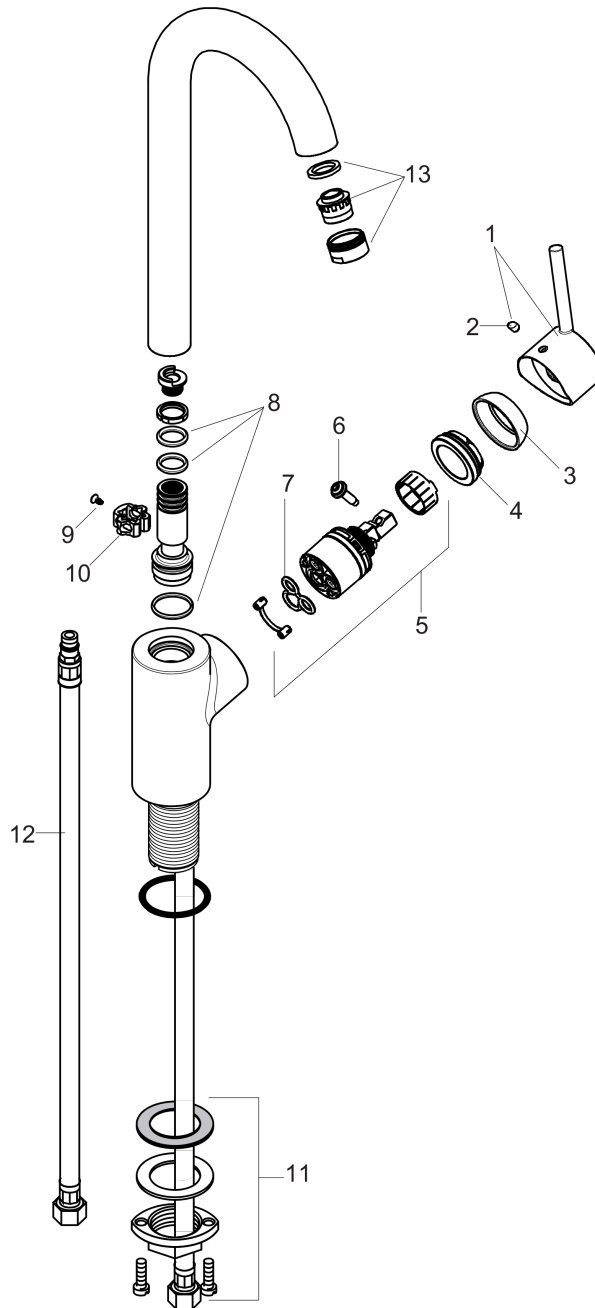


**Talis S**  
**Kitchen Faucet, 1-Spray, 1.5 GPM**  
 Finishes : **steel optic** Part no. : **04870800**



Exploded drawing

Year of production: >10/18



**Talis S**  
**Kitchen Faucet, 1-Spray, 1.5 GPM**  
 Finishes : **steel optic** Part no. : **04870800**



## Spare parts list

Year of production: >10/18

Pos.	Description	Part no.	PC	PU
1	handle	95560800	0	1
2	screw cover	96338000	0	1
3	flange	95498800	0	1
4	nut	97209000	0	1
5	cartridge, assy	92730000	0	1
6	locking screw for handle	96059000	0	1
7	seal	95008000	0	1
8	sealing set	92646000	0	1
9	screw	97662000	0	1
10	axialring	97558000	0	1
11	fixing set (Ø 34)	95049000	0	1
12	connection hose 35½" M8x0,75 3/8"	96316001	0	1
13	aerator M24x1 (5 l/min)	88744800	0	1