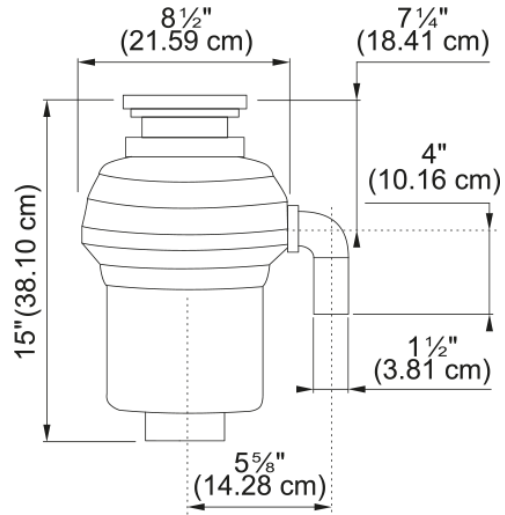


1/2 HP Food Waste Disposer - KWD50C1-EZ | 134.0262.596



Kindred 1/2 Horse Power Continuous Feed Food Waste Disposer. A Kindred food waste disposer simplifies cleanup before and after a meal and decreases the amount of trash you take to the curb - less mess all the way around. This Kindred continuous feed kitchen sink waste disposer features a 1/2 Horsepower motor with 2600 r.p.m. this that can grind waste scraps instantly using less water and electricity. The Master Torque permanent magnet DC motor reduces jams for lasting service. The Bio Shield antimicrobial agents are permanently molded into the disposer to eliminate bacteria caused odors. Kindred waste disposals are safe for use with septic tanks that are sized for your home. The EZ mount installation system simplifies disposal installation - No snap ring, No custom tools, and No screws to tighten!

Aspect

Product type Food waste disposer

Energy specifications

Voltage 110 V

Product identification

Product brand Kindred

Collection Disposer

Features

Horsepower 1/2 HP