



Buy it for looks. Buy it for life.®

Specifications

FAUCET DESCRIPTION

- Metal construction with chrome plated finish
- Inlet shanks will accept 3/8" ball nose connections
- 3 - 1" min. dia. holes required for trap seal primer
- Includes outlet for installing trap seal primer (trap seal primer not included)
- Includes optional gardenhose adapter


OPERATION

- Mini blade style handles with hot and cold color indicators

CARTRIDGE

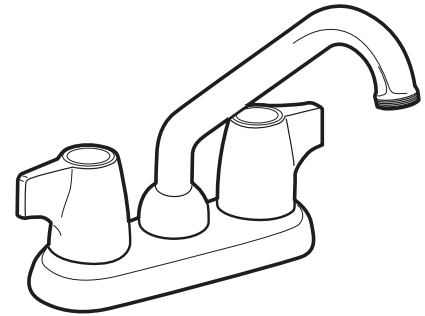
- 1224 cartridge design

STANDARDS

- Designed and manufactured to comply with the requirements of: ASME A112.18.1/CSA B-125.1 and all applicable specifications referenced therein
- ADA  for lever handles

WARRANTY

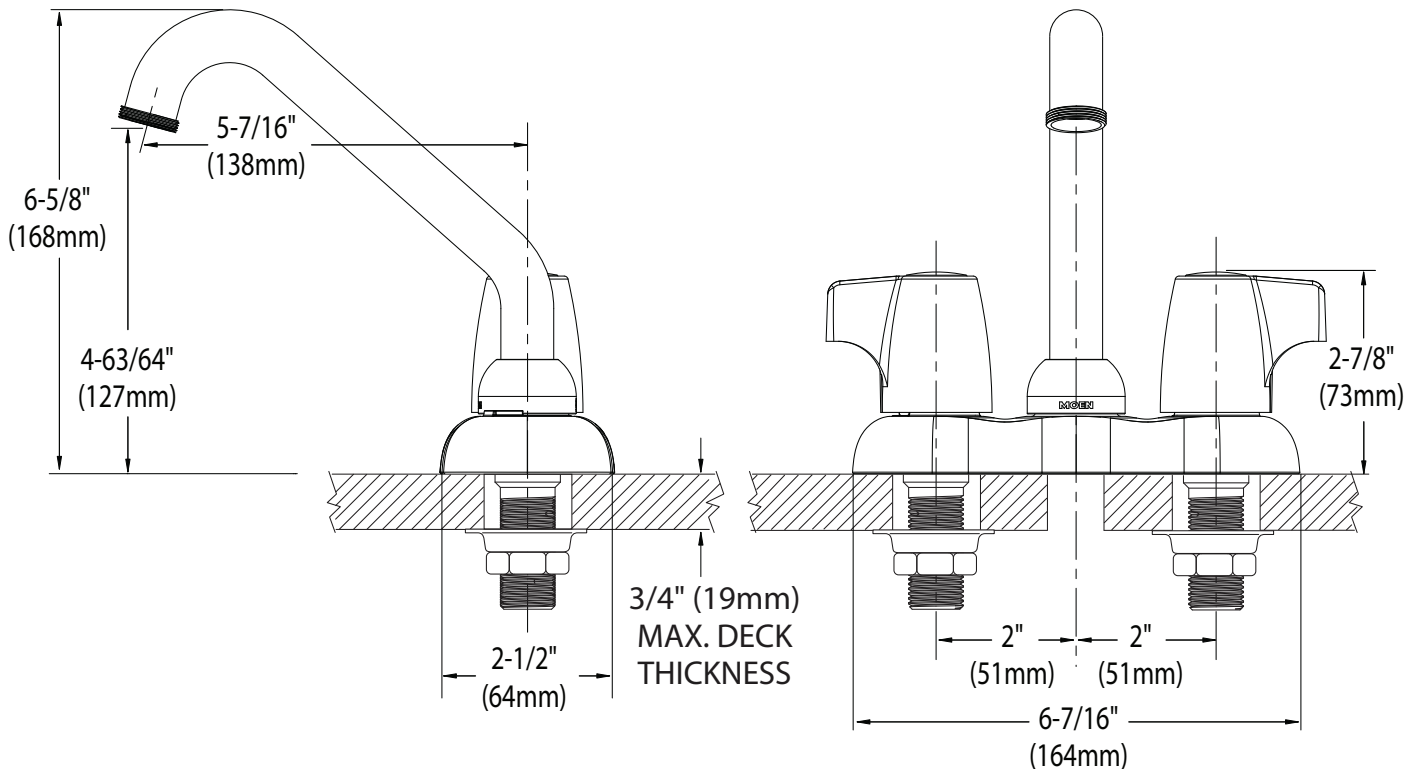
- Lifetime limited warranty against leaks, drips and finish defects



Two Handle Laundry Faucet

Model: 4871

NOTE: Designed to be installed through 2 - 1" min. dia. holes 4" on center



Some local plumbing codes may require installation of a backflow preventer. Refer to your local authority to ensure proper installation of this product.

CRITICAL DIMENSIONS

(DO NOT SCALE)

FOR MORE INFORMATION CALL: 1-800-BUY-MOEN

www.moen.com