

# INSTALLATION INSTRUCTIONS CARE AND MAINTENANCE

*American  
Standard*

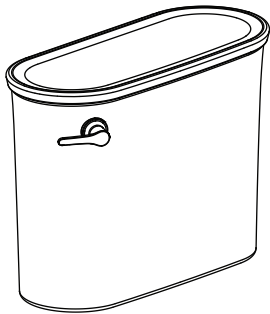
## STUDIO® S, STUDIO® AND CADET® 3 CONCEALED TRAPWAY 2-piece Toilets

Thank you for selecting American Standard - the benchmark of fine quality for over 140 years. To ensure this product is installed properly, please read these instructions carefully before you begin. (Certain installations may require professional help.) Also be sure your installation conforms to local codes.

**⚠ CAUTION: PRODUCT IS FRAGILE. TO AVOID BREAKAGE AND POSSIBLE INJURY HANDLE WITH CARE!**  
NOTE: Pictures may not exactly define contour of china and components.

**BEFORE INSTALLING YOUR TOILET:** please see your product spec page to verify the dimensions and water supply connections. Visit our website where you can search by Model number for the product spec page at: <http://www.americanstandard-us.com/>

### TANK PACKAGE



### EZ-INSTALL KIT INCLUDED WITH TANK



Tank To Bowl  
Gasket



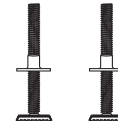
Bowl-To-Floor  
Knobs (2)



Metallic (Brass)  
Tank Nuts (2)

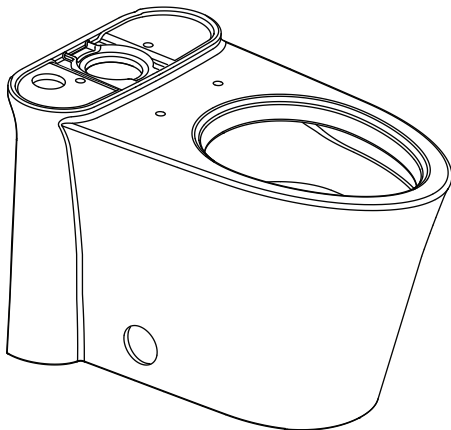


Attachment  
Handle

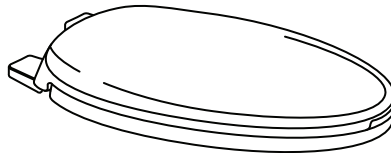


T-Bolts with  
Retainer (2)

### BOWL PACKAGE



### EZ-INSTALL KIT INCLUDED WITH BOWL



**TOILET SEAT**  
(INSTALLATION INSTRUCTIONS  
INCLUDED WITH SEAT)

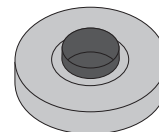


Bolt Caps (2)  
with adhesive backing

### SOLD SEPARATELY



Water Supply Line



Wax Ring



7301555-100R3

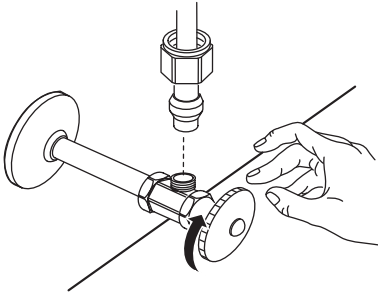
Product names listed herein are trademarks of AS America, Inc.  
© AS America, Inc. 2020

7301555-100 Rev. 3 3/20

USE  
FUTURE  
FOR  
SAVE

## Before You Start:

### Turn Off Water Supply

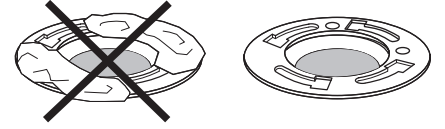


### If Removing An Existing Toilet

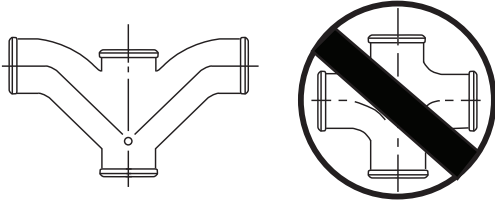
Flush to remove water from tank; sponge remaining water from bowl before removing toilet.



### Clean Flange



**⚠ Caution:** If leaving floor flange open for more than 1-2 hours, cover flange to prevent escaping sewer gases.

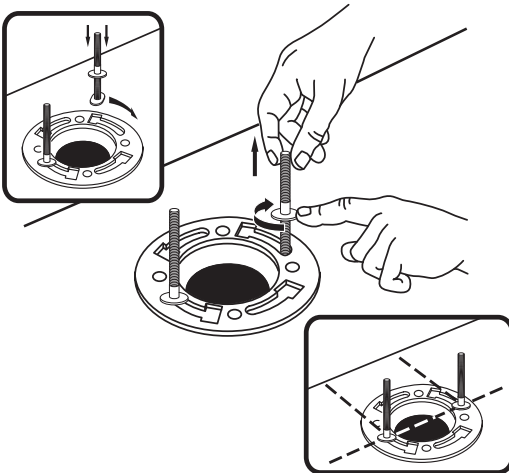


Recommended fitting type for back-to-back installations.

## BACK-TO-BACK INSTALLATION

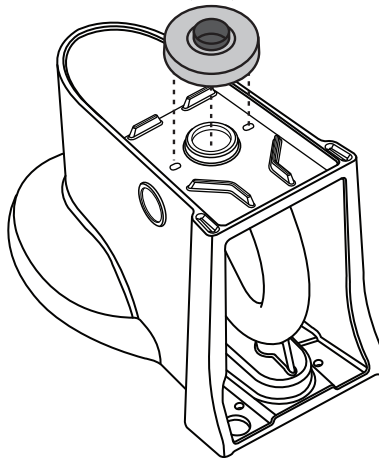
Depending upon your plumbing and venting conditions, the flow from the toilet in a back-to-back installation may create a vacuum on the system and draw water from the opposing bowl. The National Standards Plumbing Code prohibits the use of a cross fitting for drainage as throw over is possible. The code does approve a directional "Y" style fitting with proper venting to direct the water downward and away from the other toilet.

1

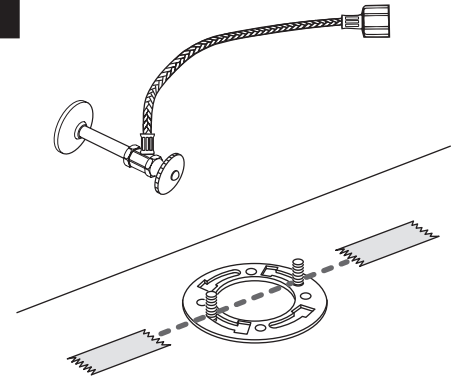


2

Press firmly.



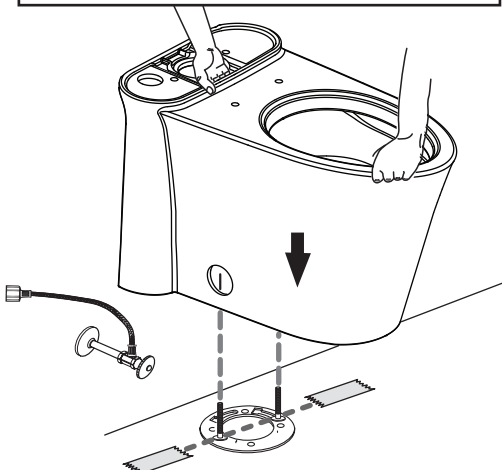
3



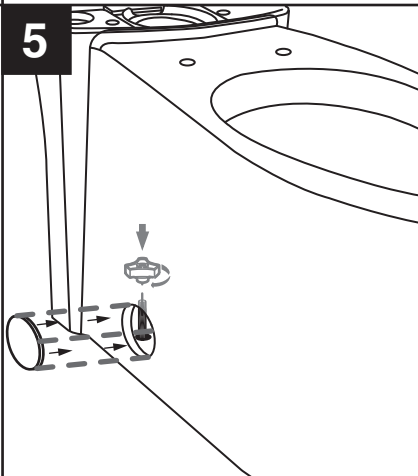
**TIP:** Place 2 pieces of masking tape on floor (as shown) to help with alignment in step 4.

4

Apply weight evenly. Do not move after placement. Water tight seal may break.



5

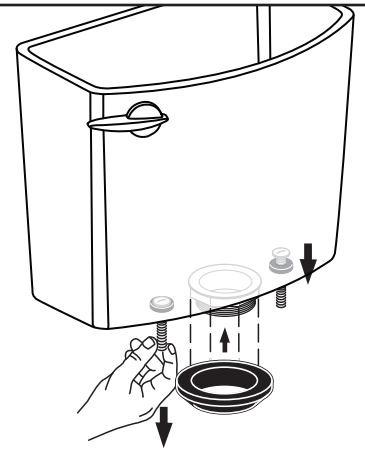


**⚠ Hand Tighten Only. Do Not Overtighten.**

6

### Tank-to-Bowl Gasket

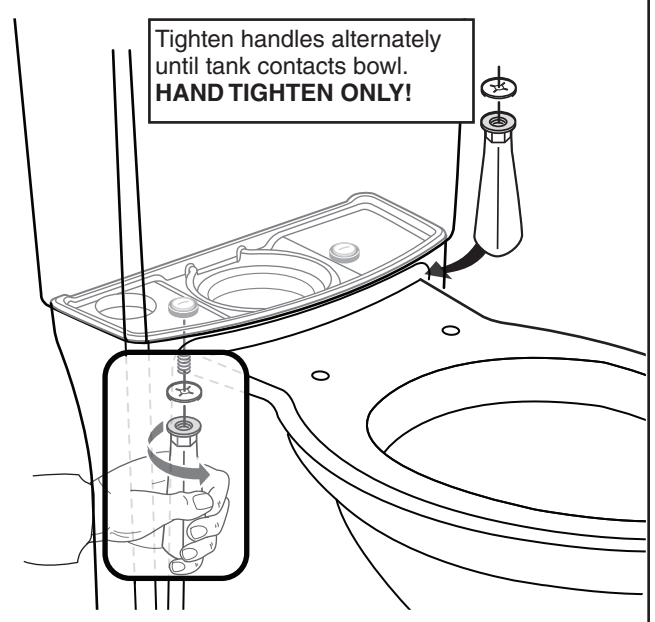
Place the tank gasket over the tank nut ensuring there are not gaps between the gasket and the chinaware.



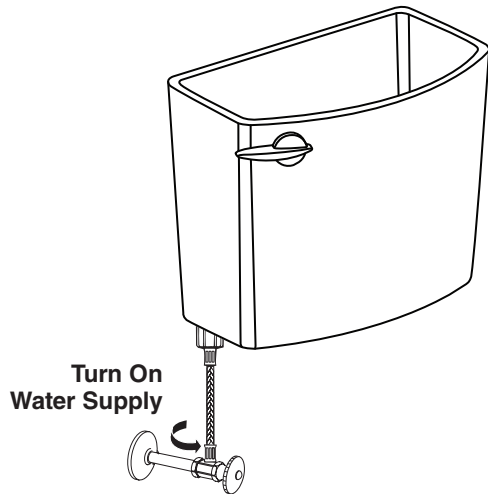
7



8



9

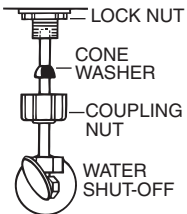


**WARNING: Overtightening of water supply line nuts could result in breakage and potential flooding. If the connection leaks after hand tightening, replace the supply line. Do not use any type of sealant on the water supply connection. Use of plumber's putty, pipe dope, or any other type of sealant will void the warranty.**

10a

Before continuing, determine the type of water supply connection you have from the chart below and use the appropriate assembly parts required to properly reconnect the water supply. **DO NOT** use plumber's putty to seal these fittings.

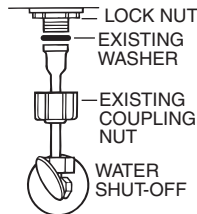
**METAL / COPPER FLARED TUBING**



These parts must be used as illustrated to insure water-tight connection. Use of existing coupling nut may result in water leakage. Water supply tube or pipe must extend at least 1/2" inside threaded shank of valve (does not apply to flanged tubing).

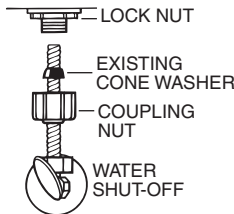
**CAUTION: DO NOT USE CONE WASHER WITH PLASTIC SUPPLY LINE.**

**METAL FLANGED TUBING**



Use existing coupling nut and washer.

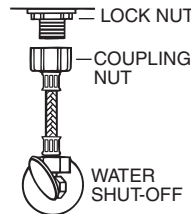
**METAL SPIRAL TUBING**



Use existing spiral cone washer. Fluidmaster cone washer may not seal completely on spiral type supply line.

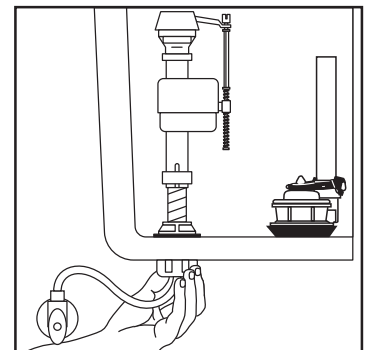
**CAUTION: Overtightening of LOCK NUT or COUPLING NUT could result in breakage and potential flooding.**

**VINYL / BRAIDED CONNECTOR**



Captive cone washers already included. No additional washers needed.

10b



With correct washers in place (see Step 10a), tighten **COUPLING NUT** 1/4 turn beyond hand tight.

**DO NOT OVERTIGHTEN.**

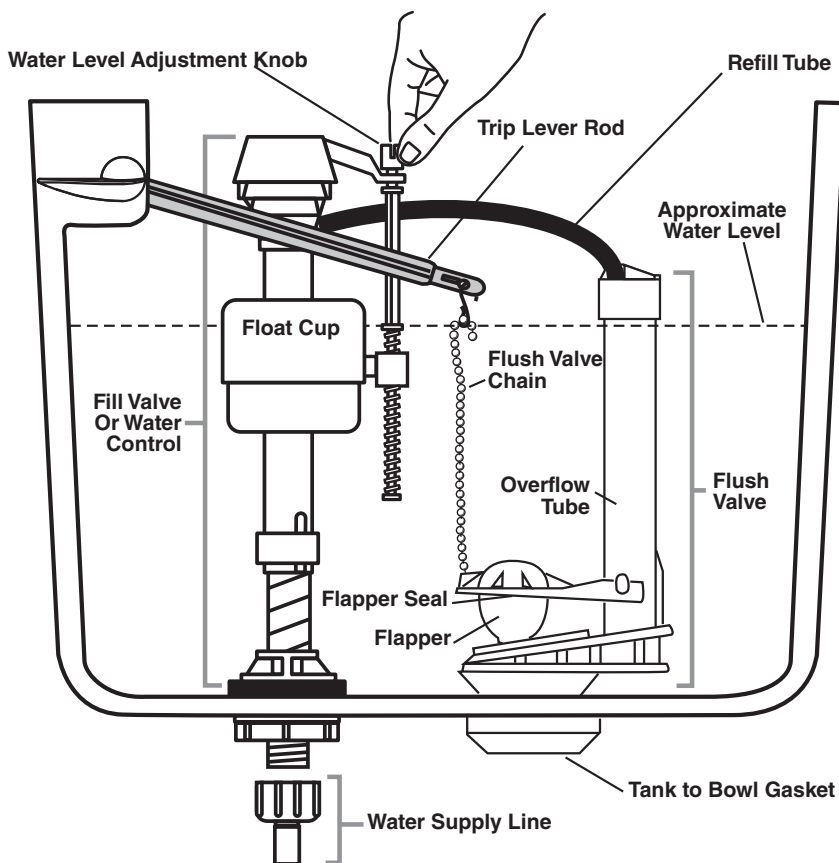
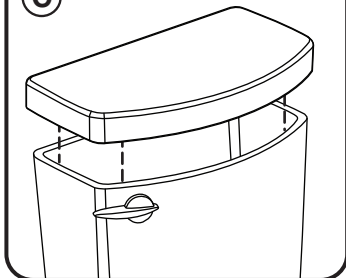
**A**

Turn on water supply.

**B**

Adjust water level to level indicated on tank by turning water level adjustment knob to move float cup up or down.

**C**



**TROUBLESHOOTING GUIDE**

PROBLEM	POSSIBLE CAUSE	CORRECTIVE ACTION
Does not flush	a. Water supply valve closed. b. Supply line blocked.  c. Flush valve chain too loose or disconnected. d. Sand or debris lodged in water control.	a. Open valve and allow water to fill tank. b. Shut off water supply, disconnect supply line and inspect all gaskets and washers. Reassemble. Also, see Fluidmaster maintenance at: <a href="http://www.americanstandard-us.com/enews/fluidmasterguide.pdf">www.americanstandard-us.com/enews/fluidmasterguide.pdf</a> c. Readjust chain length as required. d. Shut off water supply. Remove cap and clean as per Fluidmaster maintenance instructions at: <a href="http://www.americanstandard-us.com/enews/fluidmasterguide.pdf">www.americanstandard-us.com/enews/fluidmasterguide.pdf</a>
Poor or sluggish flush	a. Bowl water level too low. b. Supply valve partly closed. c. Partially clogged trapway and/or drain pipe and/or vent. d. Supply pressure too low.	a. Check that refill tube is connected to water control and inserted into tank overflow without being kinked or damaged. b. Open supply valve fully. Be sure that proper supply tube size is used. c. Remove obstruction. Consult a plumber if necessary. d. Normal supply pressure must be at least 20 psi.
Toilet leaks	a. Poor supply line connection. b. Poor bowl to tank/floor connection.	a. Review Step 10 of installation procedure. b. Review Step 1 through 9 of installation procedure.
Toilet does not shut off	a. Flush valve chain too tight, holding flush valve open. b. Flush valve seat and/or flapper worn or deformed. c. Sand or debris lodged in water control.	a. Readjust chain length as needed. Review Step 11. b. Shut off water supply. Replace flush valve. c. Shut off water supply. Remove cap and clean as per Fluidmaster maintenance instructions at: <a href="http://www.americanstandard-us.com/enews/fluidmasterguide.pdf">www.americanstandard-us.com/enews/fluidmasterguide.pdf</a>

**CARE AND CLEANING:**

When cleaning your toilet, wash it with mild, soapy water, rinse thoroughly with clear water and dry with a soft cloth.

**WARNING:** Do not use in-tank cleaners. These products can seriously corrode fittings in the tank. This damage can cause leakage and property damage.

**American Standard shall not be responsible or liable for any damage caused by the use of in-tank cleaners.**

**In the United States:**

American Standard Brands  
 1 Centennial Ave.  
 Piscataway, New Jersey 08854  
 Attention: Director of Customer Care  
 For residents of the United States, warranty information may also be obtained by calling the following toll free number: (800) 442-1902  
[www.americanstandard.com](http://www.americanstandard.com)

**In Canada:**

LIXIL Canada, ULC  
 5900 Avebury Rd.  
 Mississauga, Ontario  
 Canada L5R 3M3  
  
 Toll Free: (800) 387-0369  
[www.americanstandard.ca](http://www.americanstandard.ca)

**In Mexico:**

American Standard B&K Mexico  
 S. de R.L. de C.V.  
 Via Morelos #330  
 Col. Santa Clara  
 Ecatepec 55540 Edo. Mexico  
  
 Toll Free: 01-800-839-1200  
[www.americanstandard.com.mx](http://www.americanstandard.com.mx)