

RiobelPRO®

SPECIFICATIONS

DESCRIPTION

- 150 cm (59") double interlock flexible hose, swivel and 2 check valves
- Ø25 mm (1") slide bar
- Scale-free
- 3-jet hand shower

FLOW

- 7.6 L/min (2 gpm) (80psi) max / 5.7 L/min (1.5 gpm) (45 psi) min
- 5.7L/min (1.5 gpm) (80psi) max / 4.2 L/min (1.1gpm) (45 psi) min (P5002-15)
- 6.8L/min (1.8 gpm) (80psi) max / 5.1 L/min (1.3gpm) (45 psi) min (P5002-WS)

STANDARDS

- ASME A112.18.1 / CSA B125.1

WARRANTY

- Most products or parts carry "Limited Warranties" against manufacturing defects. Please visit <https://riobelpro.ca/en/warranties> for complete product and finish warranty.



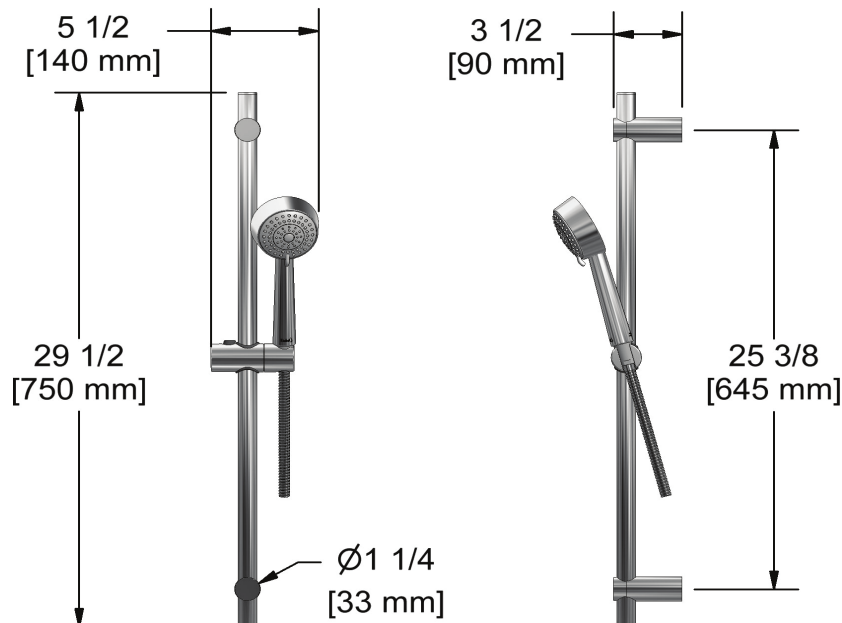
Hand shower rail

MODELS: P5002



UPC®

Certified by IAPMO R&T



For warranty or additional information, contact:

ONTARIO / WESTERN CANADA
ONTARIO / QUEST CANADIEN
ONTARIO / CANADA OCCIDENTAL
riobelpro.ca/en/contact
1-800-287-5354

QUEBEC / MARITIMES
QUÉBEC / MARITIMES
QUEBEC / MARITIMOS
riobelpro.ca/fr/contact
1-866-473-8442