

SPECIFICATIONS		WhisperGreen Select (Fan/LED Light Models)												WhisperGreen Select (Fan/LED Light Models)												WhisperGreen Select (Fan/LED Light Models)																										
		Base Fan with LED Light						Base Fan with LED Light and Integrated Multi-Speed						Base Fan with LED Light and Multi-Speed Plug 'N Play Module																																						
Characteristics (HVI tested data for 0.1" S.P.)	Static Pressure in inches w.g.	FV-05-11VKL1						FV-11-15VKL1						FV-05-11VKSL1						FV-11-15VKL1 + FV-VS15VK1																																
		0.1	0.25	0.1	0.25	0.1	0.25	0.1	0.25	0.1	0.25	0.1	0.25	0.1	0.25	0.1	0.25	0.1	0.25	0.1	0.25	0.1	0.25	0.1	0.25																											
Air Volume (CFM)		110	114	80	86	50	53	150	143	130	131	110	111	110	114	100	105	90	94	80	86	70	71	60	62	50	53	40	43	30	35	150	143	130	131	120	122	110	111	100	102	90	90	80	82	70	71	60	62	50	52	
Noise (sones)		0.4	0.9	<0.3	0.6	<0.3	<0.3	0.6	0.9	<0.3	0.8	<0.3	0.6	0.4	0.9	<0.3	0.8	<0.3	0.6	<0.3	0.6	<0.3	0.4	<0.3	0.3	<0.3	<0.3	<0.3	<0.3	<0.3	<0.3	<0.3	0.6	0.9	<0.3	0.8	<0.3	0.6	<0.3	0.6	<0.3	0.5	<0.3	0.4	<0.3	0.4	<0.3	0.3	<0.3	0.3	<0.3	0.4
Power Consumption (watts)		11.1	18.0	6.0	11.1	4.0	7.0	16.5	24.0	12.0	21.0	8.5	16.0	11.1	18.0	8.7	15.0	7.0	12.8	6.0	11.1	4.7	8.9	3.9	7.6	4.0	7.0	2.8	5.7	2.5	5.0	16.5	24.0	12.0	21.0	9.5	16.9	8.5	16.0	6.9	13.5	5.7	11.6	5.0	10.4	4.3	8.8	4.0	7.9	3.2	7.2	
Energy Efficiency (CFM/Watt)		9.9	6.3	13.3	7.7	12.8	7.7	9.2	6.0	10.9	6.3	13.1	7.1	9.9	6.3	11.6	7.1	13.1	7.5	13.3	7.7	15.3	8.2	15.9	8.4	12.8	7.7	14.6	7.7	12.8	7.4	9.2	6.0	10.9	6.3	12.8	7.3	13.1	7.1	14.8	7.7	16.0	7.8	16.0	7.9	16.3	8.1	15.5	8.1	16.3	7.5	
Speed (RPM)		960	1237	837	1157	740	1081	730	941	679	926	652	914	960	1237	926	1213	872	1184	837	1157	796	1119	769	1102	740	1081	739	1077	731	1058	730	941	679	926	669	917	652	914	644	923	631	917	633	918	624	904	634	910	607	928	
Current (amps)		0.12	0.17	0.07	0.12	0.04	0.07	0.16	0.22	0.12	0.19	0.08	0.15	0.12	0.17	0.09	0.15	0.08	0.13	0.07	0.12	0.05	0.09	0.05	0.08	0.04	0.07	0.04	0.06	0.03	0.06	0.16	0.22	0.12	0.19	0.10	0.17	0.08	0.15	0.07	0.14	0.06	0.12	0.06	0.11	0.05	0.09	0.05	0.08	0.04	0.08	
MAX. Current(amps)		0.42						0.48						0.42						0.48																																
Power Rating (V/Hz)		120/60						120/60						120/60						120/60																																
Motor Type		DC						DC						DC						DC																																
Type of Motor Bearing		Ball						Ball						Ball						Ball																																
Thermal Fuse Protection		Yes						Yes						Yes						Yes																																
Blower Wheel Type		Sirocco						Sirocco						Sirocco						Sirocco																																
ENERGY STAR Qualified		Yes						Yes						Yes						Yes																																
Duct Diameter (Inches)		4 (102) & 6 (152)						6 (152)						4 (102) & 6 (152)						6 (152)																																
Housing Dimensions (LxWxH) - inches (mm)		10-1/4 x 10-1/4 x 7-3/8 (260 x 260 x 187)						10-1/4 x 10-1/4 x 7-3/8 (260 x 260 x 187)						10-1/4 x 10-1/4 x 7-3/8 (260 x 260 x 187)						10-1/4 x 10-1/4 x 7-3/8 (260 x 260 x 187)																																
Grille Size - in ² (mm ²)		13 (330)						13 (330)						13 (330)						13 (330)																																
Lamp Watts		2 x 7W						2 x 7W						2 x 7W						2 x 7W																																
Lumens (lm)		550lm per lamp*						550lm per lamp*						550lm per lamp*						550lm per lamp*																																
Lumens Per Watt (LPW)		80LPW*						80LPW*						80LPW*						80LPW*																																
Colour Rendering Index		>80						>80						>80						>80																																
Colour Temperature (Kelvin)		3000K						3000K						3000K						3000K																																
Rated Life (hours)		40,000						40,000						40,000						40,000																																
Lamp Model #		LPHT7						LPHT7						LPHT7						LPHT7																																
Type of Lamp Socket		GU24						GU24						GU24						GU24																																
Night Light Specs	Night Light Watts	N/A**						N/A**						N/A**						N/A**																																
Shipping	Gross Weight - lbs (kg)	14.55 (6.6)						14.77 (6.7)						14.33 (6.5)						14.77 (6.7)																																
Approved Code/Standard/Regulation	cUL tub/Shower Enclosure	Yes						Yes						Yes						Yes																																
	Mfg in ISO 9001 Certified Facility	Yes						Yes						Yes						Yes																																

Design and specifications subject to change without notice. NOTE: 0.25" w.g. = Installed Performance *Light specs may change. **NiteGlow™ LED Night Light module is available.



LED Lighting

WhisperGreen Select™ fan/light models feature a contemporary flush mount grille that incorporates 2 replaceable, ENERGY STAR rated, 7W GU24 base LED lamps. Panasonic's advanced LED technology lasts 4 times longer than compact fluorescent lamps and does not contribute to mercury waste when disposed.

Panasonic

Panasonic Canada Inc.
5770 Ambler Drive, Mississauga, ON L4W 2T3
Phone (800) 669-5165 Fax (905) 238-2414
Email: ventilationfans@ca.panasonic.com
panasonic.com



As an ENERGY STAR® Partner, Panasonic has determined that this product meets the ENERGY STAR® Guidelines for energy efficiency.



WGS-05-2014 EN



Unique Plug'N Play™ modules provide a customizable solution that is revolutionizing the ventilation fan industry.

- Customizable, all-in-one fan and fan/LED light combinations
- Pick-A-Flow™ speed selector – one fan, you choose the CFM
- Unique Plug'N Play™ modules provide up to three value added features
- Revolutionary DC motor with SmartFlow™ technology ensures optimal CFM output
- Replaceable, GU24 base LED lamps provide warm, energy efficient illumination
- Flex-Z Fast™ bracket provides flexible, fast and easy installation
- Can be used to comply with ASHRAE 62.2, LEED for Homes, and ENERGY STAR® for Homes 3.0
- Integrated dual 4" or 6" duct adaptor (up to 110 CFM models)
- Built-in metal flange provides blocking for penetrations through drywall as an air barrier, and assists with the decrease in leakage in the building envelope during blower door testing
- Fits in 2 x 8 construction
- Protected by UL Class 2 Power Unit
- cUL listed for tub/shower enclosure when used with a GFCI protected circuit
- 6-year warranty on DC motor, 5-years on LED, 3-years on parts

The all-purpose, customizable IAQ solution for virtually any application

WhisperGreen Select™ is a ground-breaking IAQ solution that is revolutionizing the ventilation fan industry with a new set of features that enable customization and easier installation. To the builder and professional installer, Panasonic continues to be the innovation leader with high performance ventilation solutions that are built to last. WhisperGreen Select's unique design and superior energy efficiency are achieved through engineering expertise, provided by a company that sets the standard for quality and value.

WHISPERGREEN SELECT™ IS AS EASY AS 1-2-3!

Step 1: Select a Base Fan Model

Select a base model to start building the perfect IAQ solution that satisfies your ventilation design requirements.

Fan	Fan/Light
FV-05-11VKS1: 30 to 110 CFM integrated multi-speed	FV-05-11VKSL: 30 to 110 CFM integrated multi-speed + LED Light
FV-05-11VK1: 50-80-110 CFM single speed	FV-05-11VKL1: 50-80-110 CFM single speed + LED Light
FV-11-15VK1: 110-130-150 CFM single speed	FV-11-15VKL1: 110-130-150 CFM single speed + LED Light

Pick-A-Flow™ Speed Technology

Built-in Pick-A-Flow™ speed selector – one fan, you choose the CFM. This technology provides the unique ability to select your required airflow (50-80-110 and 110-130-150 CFM models) with the simple flip of a switch.

Step 2: Select Value Added Features*

WhisperGreen Select™ offers a unique set of Four* patented modules that allow you to further customize your fan:



Multi-Speed with Time Delay (FV-VS15VK1) – Allows you to select the proper CFM settings to satisfy ASHRAE 62.2 continuous ventilation requirements. The fan runs continuously at a pre-set lower level, then elevates to a maximum level of operation when the wall switch is turned on, or when the SmartAction® motion sensor or condensation sensor module is activated. A High/Low delay timer returns the fan to the pre-set CFM level after a period of time set by the user.



Condensation Sensor (FV-CSVK1) – Helps control bathroom condensation to prevent mold and mildew. Advanced sensor technology detects relative humidity and temperature to anticipate dew point, automatically turning the fan on to control humidity. Built-in Relative Humidity (RH) sensitivity adjustment enables fine tuning for moist conditions. When the condensation sensor is used in conjunction with multi-speed functionality, the fan will increase to high speed when the condensation sensor detects moisture in the room. This module also activates an automatic 20-minute delay off timer for the fan.



NiteGlow™ LED Night Light (FV-NLVK1) – A specialized photocell feature automatically turns on the 1-watt LED night-light when darkness is sensed in the room. The High/Low brightness switch enables you to fine tune the photo cell to work in conjunction with the darkness level of your bathroom.



SmartAction® Motion Sensor (FV-MSVK1) – Automatically activates when someone enters the room. Once the settings have been applied, the fan becomes truly automatic, making it ideal for people with disabilities and assisted living environments such as nursing homes and retirement communities. This module also activates an automatic 20-minute delay off timer for the fan.

*Select up to 3 value added features.

Step 3: Install Your Ideal Fan with the New Flex-Z Fast™ Installation System

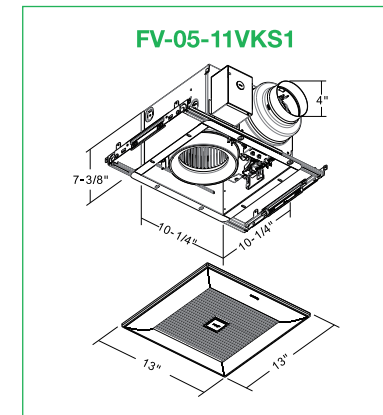
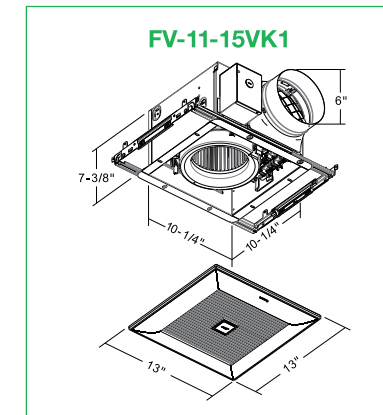
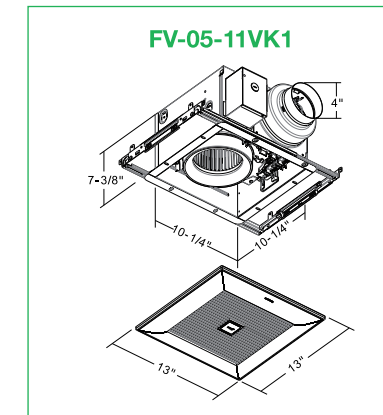
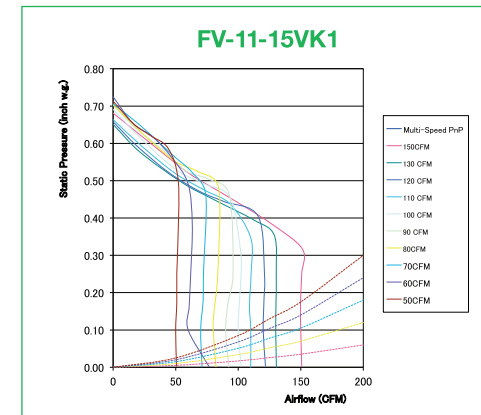
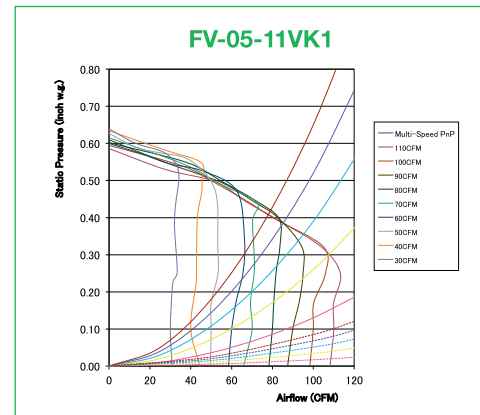


Ingeniously designed installation bracket provides flexible, fast and easy installation for all your new construction or renovation projects.

Fold up articulating joints to easily position bracket in between the joist and/or through ceiling hole.

Fold articulating joints back down in preparation for installation.

Extend bracket to desired length.



SPECIFICATIONS		WhisperGreen Select (Fan Only Models)											
		Base Fan											
		FV-05-11VK1						FV-11-15VK1					
Characteristics (HVI tested data for 0.1" S.P.)	Static Pressure in inches w.g.	0.1	0.25	0.1	0.25	0.1	0.25	0.1	0.25	0.1	0.25	0.1	0.25
	Air Volume (CFM)	110	113	80	82	50	53	150	151	130	130	110	110
	Noise (sones)	<0.3	0.8	<0.3	0.4	<0.3	0.3	<0.3	0.7	<0.3	0.5	<0.3	<0.3
	Power Consumption (watts)	9.8	16.1	5.5	10.2	3.5	7.0	13.0	22.0	10.0	17.0	7.0	13.5
	Energy Efficiency (CFM/Watt)	11.5	7.2	15.3	8.4	15.1	8.1	11.5	6.8	13.1	7.8	15.7	8.2
	Speed (RPM)	931	1205	814	1131	747	1072	664	904	635	891	616	889
	Current (amps)	0.10	0.16	0.06	0.10	0.04	0.07	0.13	0.21	0.10	0.17	0.07	0.13
	MAX. Current(amps)	0.27						0.33					
	Power Rating (V/Hz)	120/60						120/60					
	Specifications	Motor Type	DC						DC				
Type of Motor Bearing		Ball						Ball					
Thermal Fuse Protection		Yes						Yes					
Blower Wheel Type		Sirocco						Sirocco					
ENERGY STAR Qualified		Yes						Yes					
Duct Diameter - inches (mm)		4 (102) & 6 (152)						6 (152)					
Installation	Housing Dimensions (LxWxH) - inches (mm)	10-1/4 x 10-1/4 x 7-3/8 (260 x 260 x 187)						10-1/4 x 10-1/4 x 7-3/8 (260 x 260 x 187)					
	Grille Size - in ² (mm ²)	13 (330)						13 (330)					
Light Specifications	Lamp Watts	N/A						N/A					
	Lumens (lm)	N/A						N/A					
	Lumens Per Watt (LPW)	N/A						N/A					
	Colour Rendering Index	N/A						N/A					
	Colour Temperature (Kelvin)	N/A						N/A					
	Rated Life (hours)	N/A						N/A					
	Lamp Model #	N/A						N/A					
	Type of Lamp Socket	N/A						N/A					
Night Light Specs	Night Light Watts	N/A						N/A					
Shipping	Gross Weight - lbs (kg)	11.9 (5.4)						13.45 (6.1)					
	Approved Code/Standard/Regulation	cUL tub/Shower Enclosure						Yes					
	Mfg in ISO 9001 Certified Facility	Yes						Yes					

SPECIFICATIONS		WhisperGreen Select (Fan Only Models)																	
		Base Fan with Integrated Multi-Speed																	
		FV-05-11VKS1																	
Characteristics (HVI tested data for 0.1" S.P.)	Static Pressure in inches w.g.	0.1	0.25	0.1	0.25	0.1	0.25	0.1	0.25	0.1	0.25	0.1	0.25	0.1	0.25	0.1	0.25	0.1	0.25
	Air Volume (CFM)	110	113	100	106	90	95	80	82	70	71	60	66	50	53	40	43	30	33
	Noise (sones)	<0.3	0.8	<0.3	0.7	<0.3	0.6	<0.3	0.4	<0.3	0.4	<0.3	0.3	<0.3	0.3	<0.3	<0.3	<0.3	<0.3
	Power Consumption (watts)	9.8	16.1	8.0	14.0	6.5	11.7	5.5	10.2	4.3	8.6	3.6	7.8	3.5	7.0	2.7	5.7	2.4	5.0
	Energy Efficiency (CFM/Watt)	11.5	7.2	13.0	7.9	14.5	8.5	15.3	8.4	17.2	8.7	17.5	8.8	15.1	8.1	16.3	8.2	14.2	7.6
	Speed (RPM)	931	1205	895	1179	852	1146	814	1131	772	1112	750	1107	747	1072	731	1073	718	1062
	Current (amps)	0.10	0.16	0.09	0.14	0.07	0.12	0.06	0.10	0.05	0.09	0.04	0.08	0.04	0.07	0.08	0.06	0.03	0.06
	MAX. Current(amps)	0.27																	
	Power Rating (V/Hz)	120/60																	
	Specifications	Motor Type	DC																
Type of Motor Bearing		Ball																	
Thermal Fuse Protection		Yes																	
Blower Wheel Type		Sirocco																	
ENERGY STAR Qualified		Yes																	
Duct Diameter - inches (mm)		4 (102) & 6 (152)																	
Installation	Housing Dimensions (LxWxH) - inches (mm)	10-1/4 x 10-1/4 x 7-3/8 (260 x 260 x 187)																	
	Grille Size - in ² (mm ²)	13 (330)																	
Light Specifications	Lamp Watts	N/A																	
	Lumens (lm)	N/A																	
	Lumens Per Watt (LPW)	N/A																	
	Colour Rendering Index	N/A																	
	Colour Temperature (Kelvin)	N/A																	
	Rated Life (hours)	N/A																	
	Lamp Model #	N/A																	
	Type of Lamp Socket	N/A																	
Night Light Specs	Night Light Watts	N/A																	
Shipping	Gross Weight - lbs (kg)	11.90 (5.4)																	
	Approved Code/Standard/Regulation	Yes																	
	Mfg in ISO 9001 Certified Facility	Yes																	

SPECIFICATIONS		WhisperGreen Select (Fan Only Models)																							
		Base Fan with Multi-Speed Plug 'N Play Module																							
		FV-11-15VK1 + FV-VS15VK1																							
Characteristics (HVI tested data for 0.1" S.P.)	Static Pressure in inches w.g.	0.1	0.25	0.1	0.25	0.1	0.25	0.1	0.25	0.1	0.25	0.1	0.25	0.1	0.25	0.1	0.25	0.1	0.25	0.1	0.25	0.1	0.25	0.1	0.25
	Air Volume (CFM)	150	151	130	130	120	121	110	110	100	102	90	96	80	84	70	72	60	62	50	51				
	Noise (sones)	<0.3	0.7	<0.3	0.5	<0.3	0.4	<0.3	<0.3	<0.3	<0.3	<0.3	<0.3	<0.3	0.4	<0.3	0.4	<0.3	0.4	<0.3	0.4	<0.3	0.4		
	Power Consumption (watts)	13.0	22.0	10.0	17.0	7.4	14.1	7.0	13.5	5.6	11.3	4.9	10.7	4.4	9.6	3.8	8.6	3.6	7.7	3.1	6.8				
	Energy Efficiency (CFM/Watt)	11.5	6.8	13.1	7.8	16.2	8.6	15.7	8.2	17.9	9.0	18.6	9.0	18.2	8.8	18.4	8.4	16.7	8.1	16.1	7.5				
	Speed (RPM)	664	904	635	891	615	884	616	889	603	886	595	891	604	911	602	918	622	919	616	928				
	Current (amps)	0.13	0.21	0.10	0.17	0.08	0.14	0.07	0.13	0.06	0.11	0.06	0.11	0.05	0.10	0.05	0.09	0.04	0.08	0.04	0.07				
	MAX. Current(amps)	0.33																							
	Power Rating (V/Hz)	120/60																							
	Specifications	Motor Type	DC																						
Type of Motor Bearing		Ball																							
Thermal Fuse Protection		Yes																							
Blower Wheel Type		Sirocco																							
ENERGY STAR Qualified		Yes																							
Duct Diameter - inches (mm)		6 (152)																							
Installation	Housing Dimensions (LxWxH) - inches (mm)	10-1/4 x 10-1/4 x 7-3/8 (260 x 260 x 187)																							
	Grille Size - in ² (mm ²)	13 (330)																							
Light Specifications	Lamp Watts	N/A																							
	Lumens (lm)	N/A																							
	Lumens Per Watt (LPW)	N/A																							
	Colour Rendering Index	N/A																							
	Colour Temperature (Kelvin)	N/A																							
	Rated Life (hours)	N/A																							
	Lamp Model #	N/A																							
	Type of Lamp Socket	N/A																							
Night Light Specs	Night Light Watts	N/A																							
Shipping	Gross Weight - lbs (kg)	13.45 (6.1)																							
	Approved Code/Standard/Regulation	Yes																							
	Mfg in ISO 9001 Certified Facility	Yes																							

Design and specifications subject to change without notice. NOTE: 0.25" w.g. = Installed Performance

Installed Performance and Quiet Operation at .25" w.g. Static Pressure

ASHRAE, ENERGY STAR®, LEED for Homes, and HVI have set the industry standard for performance measurement at 0.25" w.g. The WhisperGreen Select™ fans not only provide powerful CFM output at 0.25" w.g., but our sones have also been certified at 0.25" w.g. so they are quiet under pressure and after installation.



DC Motor with SmartFlow™ Technology

WhisperGreen Select™ features the same revolutionary DC motor that comes with our WhisperGreen line of products. With built-in SmartFlow™ technology, WhisperGreen Select™ is designed to perform as rated. When the fan senses static pressure, its speed is automatically increased to ensure optimal CFM output. This feature provides peace of mind, as the installer doesn't have to worry about compromising the fan's performance.



ADJUSTABLE AIRFLOW FOR MAXIMUM PERFORMANCE