

Saniflo SFA GROUP

Install a bathroom anywhere!



PRODUCT / PROFESSIONAL
C A T A L O G





**Saniflo is looking
for installers in your area.
Our plumbing solutions
make you more money!**

Offer your customers the best macerating and grinding pump systems to build their dream bathroom. Saniflo offers the most reliable and cost-effective solutions for any residential or commercial applications.



Get your company listed on our website



**Learn more about our solutions with
our FREE product training**



**Enjoy more business coming from
yearlong TV and social media**



**Generated leads sent to you as
preferred installers**



Discount on spare parts

Become a Saniflo preferred installer

by signing up online, or scanning the QR code and
completing the form, or by simply calling us.



Saniflo  **SFA** GROUP

US 800-571-8191
saniflo.com

CDN 800-363-5874
saniflo.ca

SANIFLO

SANIFLO'S TOILET SYSTEMS

White Round bowl
with insulated toilet tank
Toilet: Part # 083 - Tank: Part # 005

White Elongated bowl*
with insulated toilet tank
Toilet: Part # 087 - Tank: Part # 005
*ADA compliant.

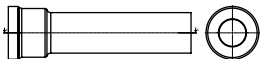


TYPES OF INSTALLATION

OPTION 1 - Installation with the pump and pipes behind the wall (To achieve this installation, use our extension pipe referenced below).



Extension pipe includes paintable decorative trim that surrounds the pipe and provides a perfect finish.



EXTENSION PIPE

An 18" Saniflo extension pipe is available if installing the macerator unit behind a wall. When using the extension pipe, the toilet should be raised 3/8" for additional gravity flow toward the macerator.

OPTION 2 - Installation with the pump behind the toilet.



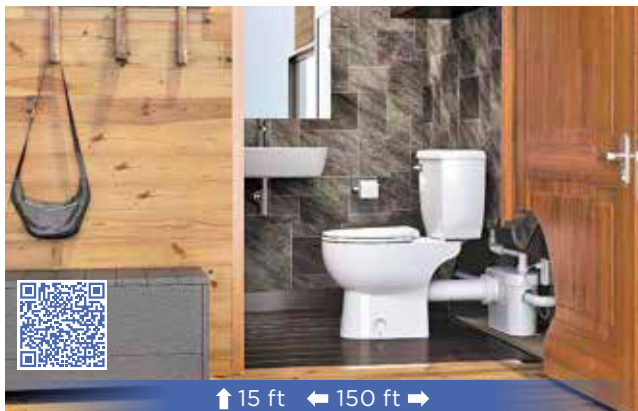
Saniaccess[®] 2

Part N° 081

Macerating pump for half bathrooms



- Quietest and most compact macerator available.
- Macerating blade for residential applications.
- Connect rear discharge toilet, lavatory, and vent pipe.
- Two access panels allow for easy servicing, no disconnections required.



↑ 15 ft ← 150 ft →

Discharge rate at 15':

17 gal/min (66 liters/min)

Discharge rate at 3':

27 gal/min (103 liters/min)

Discharge pipe diameter:

3/4" or 1"

Power/Ampage:

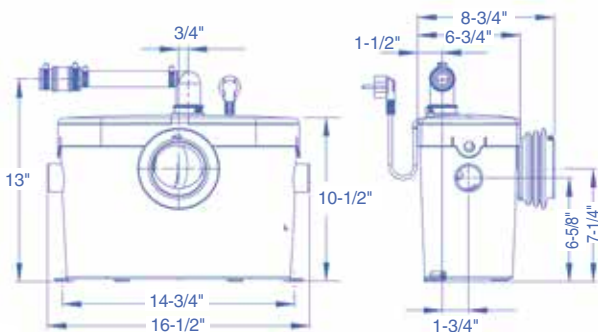
115V / 60 Hz / 4.5 A

HP:

0.5

Temperature:

104°F (110°F Max.)



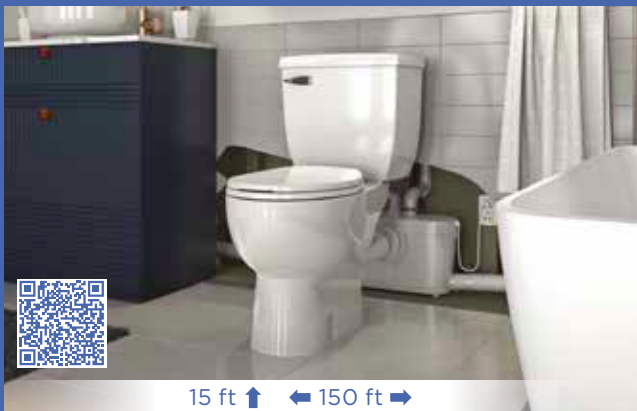
Saniaccess[®] 3

Part N° 082

Macerating pump for full bathrooms



- Macerating blade for residential applications.
- Connect rear discharge toilet, lavatory, shower, and vent pipe.
- Two access panels allow for easy servicing, no disconnections required.



Discharge rate at 15':

17 gal/min (66 liters/min)

Discharge rate at 3':

27 gal/min (103 liters/min)

Discharge pipe diameter:

3/4" or 1"

Power/Amperage:

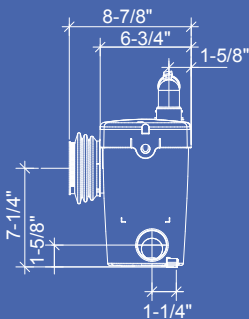
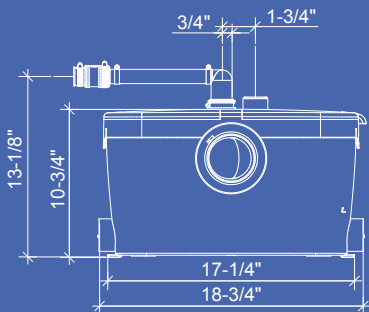
115V / 60 Hz / 4.5 A

HP:

0.5

Temperature:

104°F (110°F Max.)

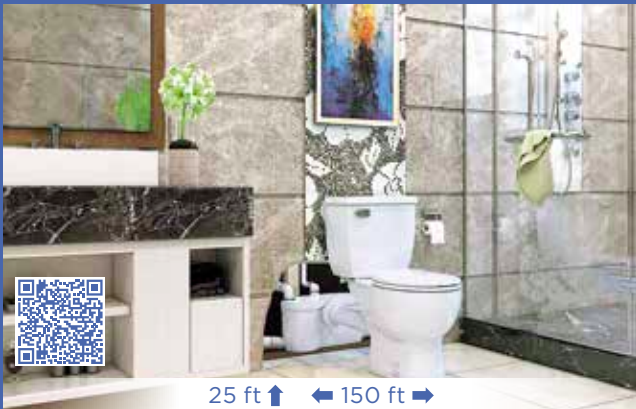


Sanibest[®] Pro

Part N° 013

Grinder pump for full bathrooms with heavy usage

- Grinder blade for heavy duty residential as well as commercial applications.
- Connect rear discharge toilet, lavatory, shower/bathtub, and vent pipe.
- Washing machine may be connected indirectly using laundry tray.
- Access panel allows for easy servicing, no disconnections required.
- Designed to handle problem items such as baby wipes and feminine products.



25 ft ↑ ← 150 ft →

Discharge rate at 25':
19 gal/min (72 liters/min)

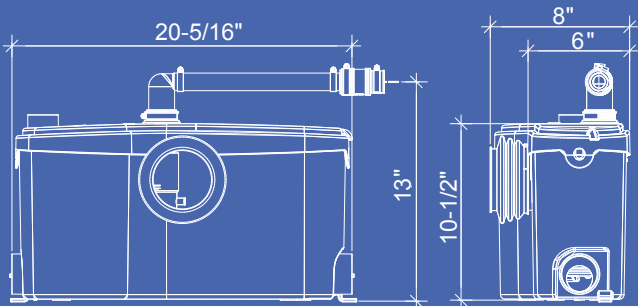
Discharge rate at 3':
38 gal/min (145 liters/min)

Discharge pipe diameter:
3/4" or 1"

Power/Amperage:
115V / 60 Hz / 9 A

HP:
1

Temperature:
104°F (110°F Max.)

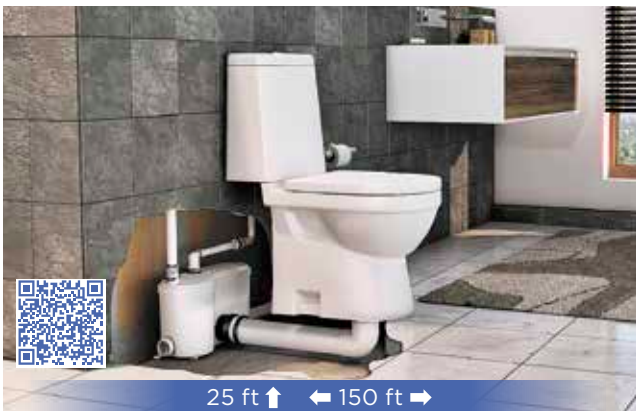


Sanigrind® Pro

Part N° 014

Grinder pump for full bathrooms with heavy usage

- Grinder blade for heavy duty residential as well as commercial applications.
- Connect standard bottom outlet toilet, lavatory, shower/bathtub, and vent pipe.
- Washing machine may be connected indirectly using laundry tray.
- Access panel allows for easy servicing, no disconnections required.
- Designed to handle problem items such as baby wipes and feminine products.



Discharge rate at 25':
19 gal/min (72 liters/min)

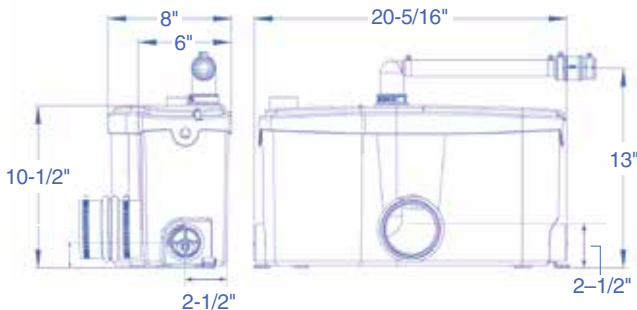
Discharge rate at 3':
38 gal/min (145 liters/min)

Discharge pipe diameter:
3/4" or 1"

Power/Amperage:
115V / 60 Hz / 9 A

HP:
1

Temperature:
104°F (110°F Max.)



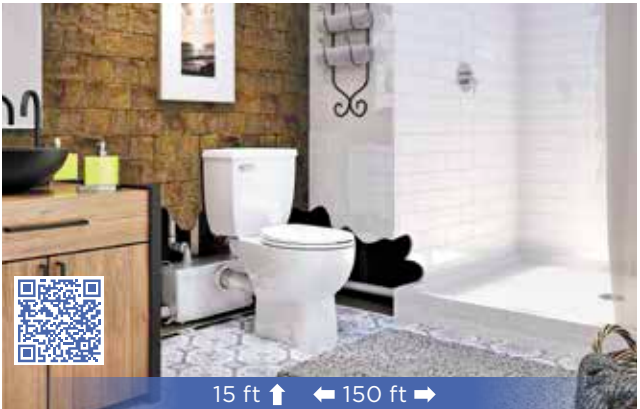
Saniplus[®]

Part N° 002

Macerating pump for full bathrooms



- Macerating blade for residential applications.
- Connect rear discharge toilet, lavatory, shower, and vent pipe.



15 ft ↑ ← 150 ft →

Discharge rate at 15':

17 gal/min (66 liters/min)

Discharge rate at 3':

27 gal/min (103 liters/min)

Discharge pipe diameter:

3/4" or 1"

Power/Amperage:

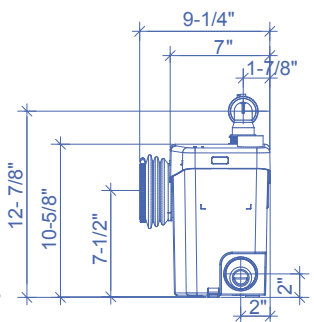
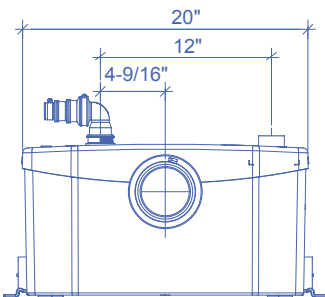
115V / 60 Hz / 4.5 A

HP:

0.5

Operating temperature:

104°F (110°F Max.)



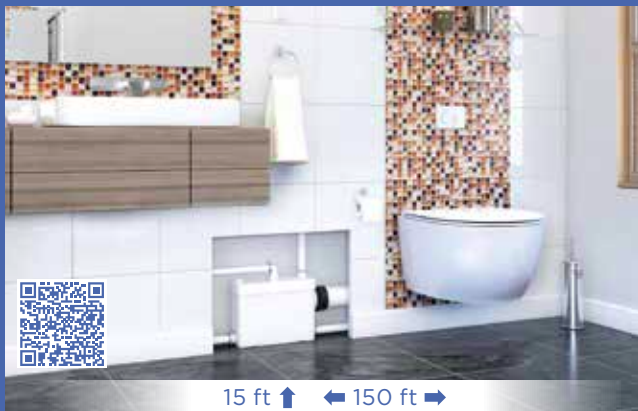
Sanipack[®]

Part N° 011

Macerating pump for full bathrooms



- Macerating blade for residential applications.
- Connect rear discharge toilet, lavatory, shower, and vent pipe.
- Designed to work with wall-hung systems not supplied by Saniflo.



15 ft ↑ ← 150 ft →

Discharge rate at 15':

17 gal/min (66 liters/min)

Discharge rate at 3':

27 gal/min (103 liters/min)

Discharge pipe diameter:

3/4" or 1"

Power/Amperage:

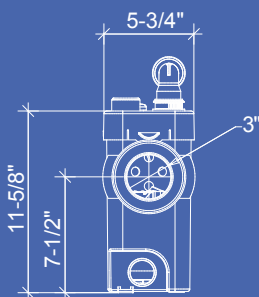
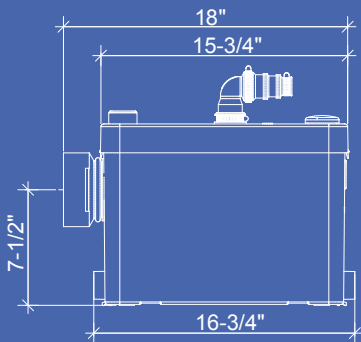
115V / 60 Hz / 4.5 A

HP:

0.5

Temperature:

104°F (110°F Max.)



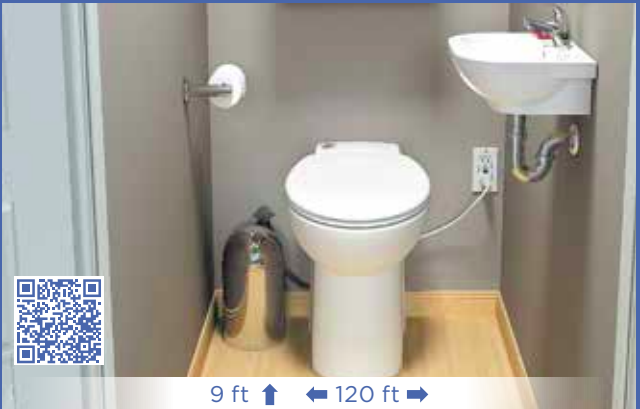
Sanicompact[®]

Part N° 023

**Macerating self-contained toilet system
for half bathrooms**



- Macerating blade for residential applications.
- Standard dual flush version uses 1 and 1.28 gpf.
- Floor-mounted toilet has been designed with an internal one-way vent built into the system eliminating the need of an external vent.



Discharge rate at 9':
13 gal/min (49 liters/min)

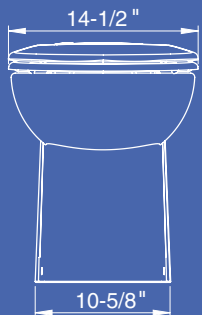
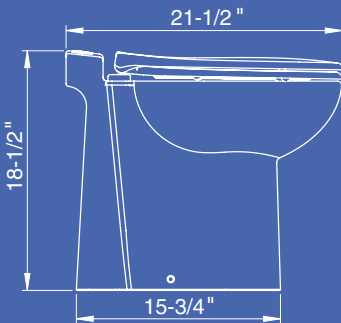
Discharge rate at 3':
24 gal/min (91 liters/min)

Discharge pipe diameter:
1"

Power / Amperage:
115V / 60 Hz / 6.8 A

HP:
0.5

Temperature:
95°F (110°F Max.)



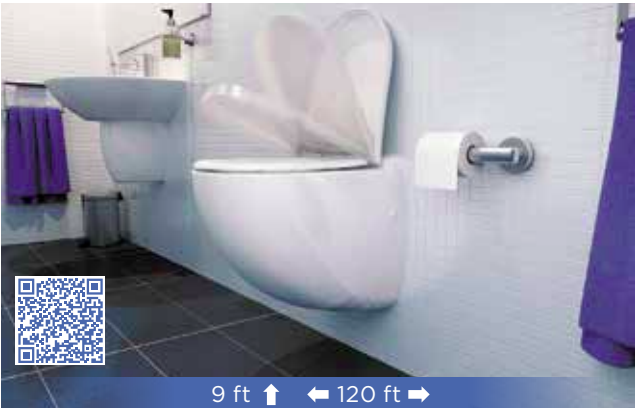
Sanicompact® Comfort

Part N° 020

**Macerating self-contained toilet system
for half bathrooms**



- Macerating blade for residential applications.
- Standard dual flush version uses 1 and 1.28 gpf.
- Wall-hung toilet has been designed with an internal one-way vent built into the system eliminating the need of an external vent.



9 ft ↑ ← 120 ft →

Discharge rate at 9':
13 gal/min (49 liters/min)

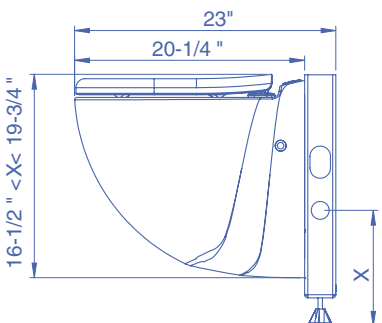
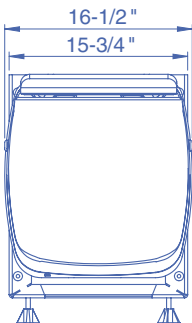
Discharge rate at 3':
24 gal/min (91 liters/min)

Discharge pipe diameter:
1"

Power / Amperage:
115V / 60 Hz / 6.8 A

HP:
0.5

Temperature:
95°F (110°F Max.)



Sanicom[®] 2

Part N° 028

**Duplex high temp drain pump
for commercial applications**



- Pre-assembled system with 2" low inlets capable of handling multiple fixtures simultaneously.
- Superior water detection (air pressure switches) with fail-proof system giving a longer life expectancy without any maintenance.



32 ft ↑ ← 390 ft →

Discharge rate at 32':

81 gal/min (307 liters/min)
(Both motors in operation)

Discharge rate at 3':

140 gal/min (530 liters/min)
(Both motors in operation)

Discharge pipe diameter:

1-1/2"

Power / Amperage:

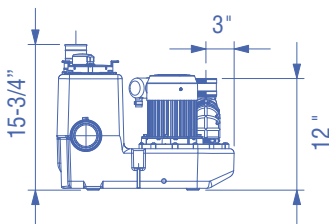
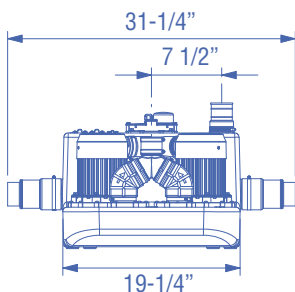
220-240V / 60 Hz / 16 A

HP:

2 x 2HP

Temperature:

194°F Max.



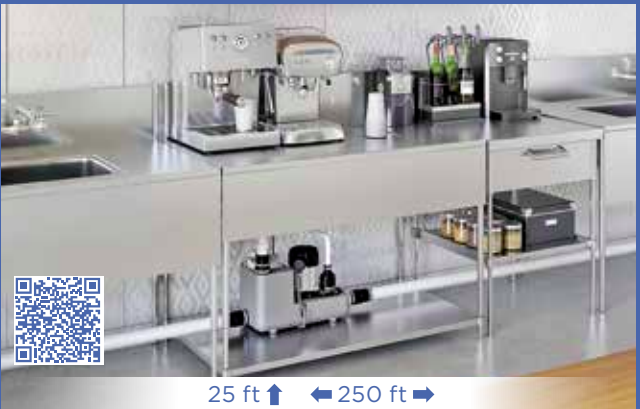
Sanicom[®] 1

Part N° 018

**Simplex high temp drain pump
for residential/commercial applications**



- Powerful 1.3-HP drain pump handling up to 194°F in commercial and residential applications.
- Superior water detection (air pressure switches) with fail-proof system giving a longer life expectancy without any maintenance.



Discharge rate at 25':
23 gal/min (87 liters/min)

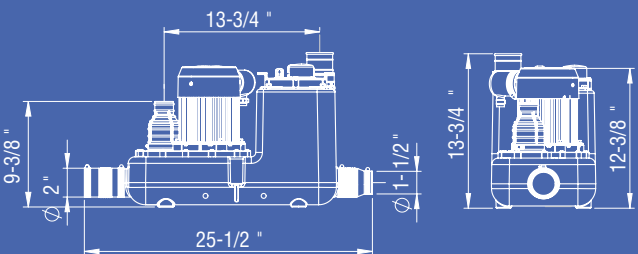
Discharge rate at 3':
50 gal/min (189 liters/min)

Discharge pipe diameter:
1"

Power/Amperage:
115V / 60 Hz / 8.3 A

HP:
1.3

Temperature:
194°F Max.



Sanivite®

Part N° 008

**Heavy-duty drain pump
for residential/commercial applications**



- Pumps gray water away from kitchen sink applications as it can handle hot water and grease buildup.
- Pre-assembled system with low 2" inlets and built-in check valves for various installations.



Discharge rate at 16':
18 gal/min (68 liters/min)

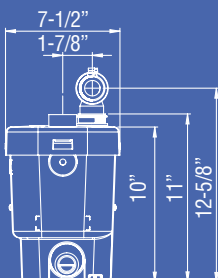
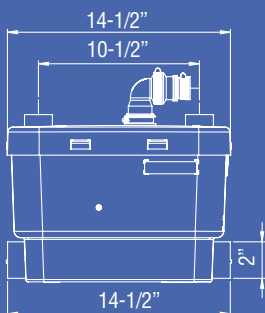
Discharge rate at 3':
29 gal/min (110 liters/min)

Discharge pipe diameter:
1" - 1-1/2"

Power/Amperage:
115V / 60 Hz / 4.5 A*

HP:
0.4

Temperature:
140°F Max.



*Measured using 1" discharge. Information will vary once the discharge size is increased. Consult with factory.

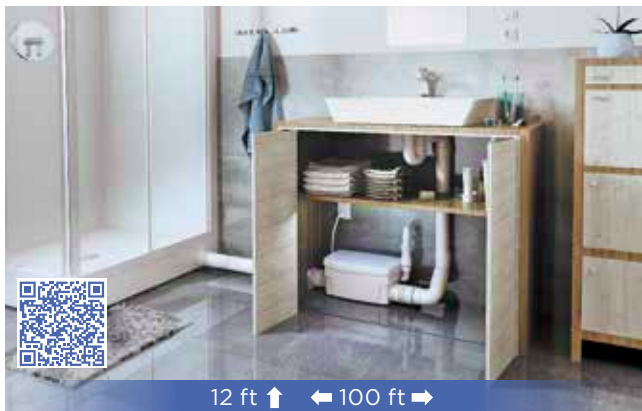
Sanishower®

Part N° 010

**Light-duty drain pump
for residential applications**



- Pumps gray water away from a shower, sink, bar sink and other fixtures.
- Pre-assembled system with low 2" inlets and built-in check valves.
- Easy to install and small enough to fit under a shower base.



Discharge rate at 12':
14 gal/min (53 liters/min)

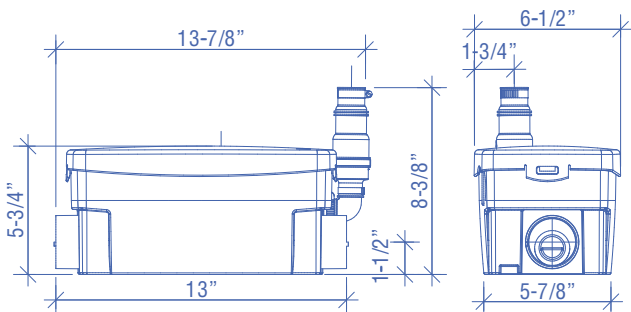
Discharge rate at 3':
20 gal/min (76 liters/min)

Discharge pipe diameter:
3/4" or 1"

Power/Amperage:
115V / 60 Hz / 5.5 A

HP:
0.2

Temperature:
104°F (110°F Max.)



Saniswift® Pro

Part N° 022

**Heavy-duty drain pump
for residential/commercial applications**



- Pre-assembled system with 2" low inlets with built-in check valves for residential and commercial applications.
- Superior water detection system (air pressure switch) and easy access to its main components.



Discharge rate at 14':
18 gal/min (68 liters/min)

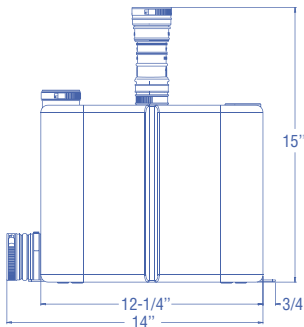
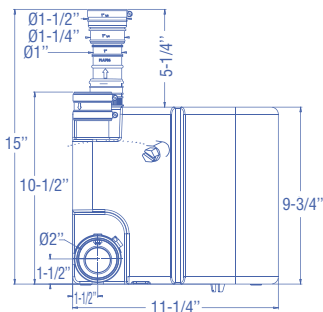
Discharge rate at 3':
24 gal/min (91 liters/min)

Discharge pipe diameter:
1" - 1-1/2"

Power/Amperage:
115V / 60 Hz / 4.5 A*

HP:
0.3

Temperature:
140°F Max.



*Measured using 1" discharge. Information will vary once the discharge size is increased. Consult with factory.

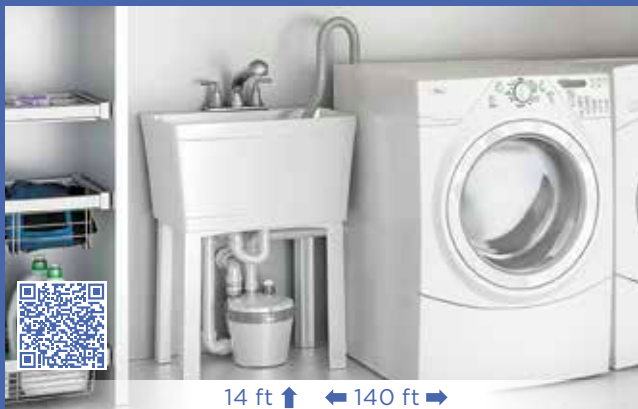
Saniswift®

Part N° 021

Medium-duty drain pump for residential applications



- Pumps gray water away from laundry sink applications.
- Pre-assembled system with low inlets and built-in check valves.
- Powerful and economical pump with multiple inlets for various installations.



Discharge rate at 14':
18 gal/min (68 liters/min)

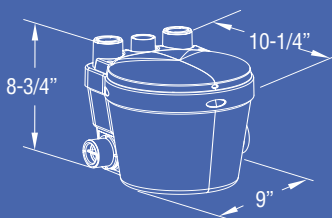
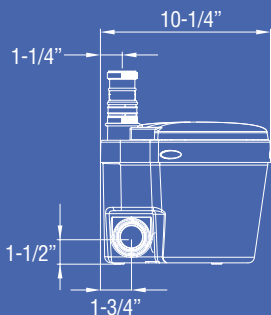
Discharge rate at 3':
24 gal/min (91 liters/min)

Discharge pipe diameter:
1" - 1-1/2"

Power / Amperage:
115V / 60 Hz / 4.5 A*

HP:
0.3

Temperature:
140°F Max.



*Measured using 1" discharge. Information will vary once the discharge size is increased. Consult with factory.

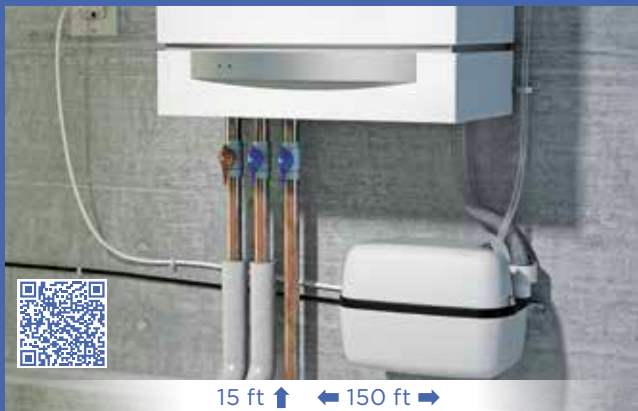
Sanicondens[®]

Part N° 040

Condensate pump for HVAC applications



- One of the most powerful and quiet condensate pumps on the market.
- This powerful pumping unit can be floor or wall mounted. It comes with provisions for a ready-to-wire connection to an external overflow switch.



Discharge rate at 15':

30 GPH

Discharge rate at 3':

86 GPH

Capacity:

0.5 gal. (1.9 liters)

Power / Amperage:

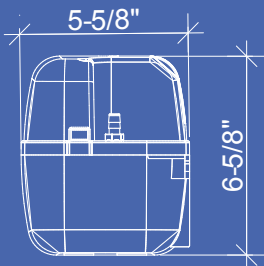
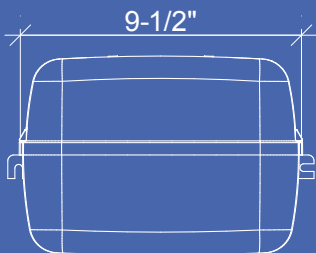
115V / 60 Hz / 1.5 A

HP:

1/30

Operating temperature:

160°F Max.



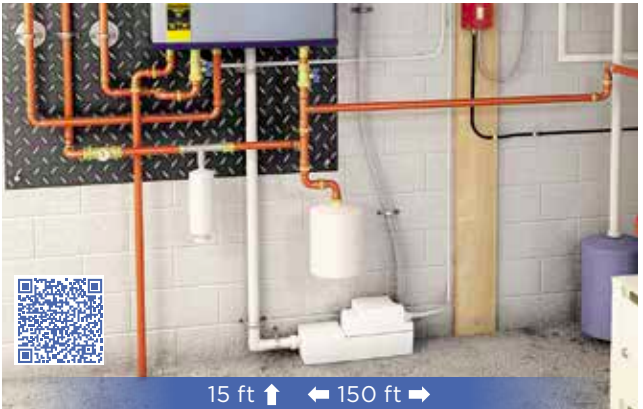
Sanicondens® Best Flat

Part N° 044

Low profile condensate and neutralizer pump



- 2 in 1 system condensate pump with built-in neutralizer will neutralize harsh condensate from appliances up to 500,000 BTU/hour input.
- Comes with provisions for a ready-to-wire connection to an external overflow switch.



15 ft ↑ ← 150 ft →

Discharge rate at 15':
30 GPH

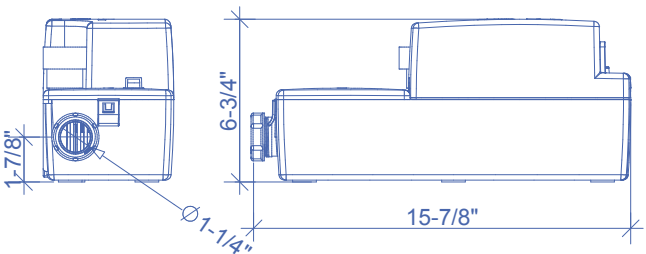
Discharge rate at 3':
86 GPH

Capacity:
0.9 gal. (3.4 liters)

Power/Amperage:
115V / 60 Hz / 1.5 A

HP:
1/30

Operating temperature:
160°F Max.



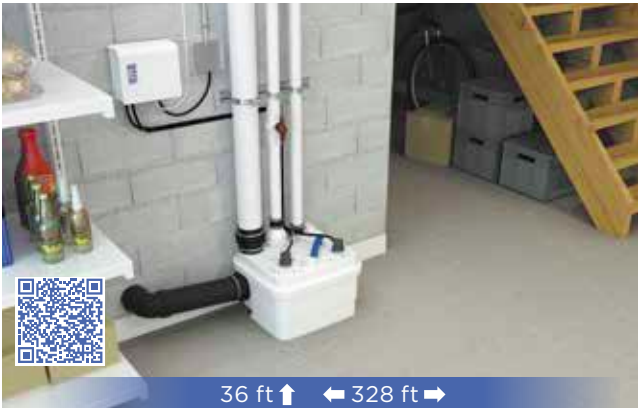
Sanicubic[®] 1

Part N° 089

Simplex grinder lift station for residential/commercial applications



- Grinds and discharges waste water away from several fixtures from an entire building structure.
- Rated IP68 for possible submergence which eliminates any potential water damage to internal components.
- Pump activates with a fail-proof air pressure switch system with triple redundancy.



Discharge rate at 36':
26 gal/min (98 liters/min)

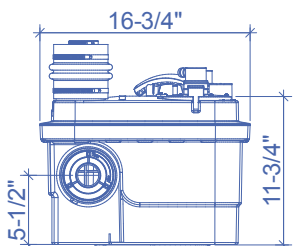
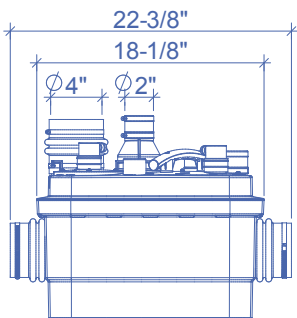
Discharge rate at 3':
50 gal/min (189 liters/min)

Discharge pipe diameter:
1-1/2"

Power/Amperage:
115V / 60 Hz / 10 A

HP:
1

Temperature:
158°F Max.



Sanicubic[®] 2

Part N° 029

Duplex grinder lift station for commercial applications

- Grinds and discharges waste water away from several fixtures from an entire building structure.



- Pump activates with a fail-proof air pressure switch system with triple redundancy. Equipped with a visual and audible external alarm box.
- IP68 rated for possible submergence which eliminates any potential water damage.



Discharge rate at 36':

38 gal/min (144 liters/min)
(Both motors in operation)

Discharge rate at 3':

90 gal/min (341 liters/min)
(Both motors in operation)

Discharge pipe diameter:

1-1/2"

Power/Amperage:

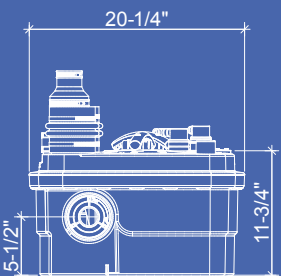
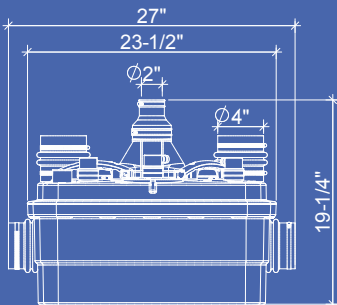
220-240V / 60 Hz / 13 A

HP:

2 X 1 HP

Temperature:

158°F Max.



Sanicubic[®] 1VX

Part N° 049

Simplex vortex lift station for residential/commercial applications

- Discharges waste water away from several fixtures from an entire building structure.
- Pump activates with a fail-proof air pressure switch system with triple redundancy. Equipped with a visual and audible external alarm box.
- IP68 rated for possible submergence which eliminates any potential water damage.



2" discharge 36 ft ↑ ← 328 ft →



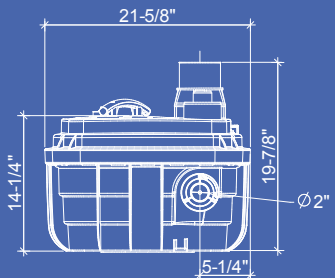
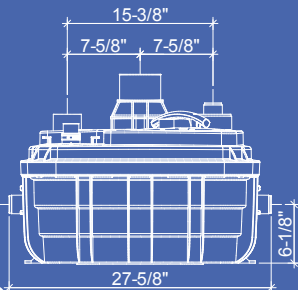
4" discharge 20 ft ↑ ← 1640 ft →

Discharge rate at 36' (2"): 26 gal/min (136 liters/min) **Discharge pipe diameter:** 2" or 4"

Discharge rate at 3' (2"): 125 gal/min (473 liters/min) **Power/Amperage:** 220-240V / 60 Hz / 12 A

Discharge rate at 20' (4"): 90 gal/min (341 liters/min) **HP:** 1.5

Discharge rate at 3' (4"): 137 gal/min (519 liters/min) **Temperature:** 158°F Max.



Sanicubic[®] 2VX

Part N° 099

Duplex vortex lift station for commercial applications

- Discharges waste water away from several fixtures from an entire building structure.
- Pump activates with a fail-proof air pressure switch system with triple redundancy. Equipped with a visual and audible external alarm box.
- IP68 rated for possible submergence which eliminates any potential water damage.



Discharge rate:

(Both motors in operation)

at 36' (2"):

40 gal/min (151 liters/min)

at 3' (2"):

145 gal/min (549 liters/min)

at 20' (4"):

110 gal/min (416 liters/min)

at 3' (4"):

250 gal/min (946 liters/min)

Discharge pipe diameter:

2" or 4"

Power/Ampereage:

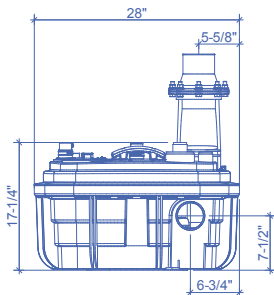
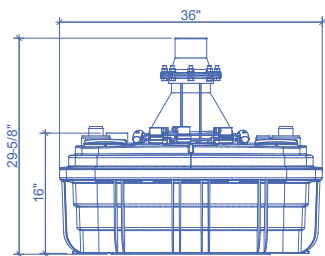
220-240V / 60 Hz / 12 A

HP:

2 X 1.5 HP

Temperature:

158°F Max.



STOP BREAKING CONCRETE

INSTALL A BATHROOM
ANYWHERE YOU WANT

BEFORE



AFTER



Saniflo  SFA GROUP

US 800-571-8191
saniflo.com

CDN 800-363-5874
saniflo.ca