

### Features

- Large/medium bowls
- 9" (229 mm) depth provides generous workspace
- Includes one faucet hole and option for three additional holes for knockout with ball-peen hammer and punch
- Includes K-80047 large sink rack
- K-80048 small sink rack also available (sold separately)
- Matte finish offers rich, dimensional color

### Material

- KOHLER Neoroc® composite is durable and built to withstand day-to-day cleaning tasks
- Solid color throughout the sink
- Heat-resistant up to 750°F
- Scratch-, stain-, chip-, and thermal-shock-resistant

### Installation

- 36" minimum base cabinet width for undermount or top-mount installation
- Cutout templates included
- Top-mount or undermount

### Recommended Products/Accessories

- K-8801 Sink drain and strainer with tailpiece
- K-8799 Sink drain and strainer basket
- K-23726 Drain treatment
- K-23730 Neoroc® cleaner

### Optional Products/Accessories

- K-11352 Disposal Flange with Stopper
- K-9000 P-Trap



### Codes/Standards



CSA B45.5/IAPMO Z124  
IAPMO Certification

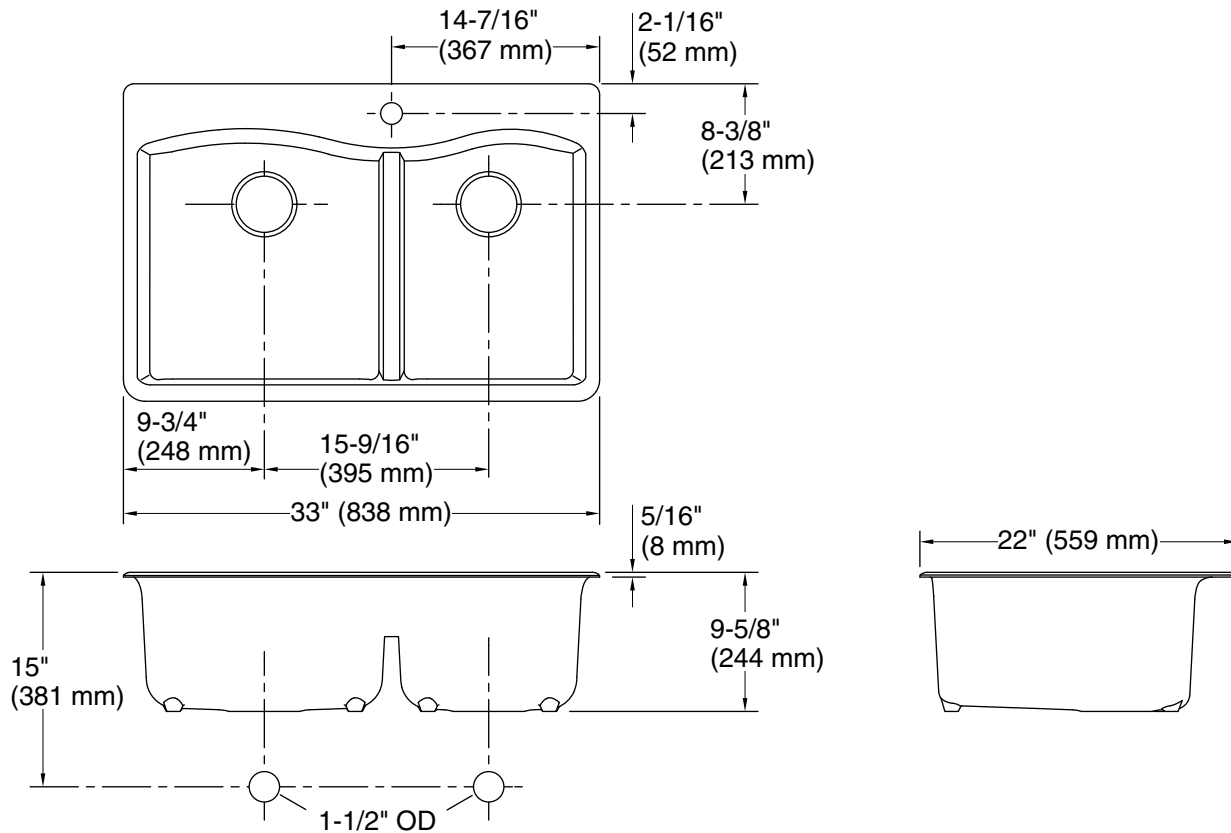
### KOHLER® Neoroc® Sinks Lifetime Limited Warranty

See website for detailed warranty information.

### Available Colors/Finishes

*Color tiles intended for reference only.*

Color	Code	Description
	CM1	Matte Black
	CM3	Matte Taupe



## Technical Information

All product dimensions are nominal.

Bowl configuration:	Off-set Large/small
Center(s):	4
Min. base cabinet width:	36" (914 mm)
Bowl area (Left):	Length: 16-7/16" (417 mm) Width: 16-3/16" (411 mm) Bowl depth: 9" (229 mm) Water depth: 9" (229 mm)
Bowl area (Right):	Length: 16-7/16" (417 mm) Width: 12" (305 mm) Bowl depth: 9" (229 mm) Water depth: 9" (229 mm)
Number of deck holes:	1
Faucet hole spacing:	4" (102 mm)
Faucet hole(s):	1" (25 mm)
Drain hole:	3-7/8" (98 mm)
Template:	1354774-7, required, included

## Notes

Install this product according to the installation instructions.

**NOTICE:** Countertop manufacturer or cutter must use the cut-out template provided with the product, or a current one provided by Kohler Co. (call 1-800-4-KOHLER). Kohler Co. is not responsible for cutout errors when the incorrect cut-out template is used.