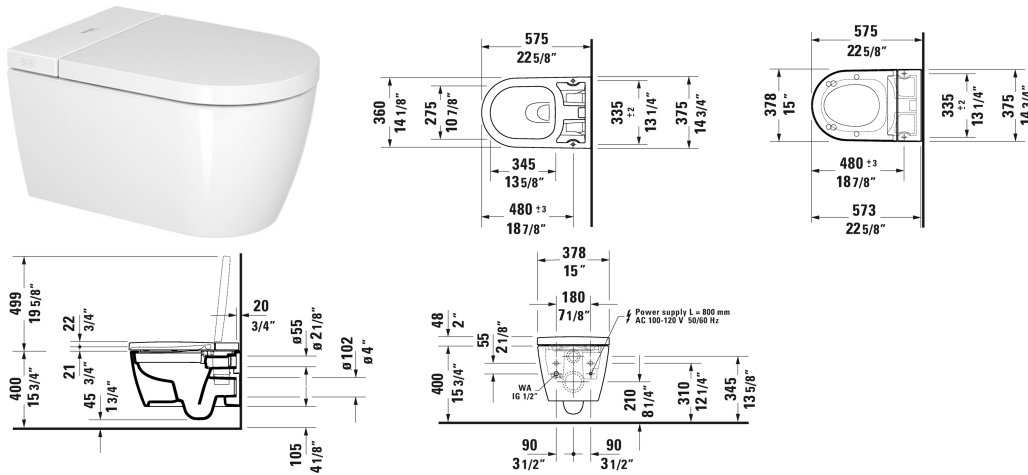


ME by Starck Toilet wall-mounted Duravit Rimless for SensoWash® f # 251009..92

| < 14 3/4" Inch > |



Toilet wall-mounted Duravit Rimless for SensoWash® f	Dimension	Weight	Order number
rimless, washdown model, only in combination with SensoWash f, cUPC® listed*			
Colors			
Variant			
1.28/0.8 gpf	14 3/4" x 22 5/8" Inch	55.1 lb	251009..92
Infobox			
Choose suitable pre-installation kit or connecting set depending on in-wall carrier selection, Wall-mounted toilet is ADA compliant, when installed with a seat height of 17" - 19" from the finished floor, If using DuraSystem in-wall tank & carrier, # 005072 is mandatory for SensoWash® installation during rough-in stage, In-wall tank & carrier and actuator plate required for installation, Not available with WonderGliss, Further details are available at www.duravit.us/sensowash , In-wall tank & carrier and actuator plate required for installation / Refer to page XXX			
Actuator plate A1, for toilet, plastic mechanical actuation, for surface mounted installation, dual flush, mounting frame, mounting hardware included, push rods, front plate plastic	8 1/2" x 5 3/4" Inch	0.7 lb	WD5008
Toilet in-wall tank & carrier, Standard for toilets with a projection of <= 24 5/8", adjustable feet 0" - 9 1/2", SensoWash ready, mechanical front flush actuation, includes in-wall tank, marking of filling height, dual flush, insulated against condensation, Scope of delivery, HDPE wall-mounted toilet connection bend DN 90/90, PE wall-mounted toilet connection set DN 90, wall-mounted mounting rods M12, mounting hardware included, 2 bolt caps	23 1/4" x 45 1/4" Inch	35.3 lb	WD1022
Pre-installation set in combination with SensoWash, for in-wall carrier with horizontal support without shower toilet pre-installation/conduit pipe			005072

**ME by Starck Toilet wall-mounted Duravit Rimless for
SensoWash® f # 251009..92**

|< 14 3/4" Inch >|

Connecting set in combination with SensoWash Starck f, for in-wall carriers with conduit pipe for connection inside the tank		100731
Noise reduction gasket for wall-mounted toilet	0.7 lb	005064
Suitable products		
SensoWash® Starck f Plus shower toilet-seat Rear-, Lady- and Comfortwash, heated seat, warm air dryer, individual adjustment of water-, air- and seat surface temperature as well as nozzle position and jet strength, night light, Intelligent energy-saving mode, remote control included, app operation, self-cleaning wand, descaling function, automatic drainage in periods of prolonged disuse, 14 7/8" x 22 5/8" Inch	14 7/8" x 22 5/8" Inch	612000
SensoWash® Starck f Lite shower-toilet seat Rear-, Lady- and Comfortwash, heated seat, Intelligent energy-saving mode, warm air dryer, individual adjustment of water-, air- and seat surface temperature as well as nozzle position and jet strength, automatic drainage in periods of prolonged disuse, descaling function, night light, remote control included, app operation, self-cleaning wand, seat/lid material thermoplastic, 14 7/8" x 22 5/8" Inch	14 7/8" x 22 5/8" Inch	612001

All drawings contain the necessary measurements which are subject to standard tolerances. They are stated in inch & mm and are non-binding. Exact measurements, in particular for customized installation scenarios, can only be taken from the finished ceramic piece.