

PORTSMOUTH® PEDESTAL SINK

- ❑ 0555.801 Faucet holes on 8" (203mm) centers (Illustrated)
- ❑ 0555.401 Faucet holes on 4" (102mm) centers
- ❑ 0555.101 Faucet holes center hole only
 - Vitreous china
 - Turn-of-the-century detailing on sink and pedestal leg
 - Rear overflow
 - Supplied with mounting kit
 - Faucet ledge with large deck area
 - Right Height® for greater comfort during use
 - Design-matched to Portsmouth Champion® toilets



Nominal Dimensions:

24-3/8" x 19-1/2" x 35-7/16"
(619 x 495 x 900mm)

- ❑ 0555.108 Pedestal top - 8" (203mm) centers
- ❑ 0555.104 Pedestal top - 4" (102mm) centers
- ❑ 0555.001 Pedestal top - Center hole only
- ❑ 734906-401 Pedestal only

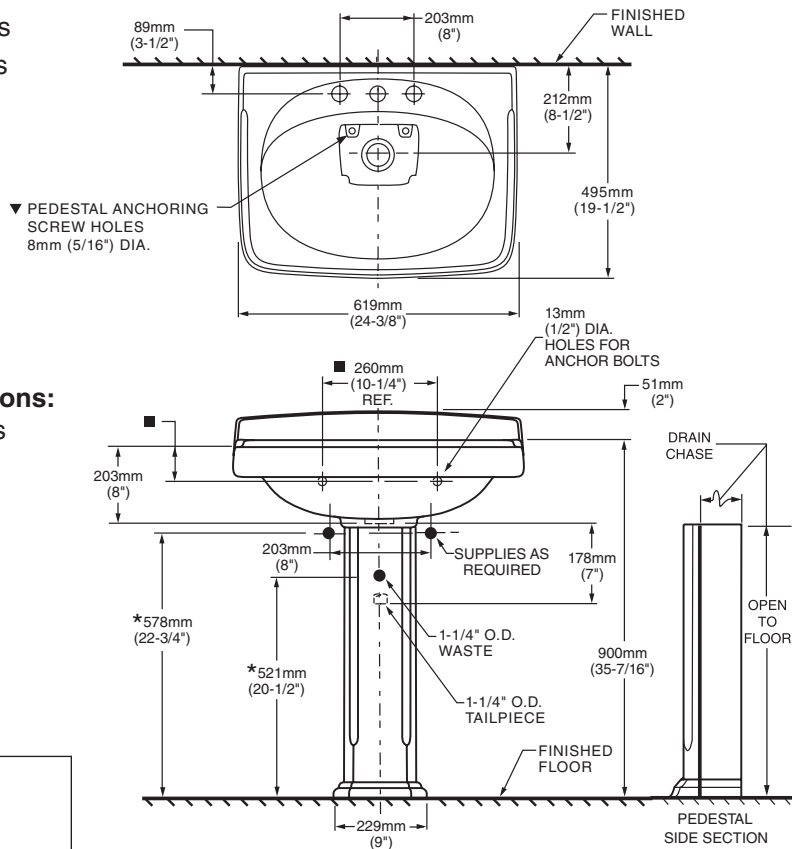
Bowl sizes:

19-1/4" (489mm) wide,
11-3/8" (289mm) front to back,
5-3/4" (146mm) deep

Compliance Certifications -

Meets or Exceeds the Following Specifications:

- ASME A112.19.2M for Vitreous China Fixtures



To Be Specified:

- ❑ Color: ❑ White ❑ Linen
- ❑ Faucet: *
- ❑ Faucet Finish:
- ❑ Supplies:
- ❑ 1-1/4" Trap:
- ❑ Nipple:

* See faucet section for additional models available

NOTES:

* DIMENSIONS SHOWN FOR LOCATION OF SUPPLIES AND "P" TRAPS ARE SUGGESTED.
 ▼ PEDESTAL ANCHORING SCREWS NOT INCLUDED.
 ■ SUITABLE FOR REINFORCEMENT ONLY. ACTUAL DIMENSIONS MUST BE TAKEN FROM FIXTURE.
 FITTING NOT INCLUDED AND MUST BE ORDERED SEPARATELY.
 PROVIDE SUITABLE REINFORCEMENT FOR ALL WALL SUPPORTS.
 INSTALLATION INSTRUCTIONS SUPPLIED WITH LAVATORY.

IMPORTANT: Dimensions of fixtures are nominal and may vary within the range of tolerance established by ANSI Standard A112.19.2. These measurements are subject to change or cancellation. No responsibility is assumed for use of superseded or voided pages.