

TOTO : washlet®

FIT CHART



WASHLET®
COMPARISON
CHART

		**S7A	**S7A	**S7	**S7	S5	S5	S2	S2
		SW4736(AT40) Contemporary (Elongated)	SW4734(AT40) Classic (Elongated)	SW4726(AT40) Contemporary (Elongated)	SW4724(AT40) Classic (Elongated)	SW3446#01 (Elongated)	SW3445#01 (Round)	SW3346#01 (Elongated)	SW3345#01 (Round)
MSRP	COTTON (#01)	\$1,918	\$1,918	\$1,747	\$1,747	\$932	\$932	\$741	\$741
	SEDONA BEIGE (#12)	\$2,204	\$2,204	\$2,009	\$2,009	\$1,066	—	\$852	—
CLEANSE	REAR CLEANSE	●	●	●	●	●	●	●	●
	SOFT REAR CLEANSE	●	●	●	●	●	●	●	●
	FRONT CLEANSE	●	●	●	●	●	●	●	●
	WIDE FRONT CLEANSE	●	●	●	●	—	—	—	—
	OSCILLATING CLEANSE	●	●	●	●	●	●	●	●
	PULSATING CLEANSE	●	●	●	●	●	●	●	●
	INSTANTANEOUS WATER HEATING	●	●	●	●	●	●	●	●
	WATER PRESSURE CONTROL	5 SETTINGS	5 SETTINGS	5 SETTINGS	5 SETTINGS	5 SETTINGS	5 SETTINGS	5 SETTINGS	5 SETTINGS
	WATER TEMPERATURE CONTROL	5 SETTINGS	5 SETTINGS	5 SETTINGS	5 SETTINGS	3 SETTINGS	3 SETTINGS	3 SETTINGS	3 SETTINGS
AIR	WAND POSITION ADJUSTMENT	●	●	●	●	●	●	●	●
	AIR PURIFIER (DEODORIZER)	●	●	●	●	●	●	●	●
	AIR DRYER	●	●	●	●	●	●	●	●
SEAT	AIR TEMPERATURE CONTROL	5 SETTINGS	5 SETTINGS	5 SETTINGS	5 SETTINGS	3 SETTINGS	3 SETTINGS	3 SETTINGS	3 SETTINGS
	HEATED SEAT	●	●	●	●	●	●	●	●
	HEATED SEAT TEMPERATURE CONTROL	5 SETTINGS	5 SETTINGS	5 SETTINGS	5 SETTINGS	3 SETTINGS	3 SETTINGS	3 SETTINGS	3 SETTINGS
SENSOR	SOFTCLOSE SEAT AND LID	●	●	●	●	●	●	●	●
	SEAT SENSOR	●	●	●	●	●	●	●	●
	AUTOMATIC OPEN AND CLOSE LID	●	●	—	—	—	—	—	—
	AUTOMATIC FLUSH	●**	●**	●**	●**	—	—	—	—
REMOTE CONTROL	NIGHT LIGHT	●	●	●	●	●	●	●	●
	REMOTE CONTROL	●	●	●	●	●	●	SIDE PANEL	SIDE PANEL
	REMOTE CONTROLLED SEAT	●	●	—	—	—	—	—	—
HYGIENE	ON-DEMAND WAND CLEANING	●	●	●	●	●	●	●	●
	REMOVABLE LID	●	●	●	●	●	●	●	●
	PREMIST	●	●	●	●	●	●	●	●
	EWATER+® FOR BOWL	●	●	●	●	●	●	●	●
	EWATER+ FOR WAND	●	●	●	●	●	●	●	●
	WAND CLEANING MODE	●	●	●	●	●	●	●	●
	SELF-CLEANING WAND	●	●	●	●	●	●	●	●
ENERGY SAVING	CLEAN RESIN FOR WAND AND SEAT	●	●	●	●	●	●	●	●
	ENERGY-SAVER TIMER	6, 9 HOURS	6, 9 HOURS	6, 9 HOURS	6, 9 HOURS	6, 9 HOURS	6, 9 HOURS	6, 9 HOURS	6, 9 HOURS
	AUTO ENERGY SAVER	●	●	●	●	●	●	●	●
RATED POWER USAGE	ON/OFF BUTTON	●	●	●	●	●	●	●	●
		1290W	1290W	1290W	1290W	1271W	1273W	1273W	1273W
LENGTH OF POWER CORD		Maximum length 4 ft.	Maximum length 4 ft.	Maximum length 4 ft.	Maximum length 4 ft.	Maximum length 3.93 ft.	Maximum length 3.93 ft.	Maximum length 3.93 ft.	Maximum length 3.93 ft.
WAND FLOW RATE	REAR	0.08 - 0.11 gal / min.	0.08 - 0.11 gal / min.	0.08 - 0.11 gal / min.	0.08 - 0.11 gal / min.	0.07 - 0.11 gal / min.	0.07 - 0.11 gal / min.	0.07 - 0.11 gal / min.	0.07 - 0.11 gal / min.
	SOFT	.08 - 11 gal./min.	.08 - 11 gal./min.	.08 - 11 gal./min.	.08 - 11 gal./min.	0.07 - 0.11 gal / min.	0.07 - 0.11 gal / min.	0.07 - 0.11 gal / min.	0.07 - 0.11 gal / min.
	FRONT	.08 - 11 gal./min.	.08 - 11 gal./min.	.08 - 11 gal./min.	.08 - 11 gal./min.	0.08 - 0.11 gal / min.	0.08 - 0.11 gal / min.	0.08 - 0.11 gal / min.	0.08 - 0.11 gal / min.
	WATER TEMP	86°F - 104°F	86°F - 104°F	86°F - 104°F	86°F - 104°F	95°F - 104°F	95°F - 104°F	95°F - 104°F	95°F - 104°F
DRYER	AIR TEMP	95°F - 140°F	95°F - 140°F	95°F - 140°F	95°F - 140°F	95°F - 140°F	95°F - 140°F	95°F - 140°F	95°F - 140°F
	AIR VOLUME	8.83 ft ³ /min.	8.83 ft ³ /min.	8.83 ft ³ /min.	8.83 ft ³ /min.	8.83 ft ³ / min.	8.83 ft ³ / min.	8.83 ft ³ / min.	8.83 ft ³ / min.
HEATED SEAT	SURFACE TEMP	82° F - 97° F	82° F - 97° F	82° F - 97° F	82° F - 97° F	82° F - 97° F	82° F - 97° F	82° F - 97° F	82° F - 97° F
WATER SUPPLY PRESSURE		7.25 psi - 108.75 psi	7.25 psi - 108.75 psi	7.25 psi - 108.75 psi	7.25 psi - 108.75 psi	7.25 psi - 108.75 psi	7.25 psi - 108.75 psi	7.25 psi - 108.75 psi	7.25 psi - 108.75 psi
WATER SUPPLY TEMPERATURE		32°F to 95°F	32°F to 95°F	32°F to 95°F	32°F to 95°F	32°F to 95°F	32°F to 95°F	32°F to 95°F	32°F to 95°F
AMBIENT TEMPERATURE		32°F to 104°F	32°F to 104°F	32°F to 104°F	32°F to 104°F	32°F to 104°F	32°F to 104°F	32°F to 104°F	32°F to 104°F
PRODUCT SIZE	ELONGATED	23-3/8"L x 17-5/8"W x 6-1/4"H	23-3/8"L x 17-5/8"W x 6-1/4"H	23-3/8"L x 17-5/8"W x 6-1/4"H	23-3/8"L x 17-5/8"W x 6-1/4"H	15"W x 21"D x 5-1/2"H	18-7/16"W x 21"D x 5-1/2"H	18-7/16"W x 21"D x 5-1/2"H	18-7/16"W x 21"D x 5-1/2"H
	ROUND	—	—	—	—	—	—	—	—

◆ Limited Inventory

** Compatible with both traditional and WASHLET+ toilet bowls

●** Optional upgrade for WASHLET+ models

WASHLET®
COMPARISON
CHART

		C5	C5	C2	C2	KS6	*K300	* KC2	A2
		SW3084◆ (Elongated)	SW3083◆ (Round)	SW3074◆ (Elongated)	SW3073◆ (Round)	SW3946 (Elongated)	SW3036R (Elongated)	SW3024 (Elongated)	SW3004 (Elongated)
MSRP	COTTON (#01)	\$891	\$891	\$771	\$771		\$1,223	\$674	\$567
	SEDONA BEIGE (#12)	\$1,024	—	\$887	—	—	\$1,407	—	—
CLEANSE	REAR CLEANSE	●	●	●	●	●	●	●	●
	SOFT REAR CLEANSE	●	●	●	●	●	●	●	●
	FRONT CLEANSE	●	●	●	●	●	●	●	●
	WIDE FRONT CLEANSE	—	—	—	—	—	—	—	—
	OSCILLATING CLEANSE	●	●	●	●	●	●	●	●
	PULSATING CLEANSE	●	●	●	●	●	●	●	—
	INSTANTANEOUS WATER HEATING	—	—	—	—	●	●	—	—
	WATER PRESSURE CONTROL	5 SETTINGS	5 SETTINGS	5 SETTINGS	5 SETTINGS	5 SETTINGS	5 SETTINGS	5 SETTINGS	5 SETTINGS
	WATER TEMPERATURE CONTROL	3 SETTINGS	3 SETTINGS	3 SETTINGS	3 SETTINGS	3 SETTINGS	3 SETTINGS	3 SETTINGS	3 SETTINGS
AIR	WAND POSITION ADJUSTMENT	●	●	●	●	●	●	●	●
	AIR PURIFIER (DEODORIZER)	●	●	●	●	●	●	—	—
	AIR DRYER	●	●	●	●	●	●	●	●
SEAT	AIR TEMPERATURE CONTROL	3 SETTINGS	3 SETTINGS	3 SETTINGS	3 SETTINGS	3 SETTINGS	3 SETTINGS	3 SETTINGS	3 SETTINGS
	HEATED SEAT	●	●	●	●	●	●	●	●
	HEATED SEAT TEMPERATURE CONTROL	3 SETTINGS	3 SETTINGS	3 SETTINGS	3 SETTINGS	3 SETTINGS	3 SETTINGS	3 SETTINGS	3 SETTINGS
SENSOR	SOFTCLOSE SEAT AND LID	●	●	●	●	●	●	●	●
	SEAT SENSOR	●	●	●	●	●	●	●	●
	AUTOMATIC OPEN AND CLOSE LID	—	—	—	—	—	—	—	—
REMOTE CONTROL	AUTOMATIC FLUSH	—	—	—	—	—	—	—	—
	NIGHT LIGHT	—	—	—	—	●	—	—	—
	REMOTE CONTROL	●	●	SIDE PANEL	SIDE PANEL	●	●	SIDE PANEL	SIDE PANEL
HYGIENE	REMOTE CONTROLLED SEAT	—	—	—	—	—	—	—	—
	ON-DEMAND WAND CLEANING	●	●	●	●	●	●	●	●
	REMOVABLE LID	●	●	●	●	●	●	●	●
	PREMIST	●	●	●	●	●	●	—	—
	EWATER+® FOR BOWL	—	—	—	—	—	—	—	—
	EWATER+® FOR WAND	●	●	●	●	●	●	—	—
	WAND CLEANING MODE	●	●	●	●	●	●	●	●
ENERGY SAVING	SELF-CLEANING WAND	●	●	●	●	●	●	●	●
	CLEAN RESIN FOR WAND AND SEAT	●	●	●	●	●	●	●	●
	ENERGY-SAVER TIMER	6, 9 HOURS	6, 9 HOURS	6, 9 HOURS	6, 9 HOURS	6, 9 HOURS	6, 9 HOURS	6, 9 HOURS	6, 9 HOURS
RATED POWER USAGE	AUTO ENERGY SAVER	●	●	●	●	●	●	●	●
	ON/OFF BUTTON	●	●	●	●	●	●	●	●
RATED POWER USAGE		403W	403W	406W	406W	1278 W	1274 W	403W	287W
LENGTH OF POWER CORD		3.9 ft. (1.2 m)	3.9 ft. (1.2 m)	3.9 ft. (1.2 m)	3.9 ft. (1.2 m)	3.9 ft. (1.2 m)	3.9 ft. (1.2 m)	3.9 ft. (1.2 m)	3.9 ft. (1.2 m)
WAND FLOW RATE	REAR	9.1 - 14.5 oz./min.	9.1 - 14.5 oz./min.	9.1 - 14.5 oz./min.	9.1 - 14.5 oz./min.	.07 - .11 oz./min.	9.1 - 14.5 oz./min.	9.1 - 14.5 oz./min.	9.1 - 14.5 oz./min.
	SOFT	10.8 - 14.5 oz./min.	10.8 - 14.5 oz./min.	9.1 - 14.5 oz./min.	9.1 - 14.5 oz./min.	.07 - .11 oz./min.	10.8 - 14.5 oz./min.	9.1 - 14.5 oz./min.	9.1 - 14.5 oz./min.
	FRONT	9.8 - 14.5 oz./min.	9.8 - 14.5 oz./min.	9.8 - 14.5 oz./min.	9.8 - 14.5 oz./min.	.08 - .11 oz./min.	9.8 - 14.5 oz./min.	9.8 - 14.5 oz./min.	9.8 - 14.5 oz./min.
DRYER	WATER TEMP	95°F - 104°F	95°F - 104°F	95°F - 140°F	95°F - 140°F	95°F - 104°F	86°F - 104°F	95°F - 104°F	95°F - 104°F
	AIR TEMP	95°F - 140°F	95°F - 140°F	95°F - 140°F	95°F - 140°F	95°F - 140°F	95°F - 140°F	95°F - 140°F	—
HEATED SEAT	AIR VOLUME	8.83 ft3/min.	8.83 ft3/min.	9.54 ft3/min.	9.54 ft3/min.	10.24 ft3/min.	10.24 ft3/min.	8.83 ft3 / min.	—
	SURFACE TEMP	82° F - 97° F	82° F - 97° F	82° F - 97° F	82° F - 97° F	82° F - 97° F	82° F - 97° F	82° F - 97° F	82° F - 97° F
WATER SUPPLY PRESSURE		7 psi - 109 psi	7 psi - 109 psi	7 psi - 109 psi	7 psi - 109 psi	7.25 psi - 108.75 psi	7 psi - 109 psi	7 psi - 109 psi	7 psi - 109 psi
WATER SUPPLY TEMPERATURE		33°F to 95°F	33°F to 95°F	33°F to 95°F	33°F to 95°F	32°F to 95°F	33°F to 95°F	33°F to 95°F	33°F to 95°F
AMBIENT TEMPERATURE		33°F to 104°F	33°F to 104°F	33°F to 104°F	33°F to 104°F	32°F to 104°F	33°F to 104°F	33°F to 104°F	33°F to 104°F
PRODUCT SIZE	ELONGATED	15-1/8"W x 20-7/8"D x 5-3/4"H	-	18-5/8"W x 20-7/8"D x 5-3/4"H	-	15-1/4"W x 20-13/16"D x 5-1/2"H	15-1/8"W x 20-7/8"D x 5-3/16"H	18-5/8"W x 20-7/8"D x 5-3/4"H	18-5/8"W x 20-7/8"D x 6-5/8"H
	ROUND	-	15"W X 19"D X 5-3/4"H	-	18-9/16"W x 19"D x 5-3/4"H	-	-	-	-

◆◆◆ Optional upgrade for WASHLET+ models

◆ Limited Inventory

*ECOMMERCE only product

WASHLET®

COMPATIBILITY CHART

	SIZE	NAME	S7A/S7	S5	S2	C5/C2	K300	KC2	KS6	A2
ONE-PIECE TOILETS	ELONGATED	AIMES®								
		AQUIA IV 1G								
		AQUIA IV								
		CAROLINA® II								
		CARLYLE® II 1G®								
		CARLYLE II								
		GUINEVERE®								
		LEGATO®	●	●	●	●	●	●	●	●
		PROMENADE® II 1G								
		PROMENADE II								
		ECO SOIREE®								
		SUPREME II								
		ULTRAMAX®								
		ULTRAMAX® II 1G								
		ULTRAMAX II								
	ROUND	ULTRAMAX	●	●	●	●	—	—	—	—

	SIZE	NAME	S7A/S7	S5	S2	C5/C2	K300	KS6	KC2	A2
TWO-PIECE TOILETS	ELONGATED	AQUIA IV** 1G								
		AQUIA IV**								
		ECO CLAYTON®								
		CONNELLY®**								
		ECO DARTMOUTH®								
		DRAKE®								
		DRAKE II 1G	●	●	●	●	●	●	●	●
		DRAKE II	●	●	●	●	●	●	●	●
		NEXUS® 1G								
		NEXUS								
		PROMENADE II 1G								
		PROMENADE II								
		VESPIN® II 1G								
		VESPIN® II								
		ROUND	DRAKE II							
	DRAKE		●	●	●	●	—	—	—	—
DRAKE II 1G										
WALL-HUNG TOILETS	ELONGATED	AP	●	●	●	●	●	●	●	
		EP	●	●	●	●	●	●	●	

*Extension kit THU9090R required

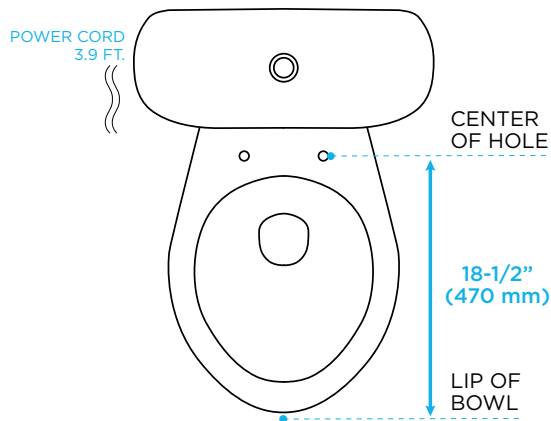
**Extension kit 9AU321-A required

WASHLET® INSTALLATION REQUIREMENTS

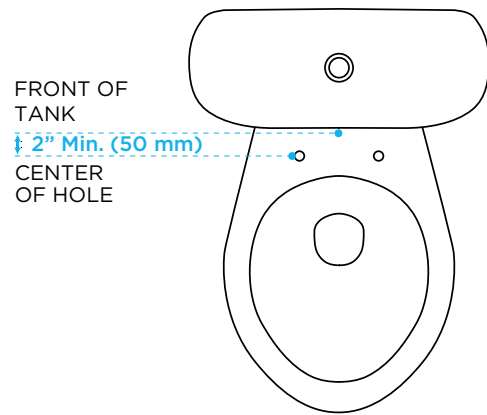
For when your existing toilet is in need of an upgrade.

The following four-part diagram details the approximate measurements and requirements for installing most WASHLET models on existing toilets. Note that some styles of toilets may not allow the WASHLET to fit properly due to certain contours where the tank meets the bowl.

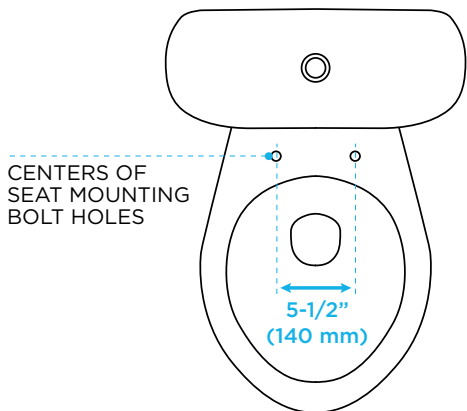
ELONGATED FRONT WASHLET



1. Elongated seats approximately 18-1/2 inches (470 mm) from mounting holes to front of bowl.

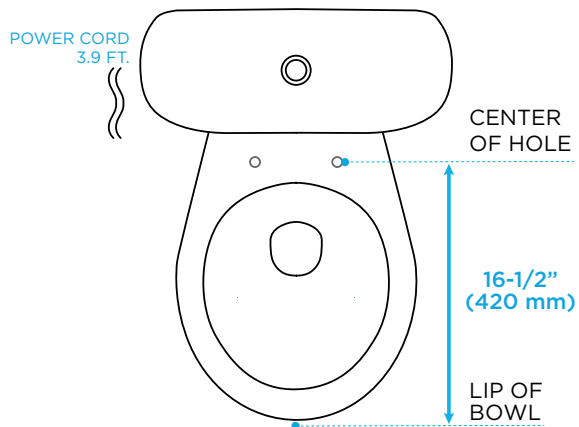


2. Minimum requirement for front face of tank to the center of mounting holes: S7A, S7, S5, S2 & KS6: 2 inches (50 mm)

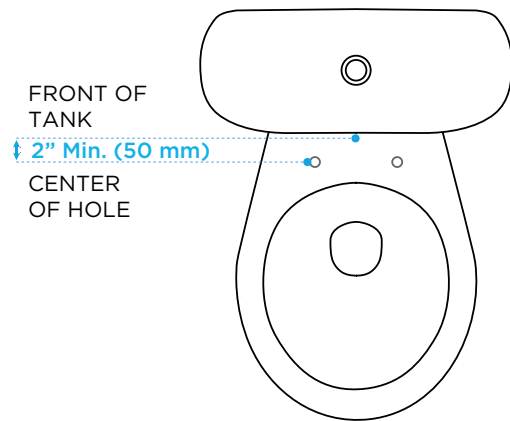


3. Approximately 5-1/2 inches (140 mm) from the centers of the seat mounting holes.

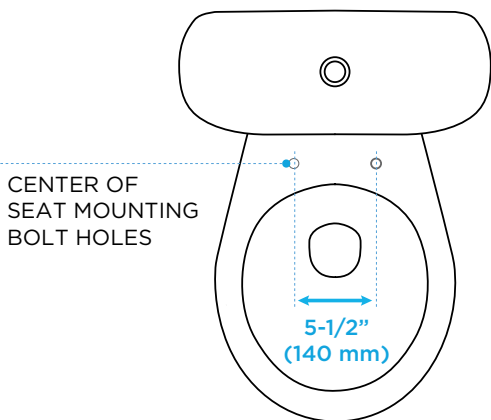
ROUND FRONT WASHLET



1. Round seats approximately 16-1/2 inches (420 mm) from mounting holes to front of bowl.



2. Minimum requirement for front face of tank to the center of mounting holes: S7A, S7, S5, & S2: 2 inches (50 mm)



3. Approximately 5-1/2 inches (140 mm) from the centers of the seat mounting holes.

TOTO USA, INC.
1155 SOUTHERN ROAD
MORROW, GA 30260
800-350-8686

www.washlet.com
www.totousa.com