

QUADRO 516 x 421

mm

mm

Q-2016 P/B/MB

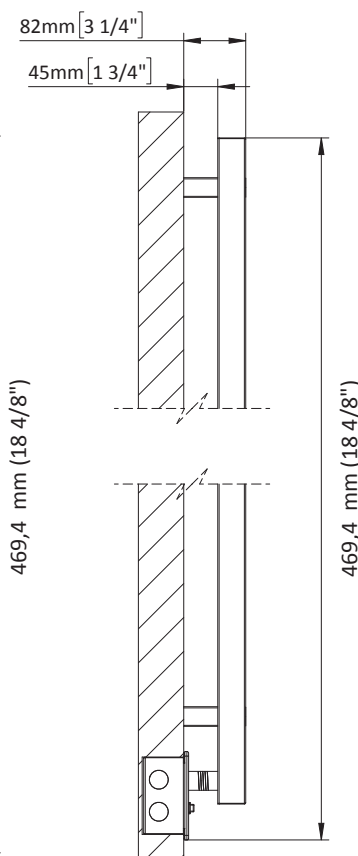
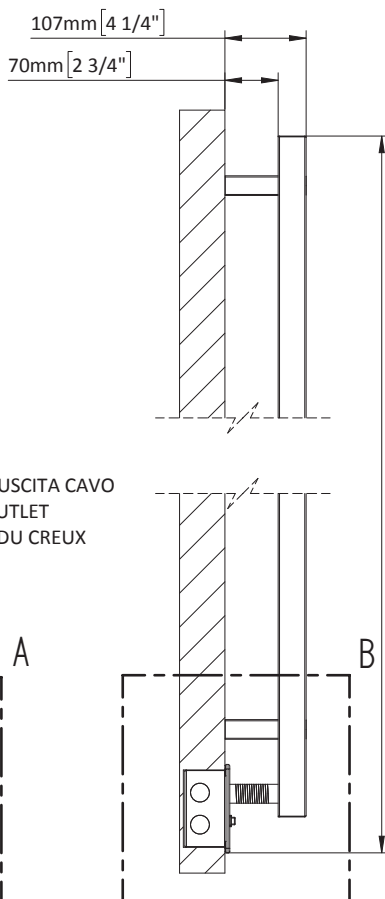
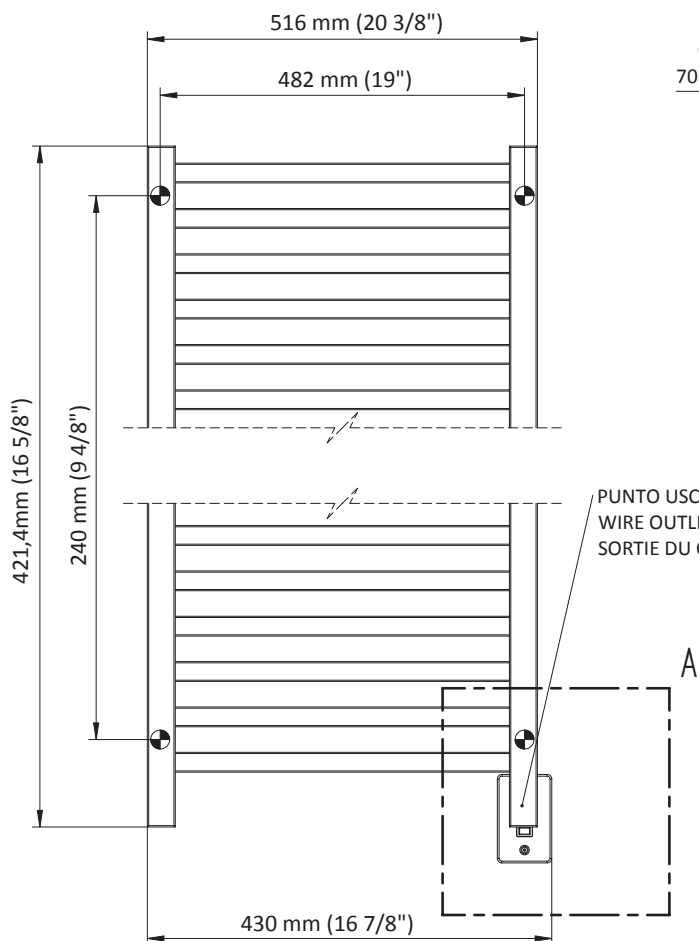
Elettrico / electric / électrique

CODICE / CODE		H	L
RS435006SN	RS445006SN	421 mm	516 mm
RL435006SN	RL445006SN	16 5/8 inches	20 3/8 inches
RV435006SN	RV445006SN		

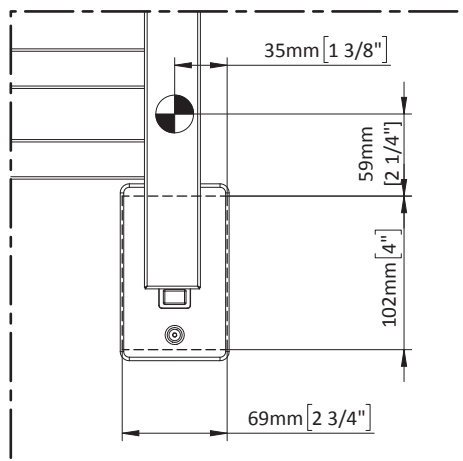
REGOLATORE DI POTENZA
DIGITAL HEAT CONTROLLER
REGULATEUR DE PUISSANCE

INGOMBRO CON ATTACCO LUNGO
MEASURES WITH LONG BRACKETS
MEASUREMENT AVEC ATTACHE LONG

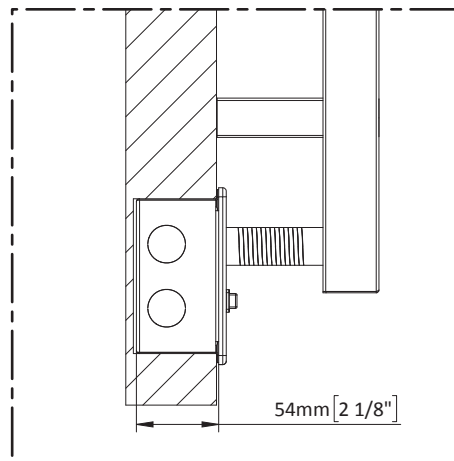
INGOMBRO CON ATTACCO STANDARD
MEASURES WITH STANDARD BRACKETS
MEASUREMENT AVEC ATTACHE STANDARD



DETAIL A



DETAIL B



FORO PER INSERIMENTO TASSELLO A MURO 6X30
POSITIONING OF FASTENERS FOR FIXING TO WALL
FASTENERS SHOULD BE SECURED IN STUDS OR HEADERS PLACED BEHIND THE UNIT
TROU POUR LA CHEVILLE À MUR