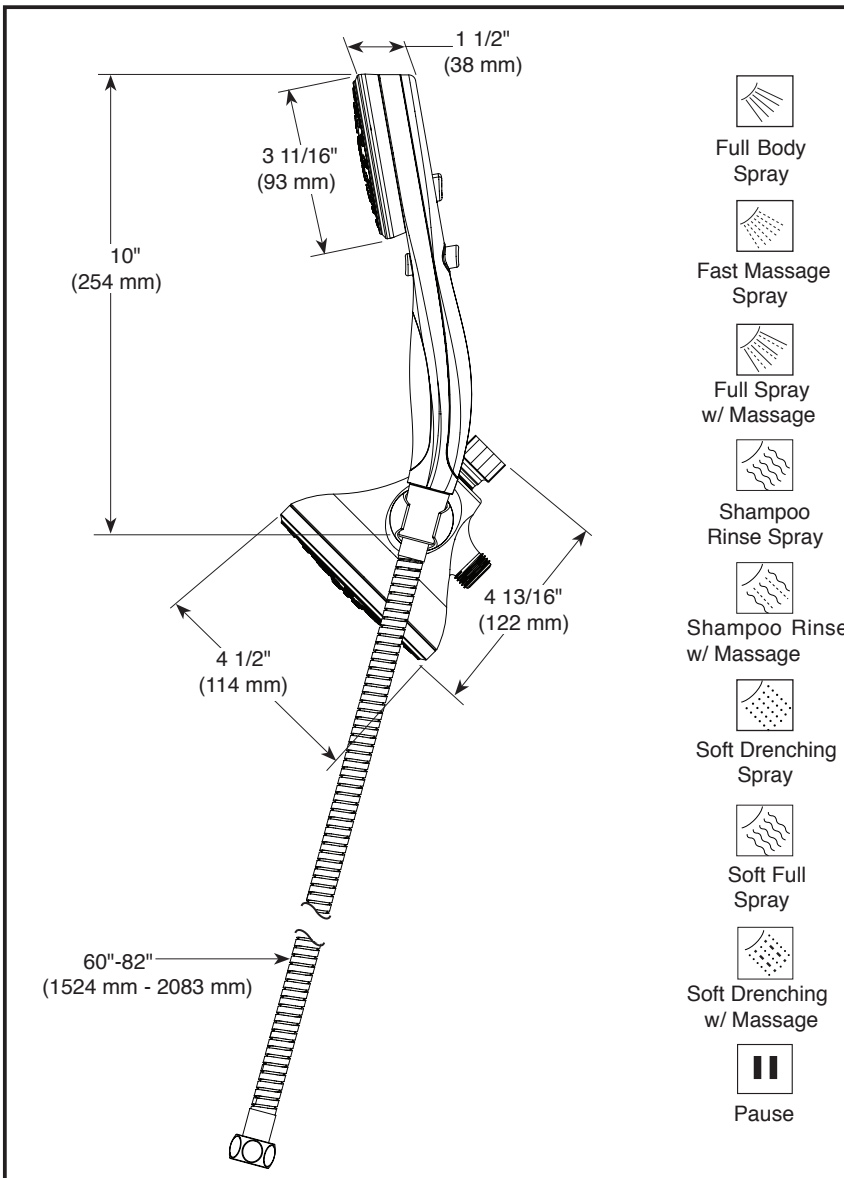


Submitted Model No.: \_\_\_\_\_

Specific Features: \_\_\_\_\_



▲ Designate proper finish suffix

Delta reserves the right (1) to make changes in specifications and materials, and (2) to change or discontinue models, both without notice or obligation. Dimensions are for reference only. See current full-line price book or [www.deltafaucet.com](http://www.deltafaucet.com) for finish options and product availability.



see what Delta can do™

## COMBINATION SHOWER

- 9-Spray Setting Handshower/ Showerhead Combo
- Certified Dual Check Valves

### FEATURES:

- Activ Touch® Handshower
- Touch-Clean® Nozzles

### STANDARD SPECIFICATIONS:

- Maximum 1.75 gpm @ 80 psi, 6.60 L/min @ 550 kPa
- Combination shower with nine spray settings - not a positive shut-off
- 3 buttons create 8 unique sprays plus a pause setting, reducing water to a trickle
- Adjustable shower arm mounting for hands-free showering
- Soft touch non-slip grip
- 60"-82" (1524 mm - 2083 mm) metal stretchable hose
- Diverter allows for single or shared operation of showerhead and handshower

### WARRANTY

- Lifetime limited warranty on parts (other than electronic parts and batteries) and finishes; or, for commercial users, for 5 years from the date of purchase.
- 5 year limited warranty on electronic parts (other than batteries); or for commercial users, for 1 year from the date of purchase. No warranty is provided on batteries.



### COMPLIES WITH

- ASME A112.18.1 / CSA B125.1
- EPA WaterSense®