



see what Delta can do™

HYDRORAIN SHOWER HEAD WITH HAND SHOWER

- H₂Okinetic® 2-In-1 Shower
- 5-Spray Setting Hand Shower

FEATURES:

- Touch-Clean® Nozzles
- H₂Okinetic® PowerDrench Spray
- MagnaTite® Docking
- Lumicoat™ Finish (-PR models only)
- Lumicoat™ Finishes easily wipe clean without cleaners and chemicals on the products most commonly touched areas

STANDARD SPECIFICATIONS:

- Max. flow rate 1.75 gpm @ 80 psi, 6.6 L/ min @ 550 kPa (58680▲)
- Max. flow rate 2.5 gpm @ 80 psi, 9.5L/ min @ 550 kPa (58680▲-25)
- 60"-82" (1524 mm - 2083 mm) metal stretchable hose
- Integrated hand shower docks securely into shower head when not in use
- 3-Way diverter allows for single or shared operation of the raincan and hand shower
- Multi-function hand shower and single function raincan
- Hand shower dial changes spray modes including a pause feature - a non-positive shut-off
- Raincan rotates 40° (20° per side) for adjustable coverage
- Ball connector swivel angle is 34° (17° per side)
- Lumicoat™ is not applied to the shower hose

WARRANTY

- Parts and Finish - Lifetime limited warranty; or for commercial purchasers, 10 years for multi-family residential (apartments and condominiums) and 5 years for all other commercial uses, in each case from the date of purchase.
- Electronic Parts and Batteries (if applicable) - 5 years from the date of purchase; or for commercial purchasers, 1 year from the date of purchase. No warranty is provided on batteries.

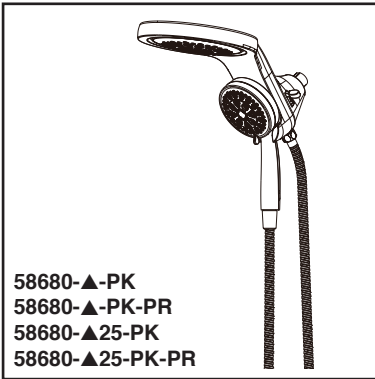


COMPLIES WITH:

- ASME A112.18.1 / CSA B125.1 ◆
- ASME A112.18.3 ◆
- EPA WaterSense® - Applies to 58680-▲-PK and 58680-▲-PK-PR only

Delta Faucet Company

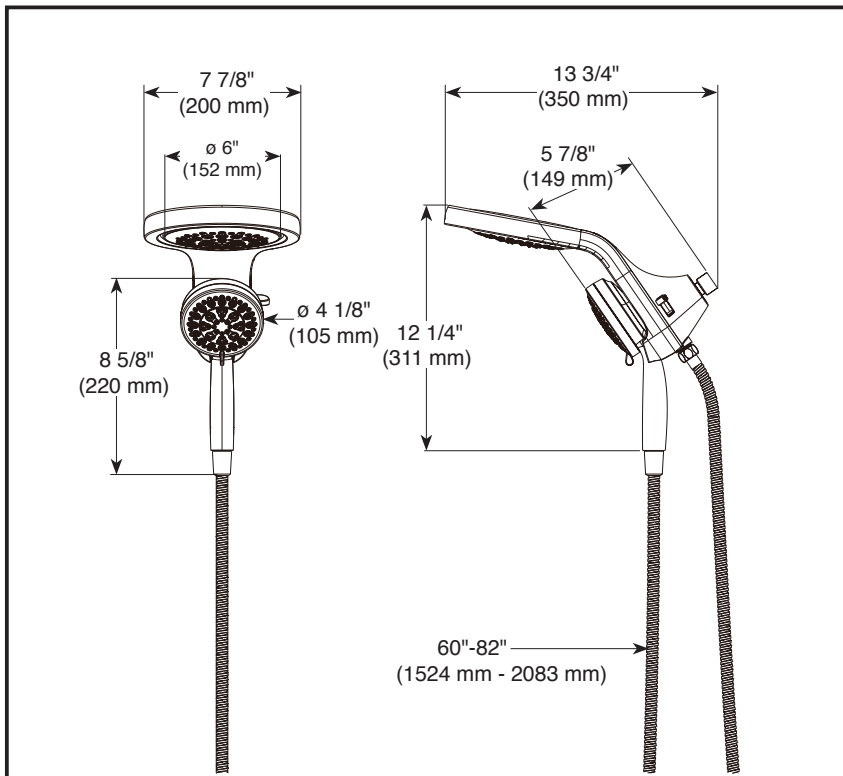
55 E. 111th Street, Indianapolis, Indiana 46280
350 South Edgewise Road, St. Thomas, Ontario Canada N5P 4L1
© 2021 Delta Faucet Company



58680-▲-PK
58680-▲-PK-PR
58680-▲25-PK
58680-▲25-PK-PR

Submitted Model No.: _____

Specific Features: _____



▲ Designate proper finish suffix

◆ Your Delta Faucet hand shower incorporates a backflow protection system that has been tested to be in compliance with ASME A112.18.3 and ASME A112.18.1/CSA B125.1. It incorporates two certified check valves in series, which operate independently and are integral, non-serviceable parts of the wand assembly.

Delta reserves the right (1) to make changes in specifications and materials, and (2) to change or discontinue models, both without notice or obligation. Dimensions are for reference only. See current full-line price book or www.deltafaucet.com for finish options and product availability.

DSP-B-58680 Rev. B