

## FAUCET DESCRIPTION

- Metal construction with various finishes identified by suffix
- Includes hot and cold temperature indicators
- Includes integral dual check valves for backflow prevention


## OPERATION

- Lever style handle
- Temperature controlled by 110° arc of handle travel
- Available temperature limit stop adjustment for lever handle

## FLOW

- Hand shower designed to deliver 2.0 gpm max (7.6 L/min) for products manufactured prior to June 30, 2018. Models manufactured after June 30, 2018 are limited to 1.75 (6.7L/min) max.

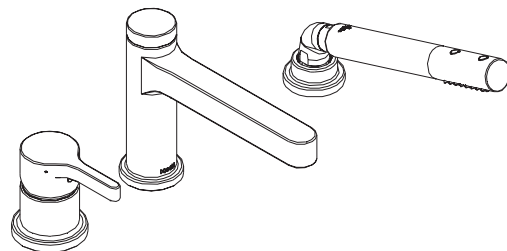
## STANDARDS

- Third party certified to ASME A112.18.1/ CSA B-125.1 and all applicable requirements referenced therein
- **ADA**  for lever handle

## WARRANTY

- Lifetime limited warranty against leaks, drips and finish defects to the original homeowner
- 10 year limited warranty when used in a multifamily installation
- 5 year limited warranty when used in a commercial installation

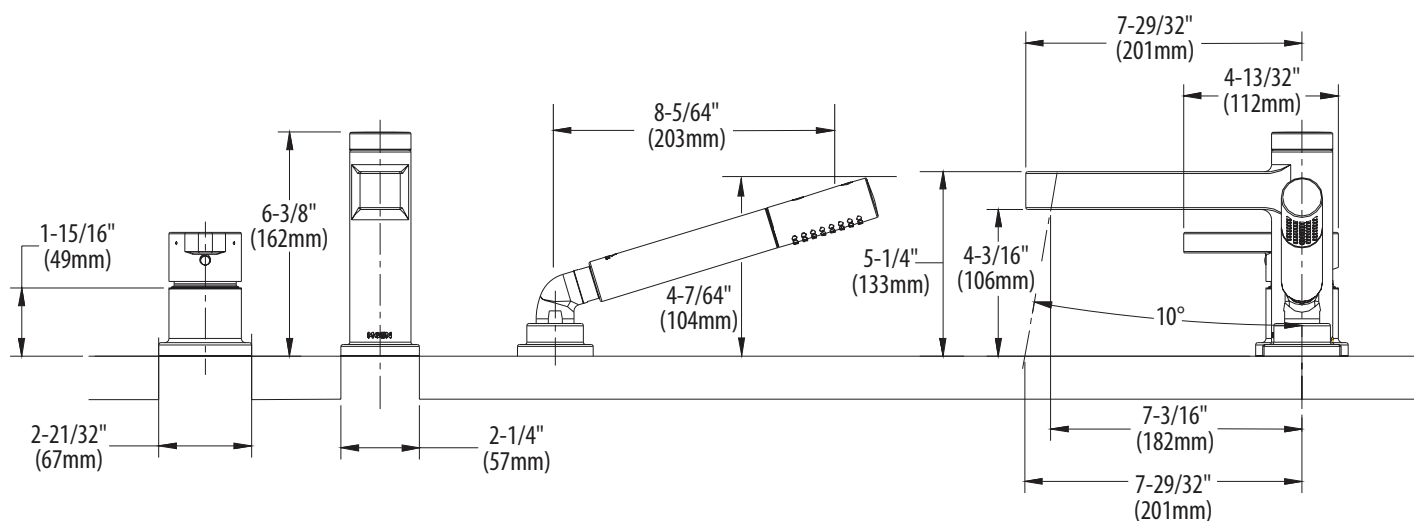
Visit [www.moen.com/support](http://www.moen.com/support) for complete details and limitations



## VICHY™ Single-Handle Roman Tub Faucet Trim w/Built In Diverter Valve

**Model:** T967 Series

**Valve:** 4791



## CRITICAL DIMENSIONS

(DO NOT SCALE)