



ONCE UPON A TIME...WATER®

**GRAFIK™**

# BF1359-XXX-200

## PREMIA: TCD3 Thermostatic Coaxial Shower System

### SPECIFICATIONS



#### Components included

- BF1397-XXX: Rainhead with 90° wall arm (2 direct positions and 1 shared position)
- 103579-XXX: 2-jet handshower (2 direct positions and 1 shared position)
- 102858: Wallbar
- 101620: 60” flexible and soft PVC hose
- BF1309: 1/2” Thermostatic coaxial diverter valve and decorative trim (3 direct positions and 2 shared positions)
- 102856: Wall outlet
- 102871: Tub spout

#### Colors (Finishes)

- Chrome: BF1359-110-200
- Chrome and black: BF1359-150-200

*\* XXX means that the finish color must be specified.*

#### Certifications

*The specified model meets or exceeds the following standards;*

- ASME A112.18.1 / CSA B125.1



*See the following sheets for the technical features of each component.*

#### Installation Notes

This product must be installed following the installation instructions provided.

#### WARRANTY

Kalia Inc. guarantees all aspects of its products to be free of defects in material and workmanship for normal residential use. **Refer to the warranty included with the Kalia products for details.**



ONCE UPON A TIME...WATER®

1355, 2<sup>nd</sup> Street  
Sainte-Marie (Quebec)  
Canada G6E 1G9

T 418-387-9090  
1-877-GO-KALIA (1-877-465-2542)  
F 418-387-9089

**KaliaStyle.com**





ONCE UPON A TIME...WATER®

# BF1397

## PREMIA: Rainhead with 90° wall arm

### SPECIFICATIONS

#### Features

- Water 1/2" female inlet NPT
- Dimensions : 200 x 319.5 mm (7 7/8" x 12 1/2")
- Anti-scale system with soft sprays
- Adjustable orientation swivel
- 2 direct positions and 1 shared position

#### Colors (Finishes)

- Chrome : BF1397-110
- Chrome and black : BF1397-150

#### Packaging

- **Dimensions:** 340 mm x 210 mm x 82 mm (13 1/3" x 8 1/4" x 3 1/4")
- **Volume:** 0.21 cu ft (0.06 cu m)
- **Total weight:** 5.60 lb (2.55 kg)

#### Maximum flow rate

- 9.5 liters/min. (2.5 gallons/min.) at 80 psi



#### Certifications

The specified model meets or exceeds the following standards;

- ASME A112.18.1 / CSA B125.1



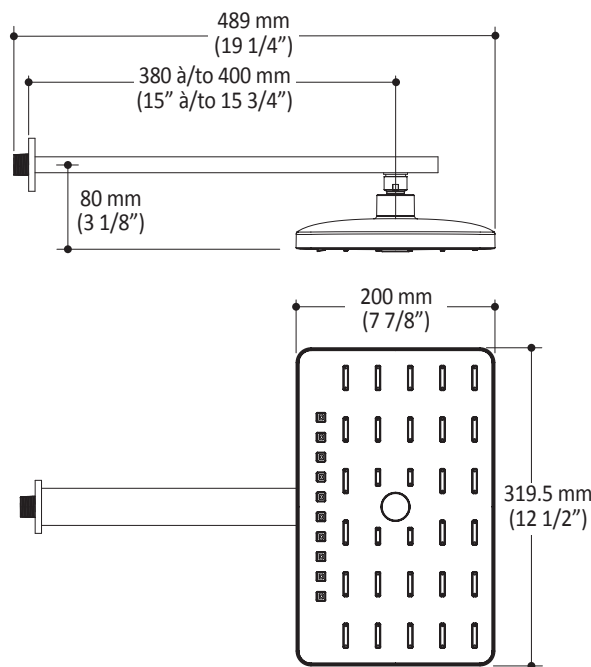
#### Installation Notes

This product must be installed following the installation instructions provided.

#### WARRANTY

Kalia inc. guarantees all aspects of its products to be free of defects in material and workmanship for normal residential use. Refer to the warranty included with the Kalia products for details.

Product dimensions:



**Important :** Dimensions are approximated and are subject to changes. Please refer to the installation instructions.



ONCE UPON A TIME...WATER®

1355, 2<sup>nd</sup> Street  
Sainte-Marie (Quebec)  
Canada G6E 1G9

T 418-387-9090  
1-877-GO-KALIA (1-877-465-2542)  
F 418-387-9089

KaliaStyle.com





# Kalia

ONCE UPON A TIME...WATER®

## 103579

### PREMIA: 2-jet handshower

#### SPECIFICATIONS

#### Features

- Dimension: 86 mm (3 3/8")
- Anti-scale system with soft sprays
- Water G1/2 male inlet
- 2 direct positions and 1 shared position

#### Colors (Finishes)

- Chrome : 103579-110
- Chrome and black : 103579-150

#### Certifications

The specified model meets or exceeds the following standards;

- ASME A112.18.1 / CSA B125.1



#### Packaging

- **Dimensions:** 272 mm x 108 mm x 45 mm (10 3/4" x 4 1/4" x 1 3/4")
- **Volume:** 0.05 cu ft (0.0013 cu m)
- **Total weight:** 0.57 lb (0.26 kg)

#### Maximum flow rate

- 9.5 liters/min. (2.5 gallons/min.) at 80 psi



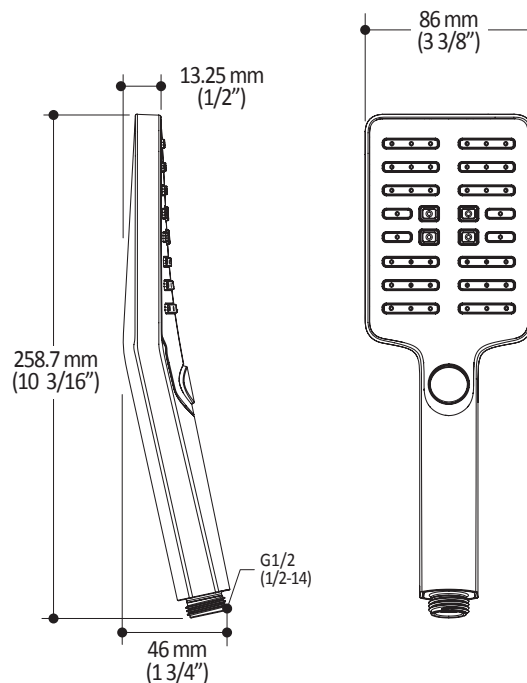
#### Installation Notes

This product must be installed following the installation instructions provided.

#### WARRANTY

Kalia inc. guarantees all aspects of its products to be free of defects in material and workmanship for normal residential use. Refer to the warranty included with the Kalia products for details.

Product dimensions:



**Important :** Dimensions are approximated and are subject to changes. Please refer to the installation instructions.



# Kalia

ONCE UPON A TIME...WATER®

1355, 2<sup>nd</sup> Street  
Sainte-Marie (Quebec)  
Canada G6E 1G9

T 418-387-9090  
1-877-GO-KALIA (1-877-465-2542)  
F 418-387-9089

KaliaStyle.com





# 102858

## Wallbar for Handshower

### SPECIFICATIONS

#### Features

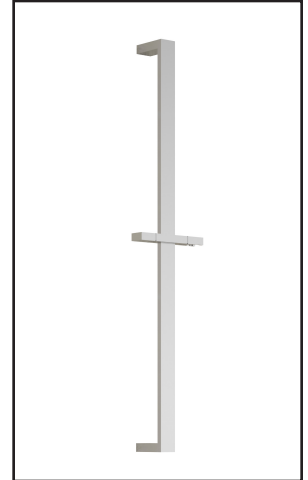
- Total height of 762mm (30")
- Locking system

#### Colors (Finishes)

- Chrome : 102858-110

#### Packaging

- **Dimensions:** 832mm x 152mm x 89mm  
(32 3/4" x 6" x 3 1/2")
- **Volume:** 0.40 cu ft (0.011 cu m)
- **Total weight:** 1.54 lb (0.7 kg)



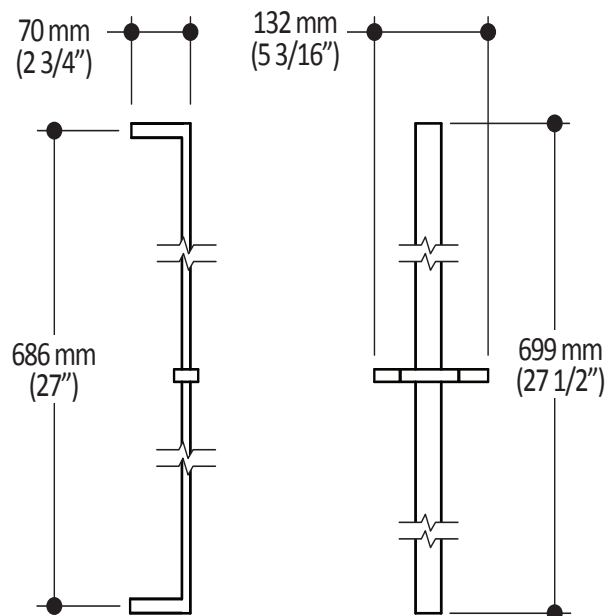
#### Installation Notes

This product must be installed following the installation instructions provided.

#### WARRANTY

Kalia Inc. guarantees all aspects of its products to be free of defects in material and workmanship for normal residential use. **Refer to the warranty included with the Kalia products for details.**

*Product dimensions:*



**Important:** Dimensions are approximated and are subject to changes. Please refer to the installation instructions.

**Kalia inc.**  
1355, 2nd Street  
Sainte-Marie (Quebec)  
Canada G6E 1G9

t. 1-418-387-9090  
1 877 GO KALIA (1-877-465-2542)  
f. 1-418-387-9089  
www.KaliaStyle.com

**Features**

- No visible screw
- Water 1/2" male inlet NPT threaded or welded
- Shut-off valves included
- Solid brass construction
- Total adjustment of 19mm (3/4")
- Ceramic cartridge
- Included support for better stability during installation
- Possibility of 3 components (3 direct positions and 2 shared positions)
- 1 small handle used to adjust the temperature
- 1 handle used to select a component

**Colors (Finishes)**

- Chrome : BF1309-110

**Certifications**

The specified model meets or exceeds the following standards;

- ASME A112.18.1 / CSA B125.1

**Packaging**

- **Dimensions:** 362mm x 184mm x 191mm (14 1/4" x 7 1/4" x 7 1/2")
- **Volume:** 0.45 cu ft (0.013 cu m)
- **Total weight:** 5.5 lb (2.5 kg)

**Maximum flow rate**

- 40 liters/min. (10.56 gallons/min.) at 60 psi

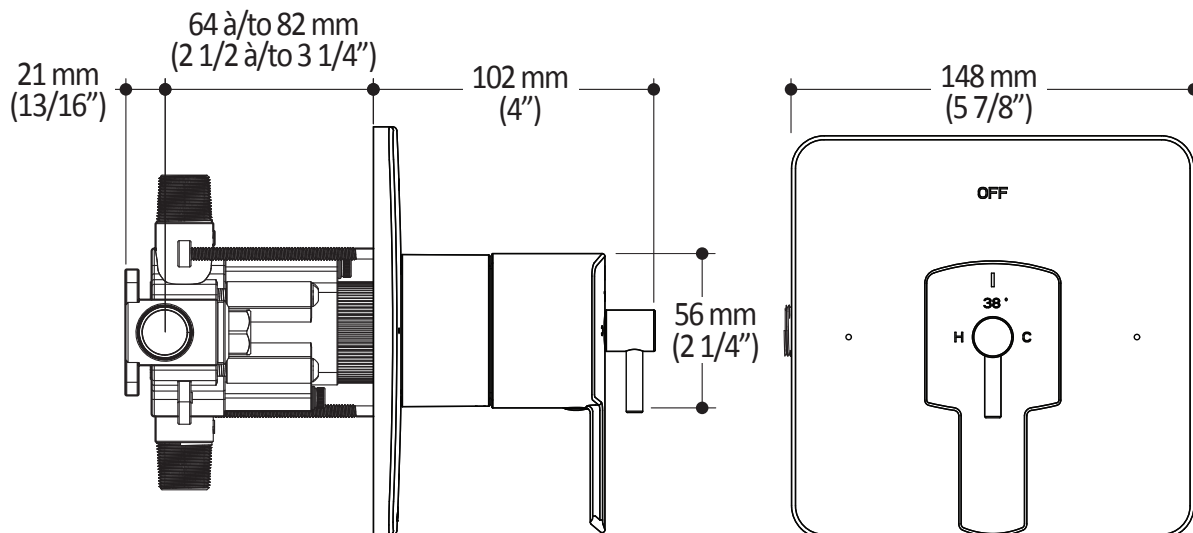
**Installation Notes**

This product must be installed following the installation instructions provided.

**WARRANTY**

Kalia Inc. guarantees all aspects of its products to be free of defects in material and workmanship for normal residential use. **Refer to the warranty included with the Kalia products for details.**

Product dimensions:



**Important:** Dimensions are approximated and are subject to changes. Please refer to the installation instructions.

**Kalia inc.**  
1355, 2nd Street  
Sainte-Marie (Quebec)  
Canada G6E 1G9

t. 1-418-387-9090  
1 877 GO KALIA (1-877-465-2542)  
f. 1-418-387-9089  
www.KaliaStyle.com



# 102856 Wall Outlet

## SPECIFICATIONS

### Features

- Water 1/2" NPT (male or female) inlet
- Water G1/2 male outlet
- Solid brass construction

### Colors (Finishes)

- Chrome : 102856-110

### Certifications

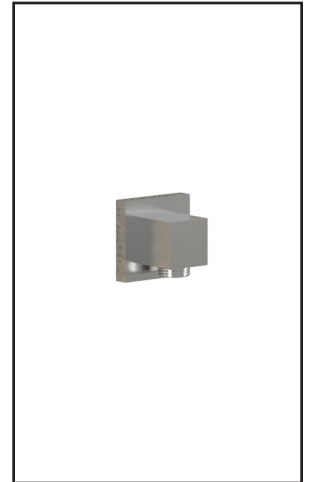
The specified model meets or exceeds the following standards;

- ASME A112.18.1 / CSA B125.1



### Packaging

- **Dimensions:** 305mm x 117mm x 92mm (12" x 4 5/8" x 3 5/8")
- **Volume:** 0.12 cu ft (0.003 cu m)
- **Total weight:** 0.53 lb (0.24 kg)



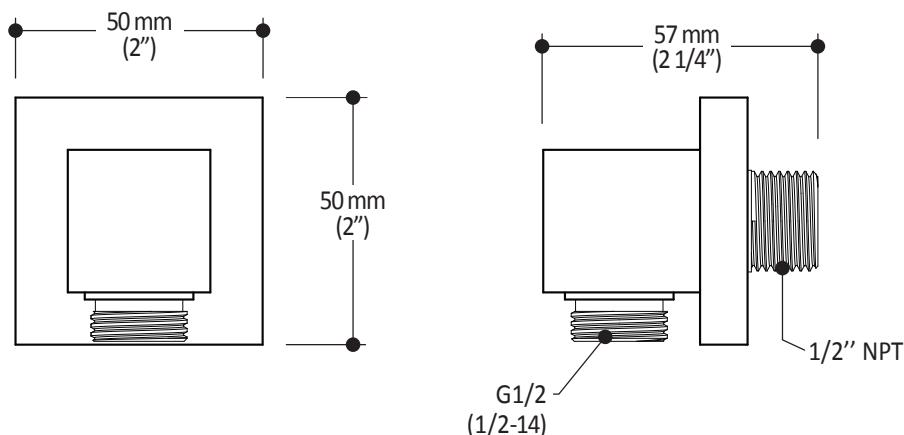
### Installation Notes

This product must be installed following the installation instructions provided.

### WARRANTY

Kalia Inc. guarantees all aspects of its products to be free of defects in material and workmanship for normal residential use. **Refer to the warranty included with the Kalia products for details.**

Product dimensions:



**Important:** Dimensions are approximated and are subject to changes. Please refer to the installation instructions.

**Kalia inc.**  
1355, 2nd Street  
Sainte-Marie (Quebec)  
Canada G6E 1G9

t. 1-418-387-9090  
1 877 GO KALIA (1-877-465-2542)  
f. 1-418-387-9089  
www.KaliaStyle.com



# 102871 Tub Spout

## SPECIFICATIONS

### Features

- Solid brass construction
- Water jet
- High water flow
- Water 1/2" male inlet NPT

### Colors (Finishes)

- Chrome : 102871-110

### Certifications

The specified model meets or exceeds the following standards;

- ASME A112.18.1 / CSA B125.1



### Packaging

- **Dimensions:** 305mm x 117mm x 92mm (12" x 4 5/8" x 3 5/8")
- **Volume:** 0.12 cu ft (0.003 cu m)
- **Total weight:** 1.10 lb (0.5 kg)



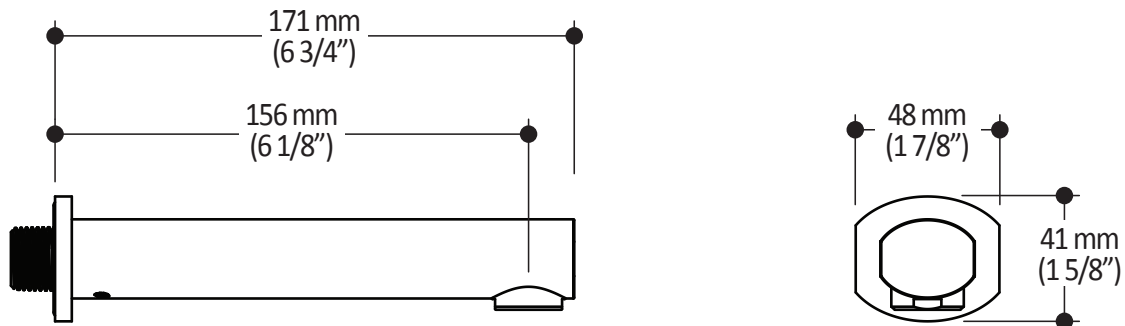
### Installation Notes

This product must be installed following the installation instructions provided.

### WARRANTY

Kalia Inc. guarantees all aspects of its products to be free of defects in material and workmanship for normal residential use. **Refer to the warranty included with the Kalia products for details.**

Product dimensions:



**Important:** Dimensions are approximated and are subject to changes. Please refer to the installation instructions.

**Kalia inc.**  
1355, 2nd Street  
Sainte-Marie (Quebec)  
Canada G6E 1G9

t. 1-418-387-9090  
1 877 GO KALIA (1-877-465-2542)  
f. 1-418-387-9089  
www.KaliaStyle.com