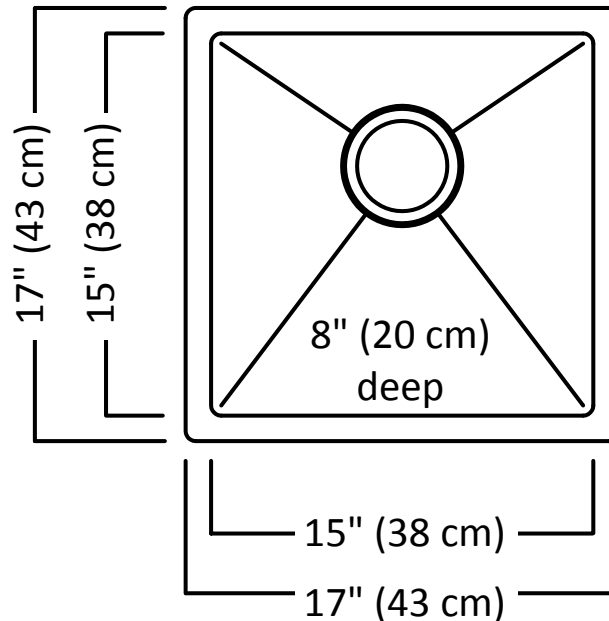


**ESUF1717/8 Specification**

<b>Material</b>	<ul style="list-style-type: none"><li>• 18 gauge, 18-10 stainless steel, type 304</li></ul>
<b>Corner radius</b>	<ul style="list-style-type: none"><li>• 10 mm radius corners</li></ul>
<b>Single bowl size</b>	<ul style="list-style-type: none"><li>• 15" x 15" x 8"</li></ul>
<b>Overall size</b>	<ul style="list-style-type: none"><li>• 17" x 17" x 8" (43 x 43 x 20 cm)</li></ul>
<b>Drain location</b>	<ul style="list-style-type: none"><li>• Rear</li></ul>
<b>Inclusions</b>	<ul style="list-style-type: none"><li>• Undercoating and sound deadening pads</li><li>• EA114 basket strainer waste</li><li>• Satin bowl and ledge</li></ul>
<b>Finish</b>	
<b>Recommended cabinet size</b>	<ul style="list-style-type: none"><li>• 24"</li></ul>

**NOTE:**

All product CUPC certified excepting strainers (which are CSA certified). Product includes template, hold down clamps - individually boxed.