

**Focus**  
**Prep Kitchen Faucet, 2-Spray Pull-Down, 1.75 GPM**  
 Finish: **Brushed Gold Optic** Part no. : **04506251**



**Description**

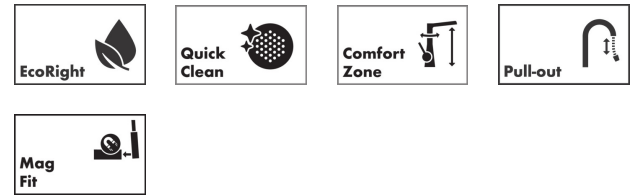
**Features**

- Swivel range 150°
- Laminar spray, shower spray
- Toggle spray diverter with pause feature (allows temporary stop of water stream)
- MagFit magnetic sprayhead docking
- Deck-mounted
- Maximum flow rate : 1.75 GPM
- Ceramic cartridge
- G 3/8 hose connections
- Integrated backflow prevention
- Extension length up to 19 5/8" (50cm)
- Kitchen faucet, connection hoses, mounting set, service key, assembly instruction

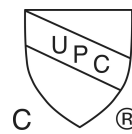
**Item details**

List Price \$ 918.00

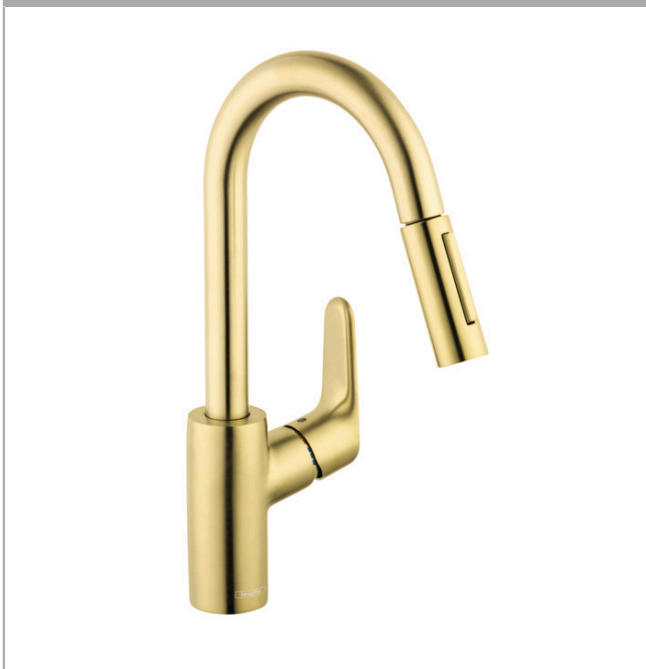
**Technology**



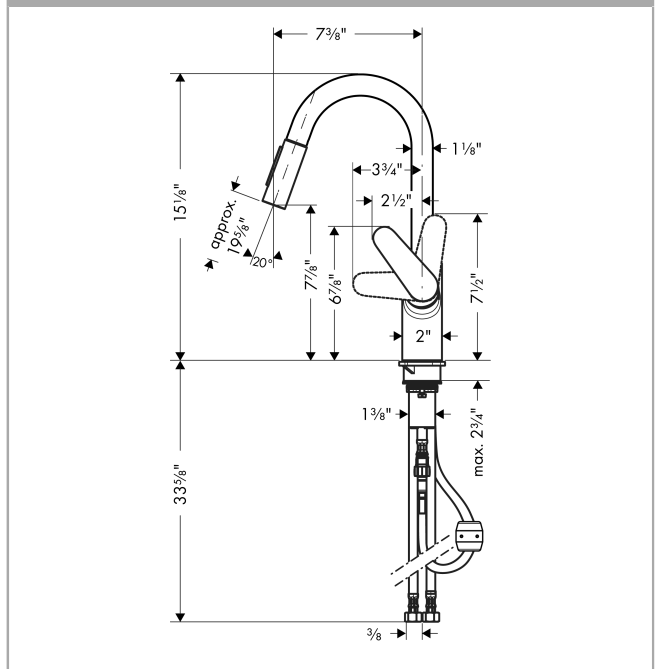
**Compliance / Sustainability**



**Product image**



**Scale drawing**

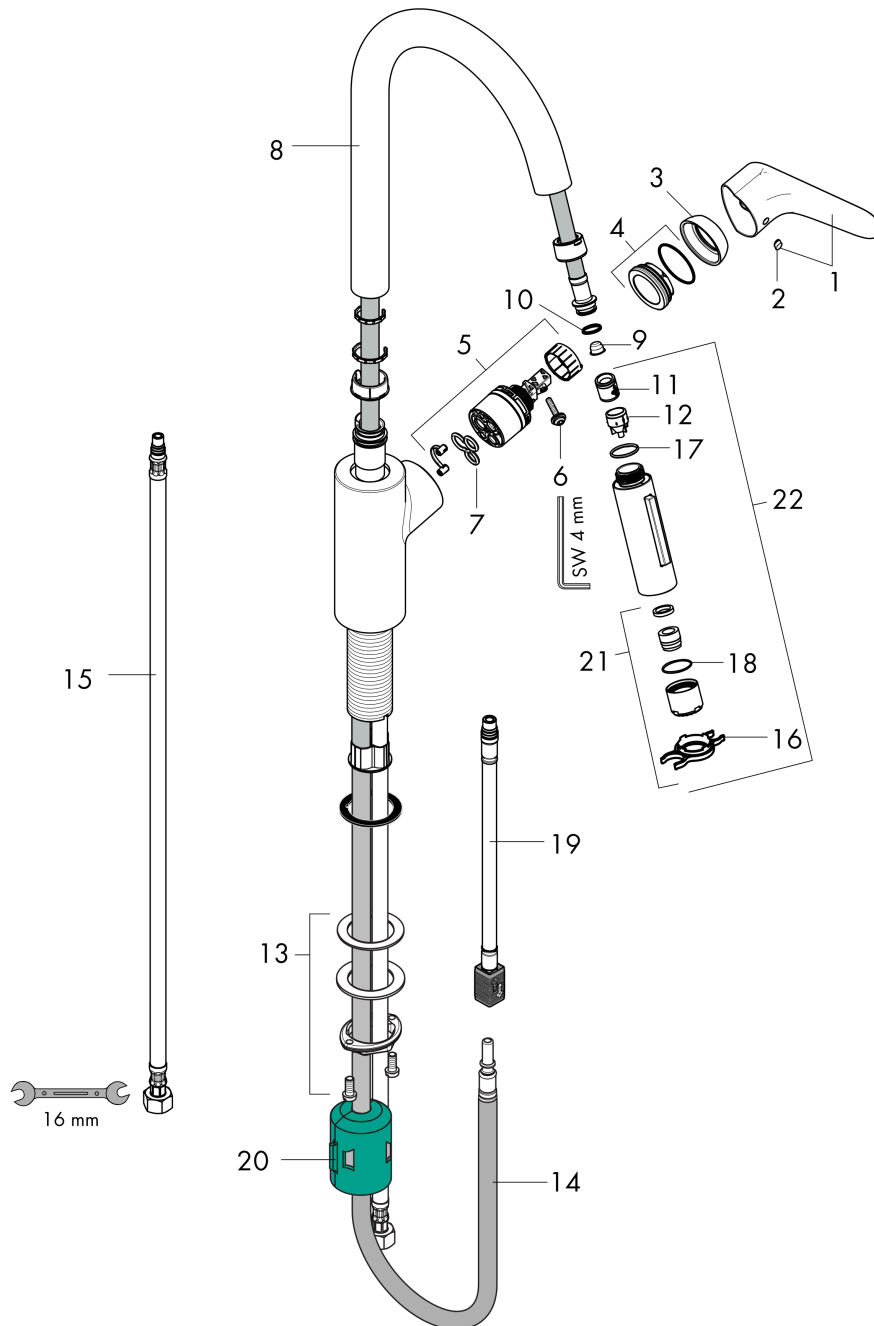


**Focus**  
**Prep Kitchen Faucet, 2-Spray Pull-Down, 1.75 GPM**  
 Finish: **Brushed Gold Optic** Part no. : **04506251**



Exploded drawing

Year of production: >02/25



## Focus

**Prep Kitchen Faucet, 2-Spray Pull-Down, 1.75 GPM**

Finish: **Brushed Gold Optic** Part no. : **04506251**



### Spare parts list

Year of production: >02/25

Pos.	Description	Part no.	Price	PU
1	handle	98460250	-	1
2	screw cover	96338000	-	1
3	flange	95498250	-	1
4	nut	97209000	-	1
5	cartridge, assy	92730000	-	1
6	locking screw for handle	95140000	-	1
7	seal	95008000	-	1
8	spout cpl.	95562250	-	1
9	filter	97735000	-	1
10	O-ring 11x2	98127000	-	1
11	non return valve	93218000	-	1
12	set of non return valves DW 15	97350000	-	1
13	fixing set (Ø 34)	95049000	-	1
14	hose 1,50 m	88624000	-	1
15	connection hose 35½" M8x0,75 3/8"	96316001	-	1
16	service tool	95910000	-	1
17	O-ring 18x1,5	98231000	-	1
18	O-ring 20x1	98140000	-	1
19	connection hose 600 mm M10x1	95561000	-	1
20	weight	98551000	-	1
21	aerator laminar M22x1 (15 l/min)	95909000	-	1
22	handspray	98459251	-	1