

MOEN®

There is more than one version of this model.
Page down to identify the version you have.

FAUCET DESCRIPTION

- Versatile, hands-free convenience in the kitchen
- PowerClean™ Spray technology
- Allows users to control the faucet in 3 unique ways: Wave Sensor, Ready Sensor and familiar handle
- Powered by 6 AA batteries or optional AC adapter with power splitter
- Reflex™ pulldown system offers smooth operation, easy movement and secure docking
- Metal construction with various finishes identified by suffix
- Quick connect installation
- Pulldown spray with 68" braided hose
- Control box flexible supply lines with 3/8" compression fittings
- High arc spout provides height and reach to fill or clean large pots while pull down wand provides the maneuverability for cleaning or rinsing

OPERATION

- Lever style handle
- Temperature controlled by 100° arc of handle travel
- Operates with less than 5 lbs. of force
- Operates in stream or spray mode in the pulldown or retracted position
- Spout rotates 100 degrees

FLOW

- Flow is limited to 1.5 gpm (5.7 L/min) at 60 psi

CARTRIDGE

- 1255™ Duralast™ cartridge

STANDARDS

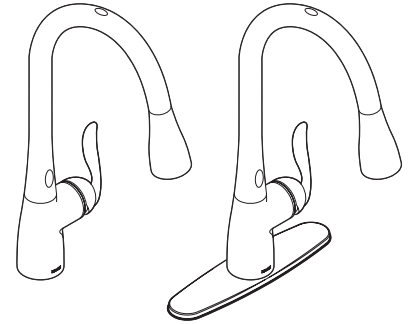
- Third party certified to IAPMO Green, ASME A112.18.1/CSA B125.1 and all applicable requirements referenced therein including NSF 61/9G & 372
- Meets CalGreen and Georgia SB370 requirements
- Complies with California Proposition 65 and with the Federal Safe Drinking Water Act
- The backflow protection system in the device consists of two independently operating check valves, a primary and a secondary which prevent backflow
- ADA ♿ for lever handle

WARRANTY

- Limited lifetime warranty against leaks, drips, finish defects to the original consumer purchaser
- 5 year warranty electronic operation defects to the original consumer purchaser
- 5 year warranty against leaks, drips, finish defects if used in commercial installations
- 1 year warranty against electronic operation defects if used in commercial installations

Visit www.moen.com/support for complete details and limitations

Specifications



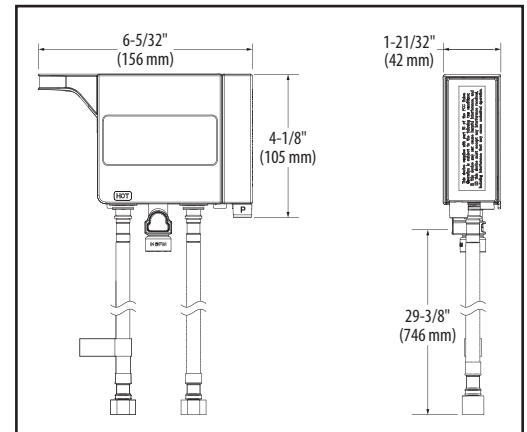
Arbor® with MotionSense™ Single Handle High Arc Pulldown Kitchen Faucet

Models: 7594E series

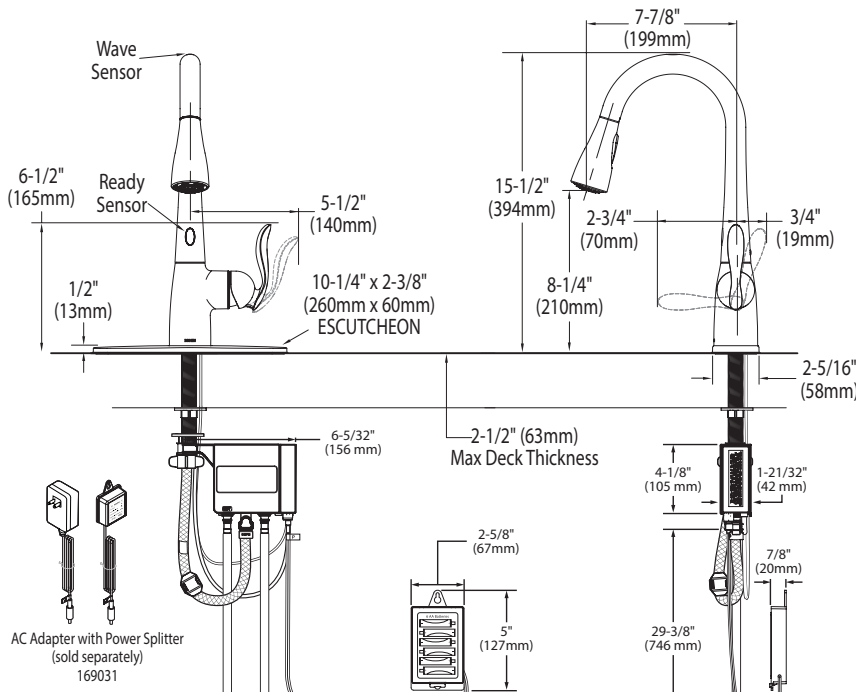
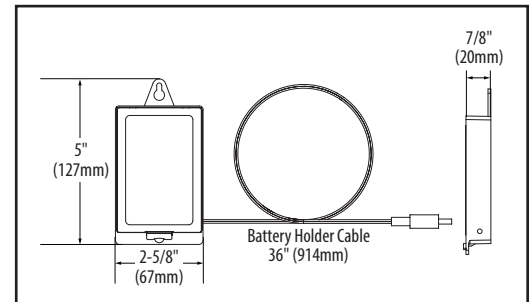
NOTE: THIS FAUCET IS DESIGNED TO BE
INSTALLED THROUGH 1 HOLE, 1-1/2"
(38mm) MIN. DIA.



Close up view of Control Box



Battery Holder



CRITICAL DIMENSIONS

(DO NOT SCALE)

FAUCET DESCRIPTION

- Versatile, hands-free convenience in the kitchen
- PowerClean™ Spray technology
- Allows users to control the faucet in 3 unique ways: Wave Sensor, Ready Sensor and familiar handle
- Powered by 6 AA batteries or optional AC adapter with power splitter
- Reflex™ pulldown system offers smooth operation, easy movement and secure docking
- Metal construction with various finishes identified by suffix
- Quick connect installation
- Pulldown spray with 68" braided hose
- Control box flexible supply lines with 3/8" compression fittings
- High arc spout provides height and reach to fill or clean large pots while pull down wand provides the maneuverability for cleaning or rinsing

OPERATION

- Lever style handle
- Temperature controlled by 100° arc of handle travel
- Operates with less than 5 lbs. of force
- Operates in stream or spray mode in the pulldown or retracted position
- Spout rotates 100 degrees

FLOW

- Flow is limited to 1.5 gpm (5.7 L/min) at 60 psi

CARTRIDGE

- 1255™ Duralast™ cartridge

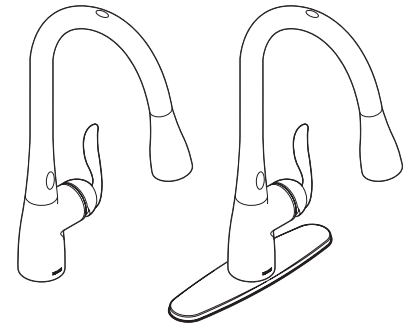
STANDARDS

- Third party certified to IAPMO Green, ASME A112.18.1/CSA B125.1 and all applicable requirements referenced therein including NSF 61/9G & 372
- Meets CalGreen and Georgia SB370 requirements
- Complies with California Proposition 65 and with the Federal Safe Drinking Water Act
- The backflow protection system in the device consists of two independently operating check valves, a primary and a secondary which prevent backflow
- ADA ♿ for lever handle

WARRANTY

- Limited lifetime warranty against leaks, drips, finish defects to the original consumer purchaser
- 5 year warranty electronic operation defects to the original consumer purchaser
- 5 year warranty against leaks, drips, finish defects if used in commercial installations
- 1 year warranty against electronic operation defects if used in commercial installations

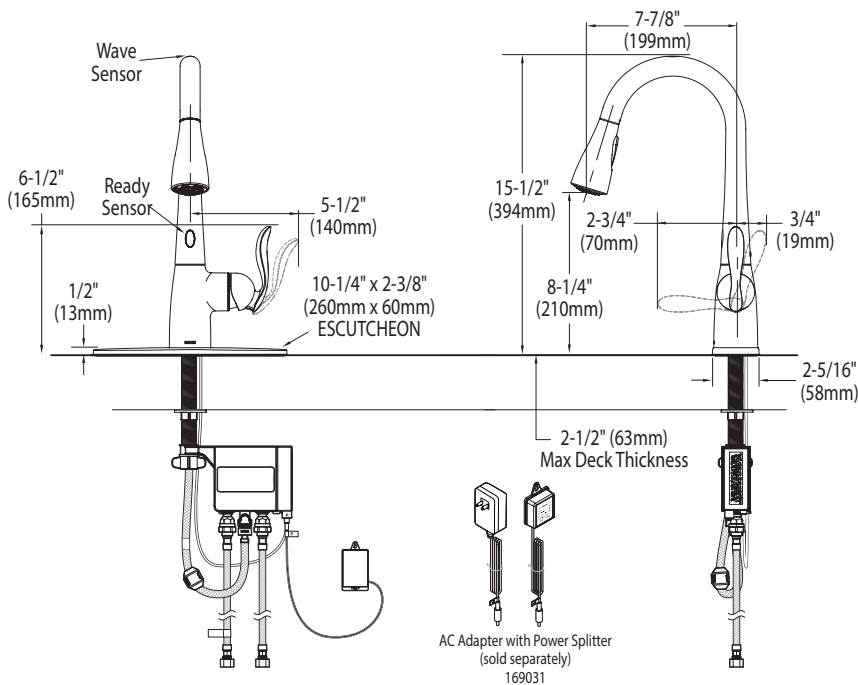
Visit www.moen.com/support for complete details and limitations



Arbor® with MotionSense™ Single Handle High Arc Pulldown Kitchen Faucet

Models: 7594E series

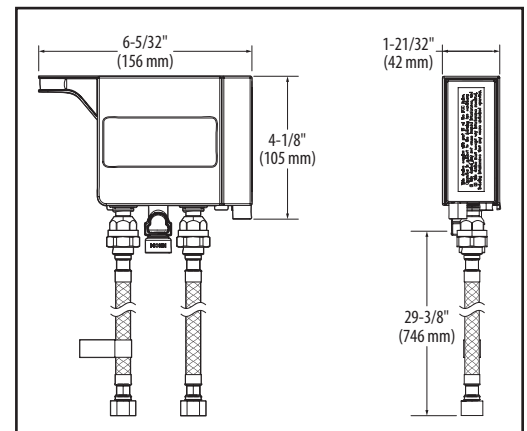
NOTE: THIS FAUCET IS DESIGNED TO BE
INSTALLED THROUGH 1 HOLE, 1-1/2"
(38mm) MIN. DIA.



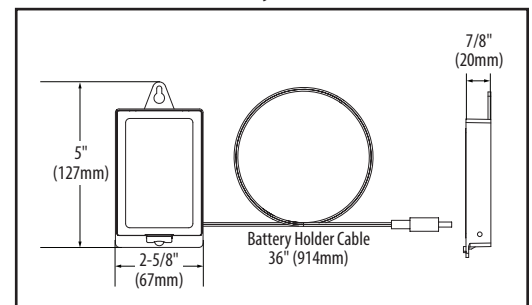
CRITICAL DIMENSIONS

(DO NOT SCALE)

Close up view of Control Box



Battery Holder



FAUCET DESCRIPTION

- Versatile, hands-free convenience in the kitchen
- PowerClean™ Spray technology
- Allows users to control the faucet in 3 unique ways: Wave Sensor, Ready Sensor and familiar handle
- Powered by 6 AA batteries or optional AC adapter with power splitter
- Reflex™ pulldown system offers smooth operation, easy movement and secure docking
- Metal construction with various finishes identified by suffix
- Quick connect installation
- Pulldown spray with 68" braided hose
- Control box flexible supply lines with 3/8" compression fittings
- High arc spout provides height and reach to fill or clean large pots while pull down wand provides the maneuverability for cleaning or rinsing

OPERATION

- Lever style handle
- Temperature controlled by 100° arc of handle travel
- Operates with less than 5 lbs. of force
- Operates in stream or spray mode in the pulldown or retracted position
- Spout rotates 100 degrees

FLOW

- Flow is limited to 1.5 gpm (5.7 L/min) at 60 psi

CARTRIDGE

- 1255™ Duralast™ cartridge

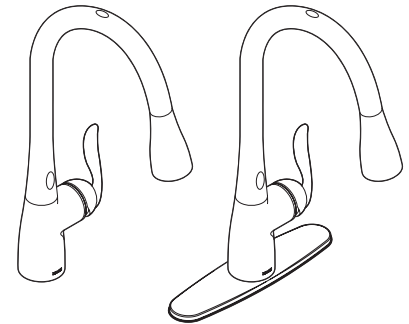
STANDARDS

- Third party certified to IAPMO Green, ASME A112.18.1/CSA B125.1 and all applicable requirements referenced therein including NSF 61/9G & 372
- Meets CalGreen and Georgia SB370 requirements
- Complies with California Proposition 65 and with the Federal Safe Drinking Water Act
- The backflow protection system in the device consists of two independently operating check valves, a primary and a secondary which prevent backflow
- ADA ♿ for lever handle

WARRANTY

- Limited lifetime warranty against leaks, drips, finish defects to the original consumer purchaser
- 5 year warranty electronic operation defects to the original consumer purchaser
- 5 year warranty against leaks, drips, finish defects if used in commercial installations
- 1 year warranty against electronic operation defects if used in commercial installations

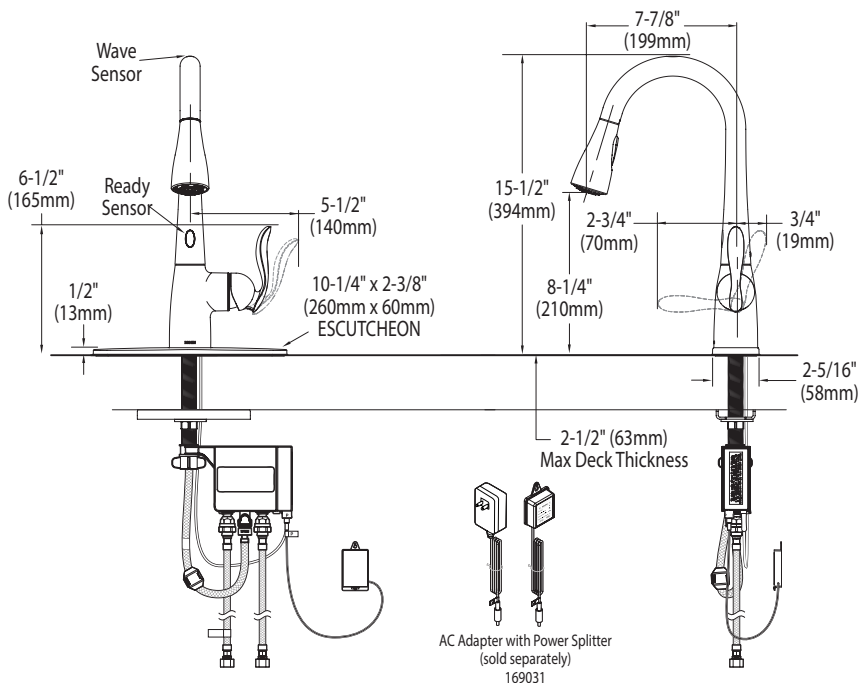
Visit www.moen.com/support for complete details and limitations



Arbor® with MotionSense™ Single Handle High Arc Pulldown Kitchen Faucet

Models: 7594E series

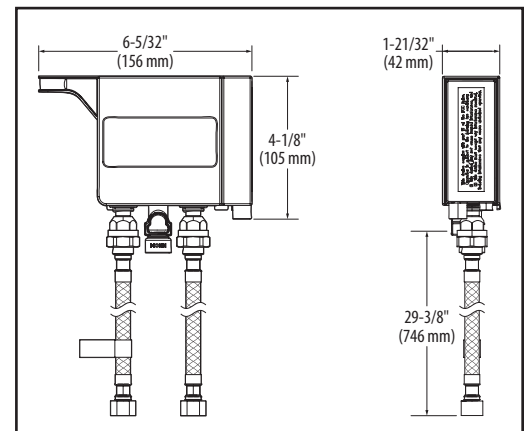
NOTE: THIS FAUCET IS DESIGNED TO BE
INSTALLED THROUGH 1 HOLE, 1-1/2"
(38mm) MIN. DIA.



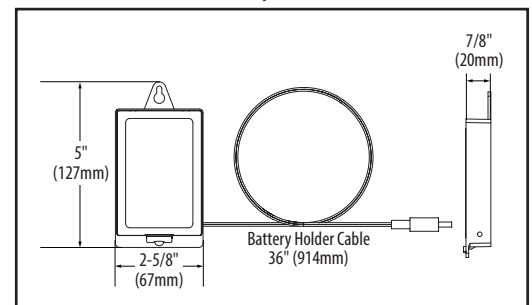
CRITICAL DIMENSIONS

(DO NOT SCALE)

Close up view of Control Box



Battery Holder



FAUCET DESCRIPTION

- Versatile, hands-free convenience in the kitchen
- Allows users to control the faucet in 3 unique ways: Wave Sensor, Ready Sensor and familiar handle
- Powered by 6 AA batteries or optional AC adapter with power splitter
- Reflex™ pulldown system offers smooth operation, easy movement and secure docking
- Metal construction with various finishes identified by suffix
- Quick connect installation
- Pulldown spray with 68" braided hose
- Control box flexible supply lines with 3/8" compression fittings
- High arc spout provides height and reach to fill or clean large pots while pull down wand provides the maneuverability for cleaning or rinsing

OPERATION

- Lever style handle
- Temperature controlled by 100° arc of handle travel
- Operates with less than 5 lbs. of force
- Operates in stream or spray mode in the pulldown or retracted position
- Spout rotates 100 degrees

FLOW

- Flow is limited to 1.5 gpm (5.7 L/min) at 60 psi

CARTRIDGE

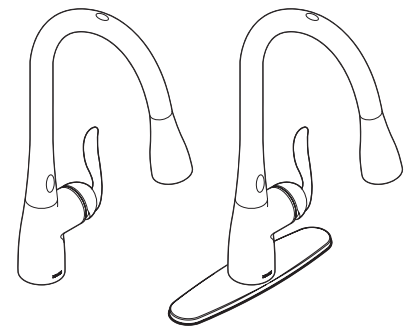
- 1255™ Duralast™ cartridge

STANDARDS

- Third party certified to IAPMO Green, ASME A112.18.1/CSA B125.1 and all applicable requirements referenced therein including NSF 61/9G & 372
- Meets CalGreen and Georgia SB370 requirements
- Complies with California Proposition 65 and with the Federal Safe Drinking Water Act
- The backflow protection system in the device consists of two independently operating check valves, a primary and a secondary which prevent backflow
- ADA ♿ for lever handle

WARRANTY

- Limited lifetime warranty against leaks, drips, finish defects to the original consumer purchaser
- 5 year warranty electronic operation defects to the original consumer purchaser
- 5 year warranty against leaks, drips, finish defects if used in commercial installations
- 1 year warranty against electronic operation defects if used in commercial installations



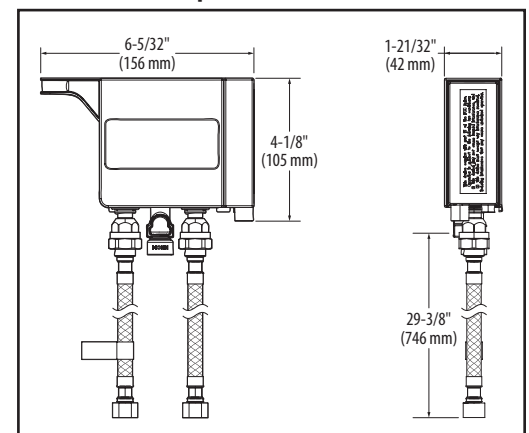
Arbor® with MotionSense™ Single Handle High Arc Pulldown Kitchen Faucet

Models: 7594E series

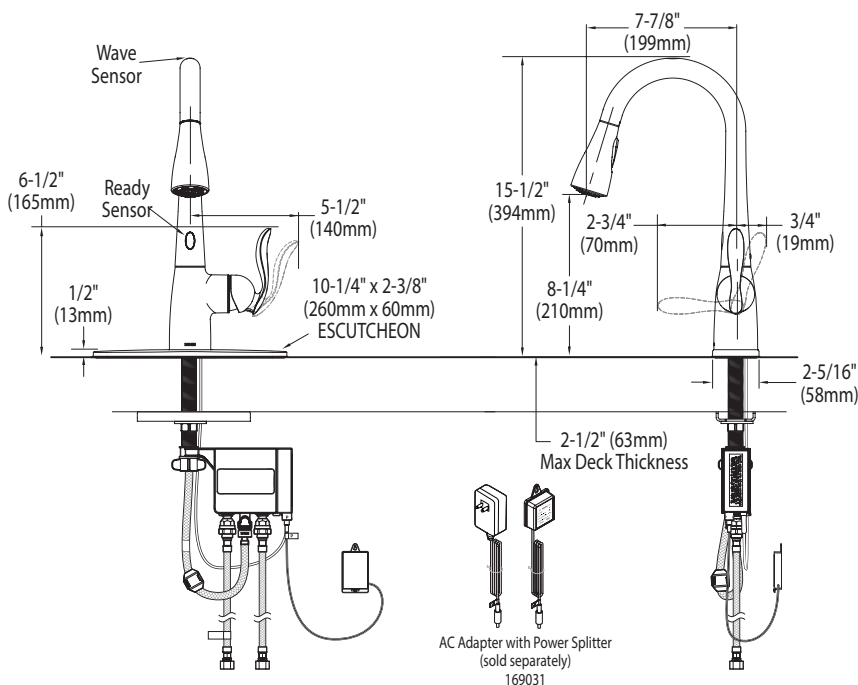
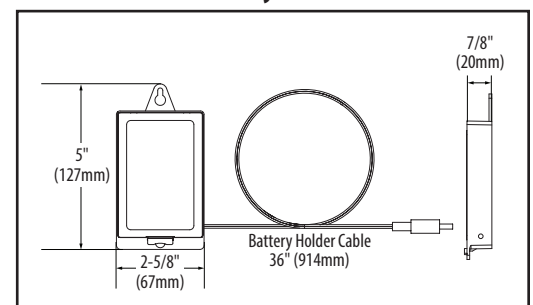
NOTE: THIS FAUCET IS DESIGNED TO BE
INSTALLED THROUGH 1 HOLE, 1-1/2"
(38mm) MIN. DIA.



Close up view of Control Box



Battery Holder



CRITICAL DIMENSIONS

(DO NOT SCALE)

FAUCET DESCRIPTION

- Versatile, hands-free convenience in the kitchen
- Power Clean™ Spray Technology
- Allows users to control the faucet in 3 unique ways: Wave Sensor, Ready Sensor and familiar handle
- Powered by 6 AA batteries or optional AC adapter with power splitter
- Reflex™ pull-down system offers smooth operation, easy movement and secure docking
- Metal construction with various finishes identified by suffix
- Quick connect installation
- Pull-down spray with 68" braided hose
- Control box flexible supply lines with 3/8" compression fittings
- High arc spout provides height and reach to fill or clean large pots while pull down wand provides the maneuverability for cleaning or rinsing

OPERATION

- Lever style handle
- Temperature controlled by 100° arc of handle travel
- Operates with less than 5 lbs. of force
- Operates in stream or spray mode in the pull-down or retracted position
- Spout rotates 100 degrees

FLOW

- Flow is limited to 1.5 gpm (5.7 L/min) at 60 psi

CARTRIDGE

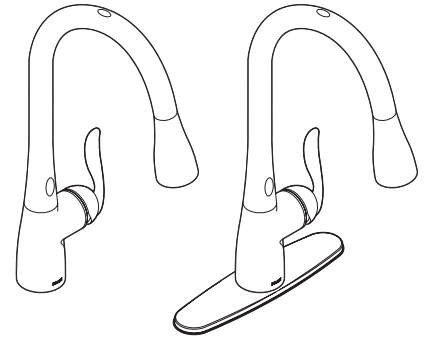
- 1255™ Duralast™ cartridge

STANDARDS

- Third party certified to IAPMO Green, ASME A112.18.1/CSA B125.1 and all applicable requirements referenced therein including NSF 61/9G & 372
- Meets CalGreen and Georgia SB370 requirements
- Complies with California Proposition 65 and with the Federal Safe Drinking Water Act
- The backflow protection system in the device consists of two independently operating check valves, a primary and a secondary which prevent backflow
- ADA ♿ for lever handle

WARRANTY

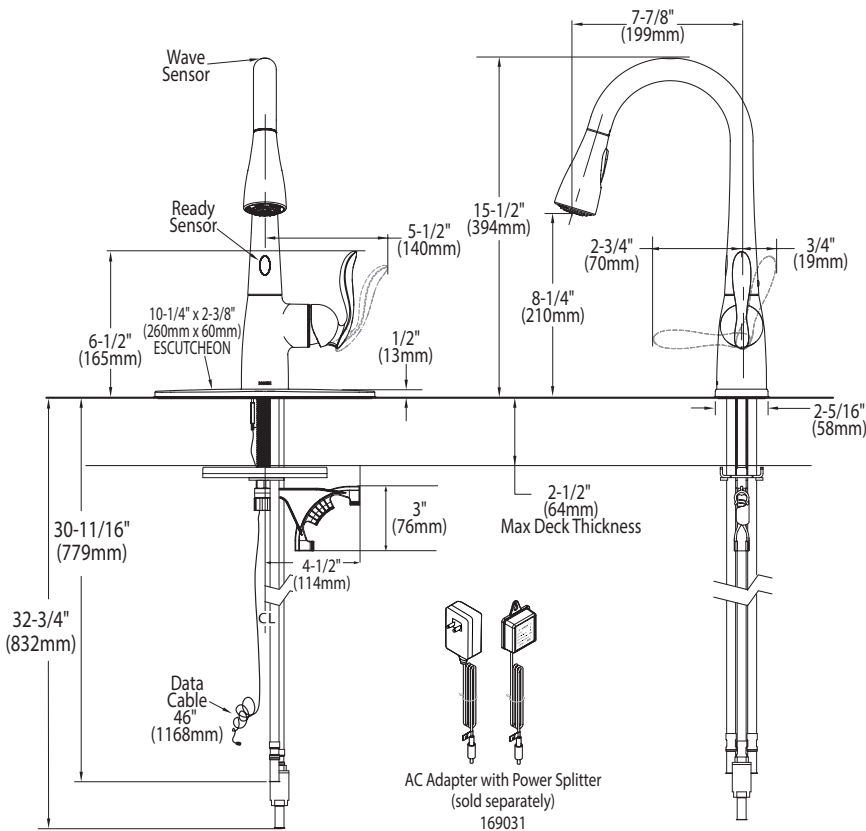
- Limited lifetime warranty against leaks, drips, finish defects to the original consumer purchaser
- 5 year warranty electronic operation defects to the original consumer purchaser
- 5 year warranty against leaks, drips, finish defects if used in commercial installations
- 1 year warranty against electronic operation defects if used in commercial installations



Arbor® with MotionSense™ Single Handle High Arc Pull-down Kitchen Faucet

Models: 7594E series

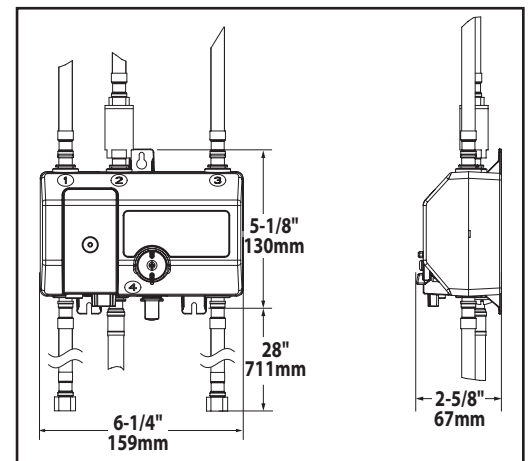
NOTE: THIS FAUCET IS DESIGNED TO BE
INSTALLED THROUGH 1 HOLE, 1-1/2"
(38mm) MIN. DIA.



CRITICAL DIMENSIONS

(DO NOT SCALE)

Close up view of Control Box



Battery Holder

