

Logis

Single-Hole Bidet Faucet

Finish: **Brushed Nickel** Part no. : **71200821**

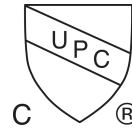


Description

Features

- Consists of: single-hole bidet faucet
- Aerator with ball pivot
- Maximum flow rate (at 3 bar): 5.7 l/min
- Ceramic cartridge

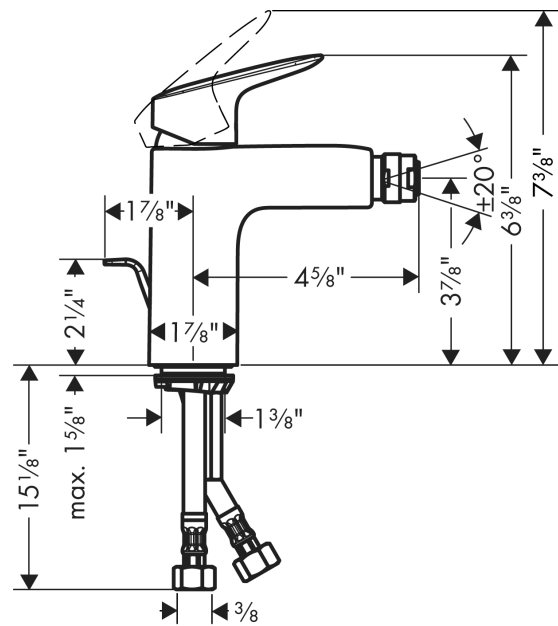
Compliance / Sustainability



Product image



Scale drawing

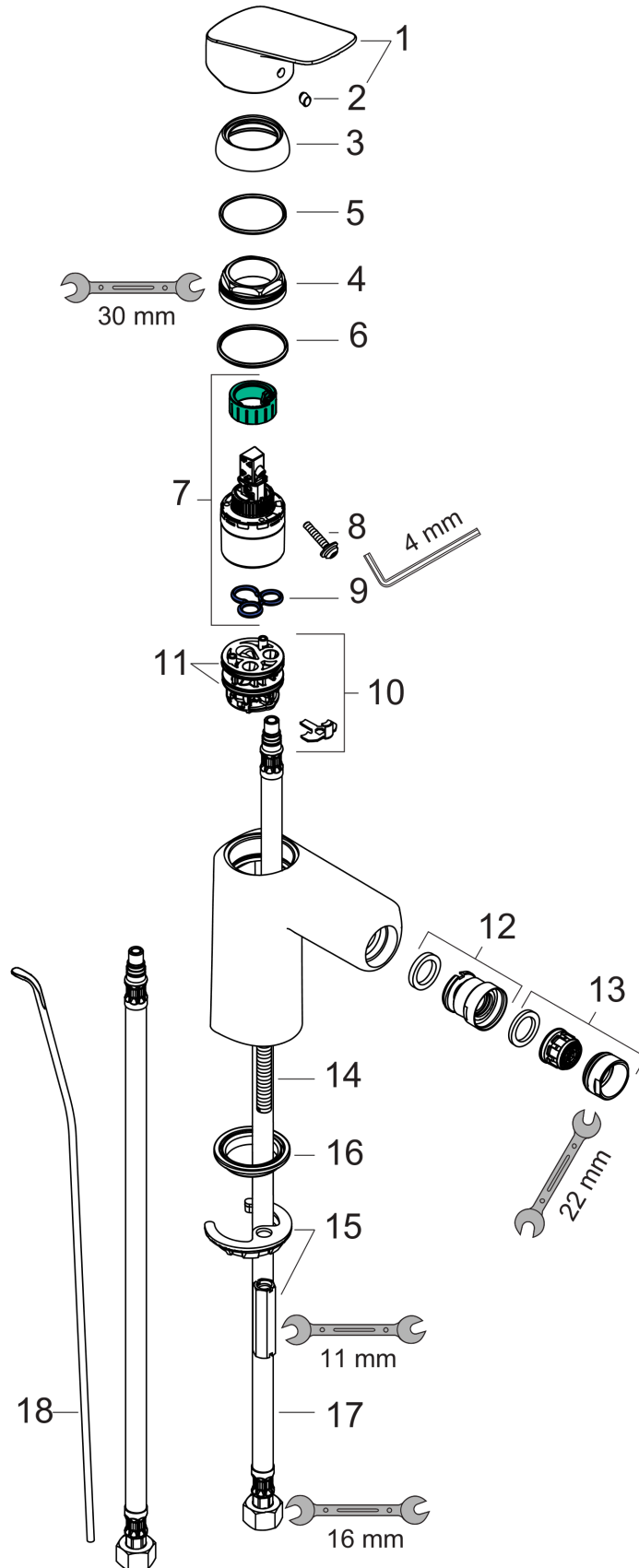


Logis
Single-Hole Bidet Faucet
 Finish: **Brushed Nickel** Part no. : **71200821**



Exploded drawing

Year of production: >07/15



Logis

Single-Hole Bidet Faucet

Finish: **Brushed Nickel** Part no. : **71200821**



Spare parts list

Year of production: >07/15

Pos.	Description	Part no.	PC	PU
1	handle	92224820	0	1
2	screw cover	96338000	0	1
3	flange	97406820	0	1
4	nut	97209000	0	1
5	O-Ring 32x2	98193000	0	1
6	O-ring 35x2	92604000	0	1
7	cartridge, assy	92730000	0	1
8	locking screw for handle	95140000	0	1
9	seal	95008000	0	1
10	adapter for cartridge	98750000	0	1
11	O-Ring 30x2	98186000	0	1
12	ball joint	92036820	0	1
13	aerator M24x1 (7 l/min)	13912820	0	1
14	screw M8 x 68	97736000	0	1
15	seal	97608000	0	1
16	fixing set	96016000	0	1
17	connection hose 18½" M8x0,75 3/8"	96321001	0	1
18	pull rod	96657820	0	1
a	pop up waste	88509820	0	1