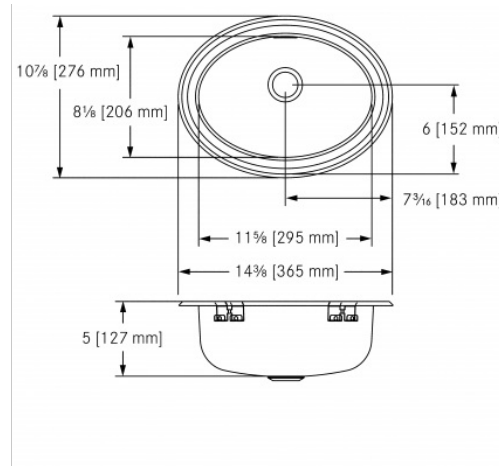


VANITY BASIN: V1114/5

V1114/5 | 2000102516



Single compartment self rimming vanity basin less faucet ledge. 18 gauge (1.2 mm), type 304 (CNS 18/10) stainless steel. Mirror finished rim, #4 satin finished bowl. Undercoated to reduce condensation and resonance. Includes factory applied rim seal, cutout template, and installation hardware. Certified to ASME A112.19.3-2008 / CSA B45.4-08.

Wheelchair accessible: meets ADA (Americans with disabilities act guidelines), ANSI A117.1 (Accessible and usable buildings and facilities), and CSA B651-04 (Accessible design for the built environment). Check local codes to ensure compliance
Center back waste location, accepts 1 1/4" (32 mm) waste assembly (not included).

Model Options:

V1114/5D - Center back waste location. Includes 1 1/2" (38 mm) duplex waste assembly with rubber stopper.

V1114/5 - Custom, non-returnable

TECHNICAL DATA

type of basin	vanity basin
bowl depth	5"
Bowl finish	SATIN-FINISHED
Bowl front to back	8 1/8"
Bowl left to right	11 5/8"
gross weight	3.01 kg
material	STAINLESS-STEEL
material code	1.4301 Chrome Nickel steel V2A
material thickness grade	18 gauge (1.2 mm)
Overall front to back	10 7/8"
Overall left to right	14 3/8"
overflow	no
Faucet ledge	No
type of waste kit	optional grid strainer
undercoated	yes
waste hole position	centre back
waste size	DN 32
net weight	2.31 kg
Wheelchair compliant	yes

PROJECT INFORMATION

Item Location _____

Project Number _____

Quote Number _____

Notes _____

Engineer's Approval