

SPECIFICATIONS

DESCRIPTION

- 3/8" speedway compression
- Ceramic cartridge
- Push drain

FLOW

- 5.7 L/min, 1.5 gpm (US) 60psi *
- 1.9 L/min, 0.5 gpm (US) 60psi (EV01-05)
- 3.7 L/min, 1 gpm (US) 60psi (EV01)

EPA certification applicable to the indicated model only

STANDARDS

- ASME A112.18.1 / CSA B125.1
- NSF/ANSI standard 61 and 372
- ADA

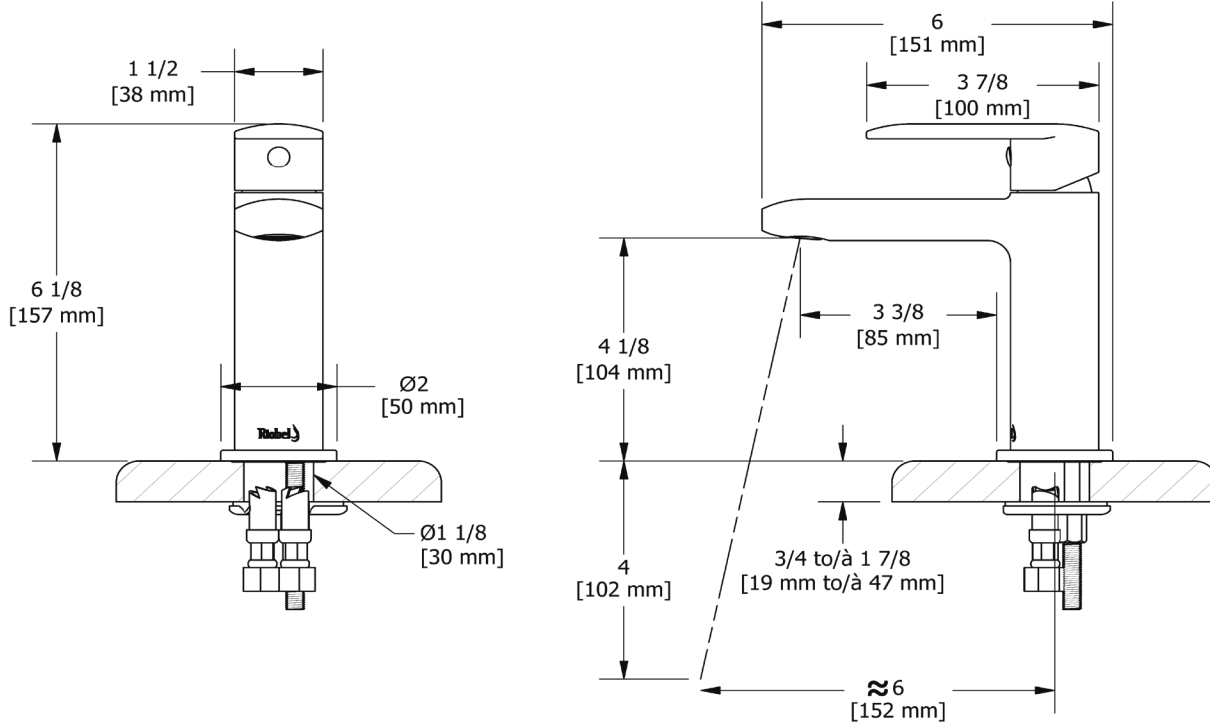
WARRANTY

- Most products or parts carry "Limited Warranties" against manufacturing defects. Please visit <https://riobelpro.ca/en/warranties> for complete product and finish warranty.



Single hole lavatory faucet

MODELS: EV01



For warranty or additional information, contact:

ONTARIO / WESTERN CANADA
 ONTARIO / QUÉBEC CANADIEN
 ONTARIO / CANADA OCCIDENTAL
riobelpro.ca/en/contact
 1-800-287-5354

QUEBEC / MARITIMES
 QUÉBEC / MARITIMES
 QUEBEC / MARITIMOS
riobelpro.ca/fr/contact
 1-866-473-8442