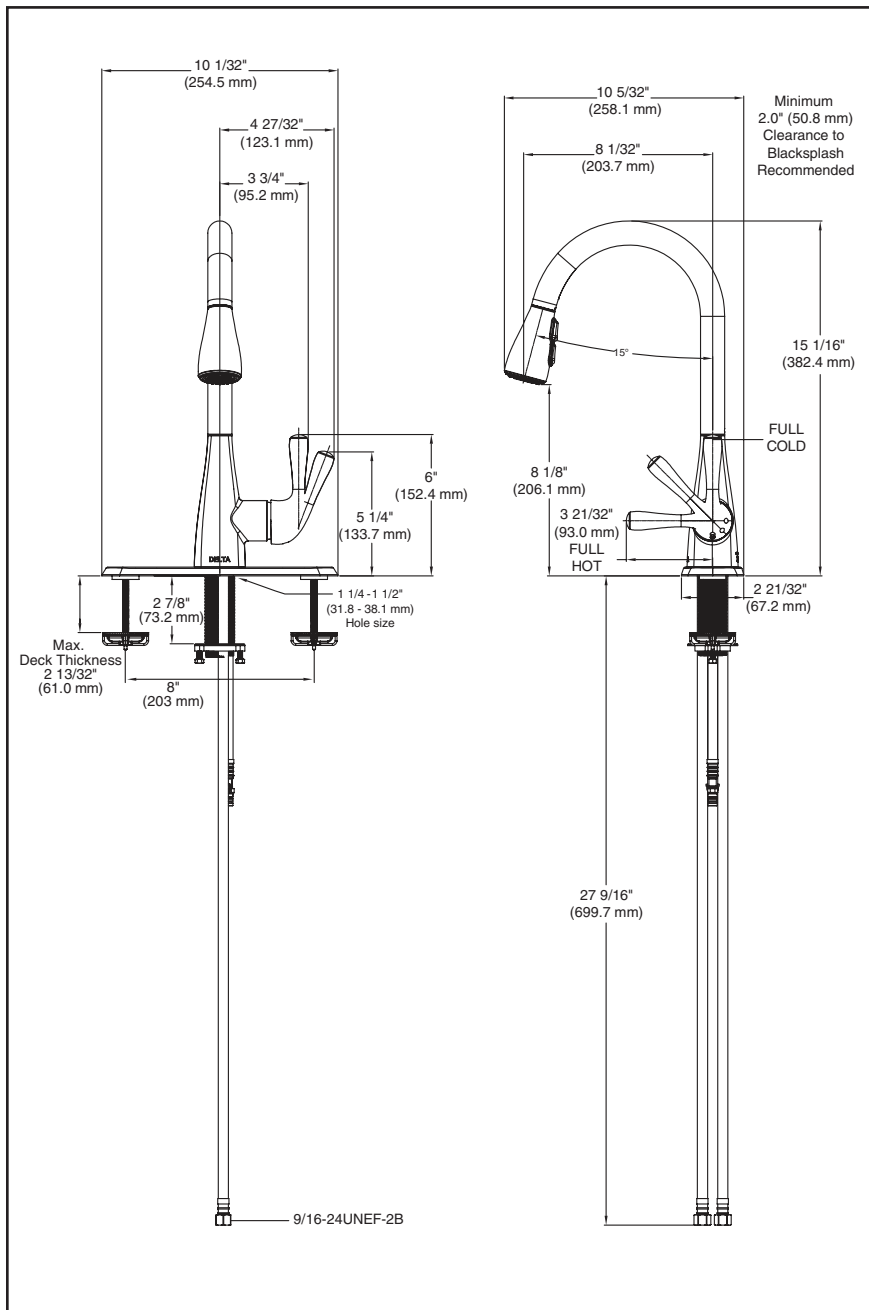


Submitted Model No.: _____

Specific Features: _____



KITCHEN FAUCETS

- Marley™ Pull-Down Kitchen Faucet
- Single Handle Deck Mount

STANDARD SPECIFICATIONS:

- Solid brass fabricated body.
- Single handle kitchen faucet.
- 8" centres with optional 10" long escutcheon (ordered separately).
- 15 1/16" (382.4 mm) high, 8 1/32" (203.7 mm) long spout, nestled in a metal hub, swings 360°.
- Pull-down spout operates in an aerated or spray mode via an easy push button.
- Touch-Clean® spray head.
- Quick Snap® hose installation.
- Spout is connected to valve body with a 59" (1499 mm) long hose.
- Ceramic cartridge.
- 30" (762 mm) flexible supply lines included.
- Standard with 9/16 – 24 UNF-2B (3/8" compression).
- Integral double check valves.
- Maximum flow rate 1.8 gpm @ 60 PSI.

WARRANTY

- Lifetime Faucet and Finish Limited Warranty to the original consumer purchaser to be free from defects in material and workmanship.
- 5 Year Limited Warranty for usage in all industrial, commercial and business applications.



COMPLIES WITH:

- Complies to ASME A112.18.1 / CSA B125.1
- Indicates compliance to ICC/ANSI A117.1
- Verified compliant with 0.25% weighted average Pb content regulations.

▲ Designate proper finish suffix

Delta reserves the right (1) to make changes in specifications and materials, and (2) to change or discontinue models, both without notice or obligation. Dimensions are for reference only. See current full-line price book or www.specselect.com for finish options and product availability.

DSP-K-986LF



55 E. 111th Street, Indianapolis, Indiana 46280
 350 South Edgeware Road, St. Thomas, ON N5P 4L1
 © 2015 Masco Corporation of Indiana