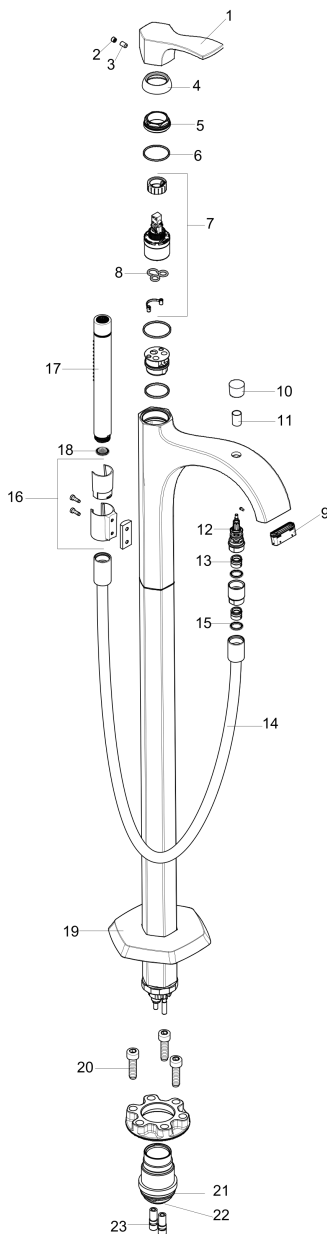


Locarno
Freestanding Tub Filler Trim with 1.75 GPM Handshower
 Finish: **Polished Nickel** Part no. : **04818830**



Exploded drawing

Year of production: >04/21



Locarno
Freestanding Tub Filler Trim with 1.75 GPM Handshower
 Finish: **Polished Nickel** Part no. : **04818830**



Spare parts list

Year of production: >04/21

Pos.	Description	Part no.	Price	PU
1	handle	93914830	-	1
2	screw cover	96762000	-	1
3	hollow set screw M6x6	98445000	-	1
4	flange	97406830	-	1
5	nut	97209000	-	1
6	O-Ring 32x2	98193000	-	1
7	cartridge, assy	92730000	-	1
8	seal	95008000	-	1
9	aerator cpl.	93916000	-	1
10	diverter knob	95284830	-	1
11	sleeve	97738830	-	1
12	selector	97978000	-	1
13	non return valve	97980000	-	1
14	shower hose 1,25 m	28282830	-	1
15	seal	98058000	-	1
16	shower holder, assy	96295830	-	1
17	filter packing	94246000	-	1
18	escutcheon	93915830	-	1
19	hexagon socket screw M10x35	97670000	-	1
20	O-ring 44x2,5	98162000	-	1
21	O-ring 29x3	98371000	-	1
22	O-ring 7x2	98419000	-	1
a	extension set 60 mm	93882000	-	1