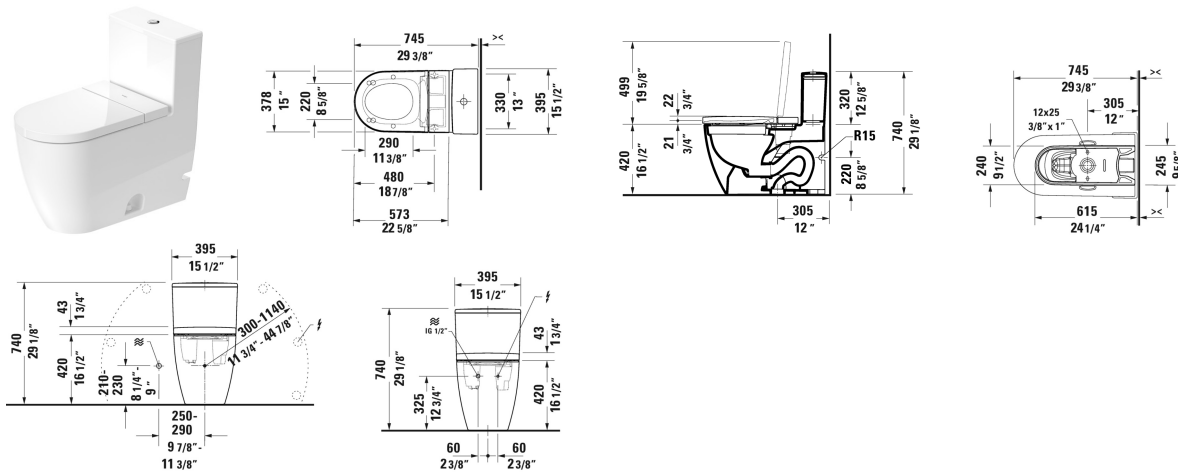


**ME by Starck One-Piece toilet Duravit Rimless® for SensoWash®**  
**f # 21890120U2**

| < 14 1/8" Inch > |



One-Piece toilet Duravit Rimless® for SensoWash® f	Dimension	Weight	Order number
rimless, syphonic, 12" rough-in, only in combination with SensoWash f, vertical outlet, with holes for external water supply, 1.32/0.92 gpf			
<b>Colors</b>			
20 HygieneGlaze (an antibacterial ceramic glaze that provides almost indefinite effectiveness)			
<b>Variant</b>			
	14 1/8" x 29 1/2" Inch	147.7 lb	21890120U2
<b>Infobox</b>			
Not available with WonderGliss			
Mounting set for One-Piece and Two-Piece toilets, outlet 3/8" - male thread, wall connection 1/2" - female thread, 1/2", North American version	17 3/4" Inch	1.1 lb	001417
<b>Suitable products</b>			
SensoWash® Starck f Plus shower toilet-seat Rear-, Lady- and Comfortwash, heated seat, warm air dryer, individual adjustment of water-, air- and seat surface temperature as well as nozzle position and jet strength, night light, Intelligent energy-saving mode, remote control included, app operation, self-cleaning wand, descaling function, automatic drainage in periods of prolonged disuse, 14 7/8" x 22 5/8" Inch	14 7/8" x 22 5/8" Inch		612000

**ME by Starck One-Piece toilet Duravit Rimless® for SensoWash®**  
 f 6 # 21890120U2

|< 14 1/8" Inch >|

<p>SensoWash® Starck f Lite shower-toilet seat Rear-, Lady- and Comfortwash, heated seat, Intelligent energy-saving mode, warm air dryer, individual adjustment of water-, air- and seat surface temperature as well as nozzle position and jet strength, automatic drainage in periods of prolonged disuse, descaling function, night light, remote control included, app operation, self-cleaning wand, seat/lid material thermoplastic, 14 7/8" x 22 5/8" Inch</p>	<p>14 7/8" x 22 5/8" Inch</p>	<p>612001</p>
---	-------------------------------	---------------

*All drawings contain the necessary measurements which are subject to standard tolerances. They are stated in inch & mm and are non-binding. Exact measurements, in particular for customized installation scenarios, can only be taken from the finished ceramic piece.*