

# Villi 65 x 32 Acrylic Freestanding Bathtub

**Model number:**

106388-000-001-000

**Dimensions:** 65" x 32" x 25.75"

**Installation:** FreeStanding

**Material:** Acrylic



## Standard Features:

- Compatible with MAAX F2 Drain to save time and money on installation
- Comes with MAAX innovative leveling legs for ease of installation
- Seamless 1-piece bathtub for reliable water containment
- Linear overflow in chrome and unique hidden drain included and pre-installed to save time on installation
- 25-year limited warranty for your peace of mind
- Acrylic surface resistant to stains

## Product characteristics:

- Trend-Setter
- 1-Piece Tub
- Comfortable Backrest

## Standard Colors:



White

## Certifications

MAAX products adhere to one or more of the following certifications:



# MAAX

# Villi 65 x 32 Acrylic Freestanding Bathtub

**Model number:**

106388-000-001-000

**Dimensions:** 65" x 32" x 25.75"

**Installation:** FreeStanding

**Material:** Acrylic

## Dimensions

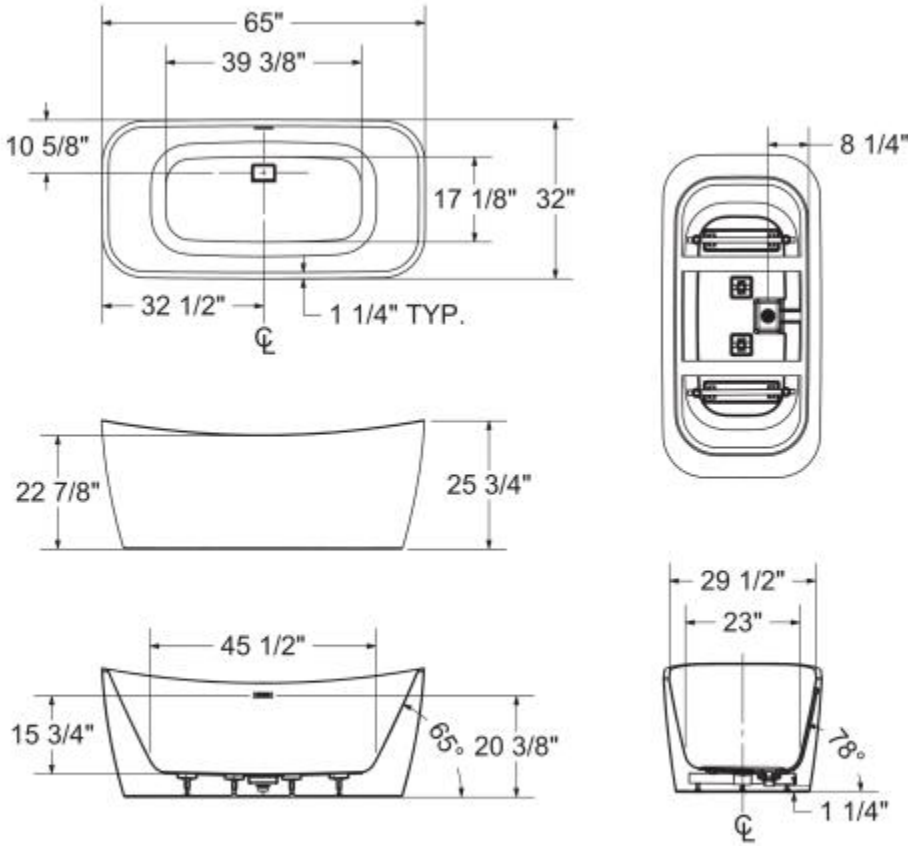
65 x 32 x 25 3/4 In.  
(1651 x 813 x 654 mm)

## Weight

132 lbs - 60 kg

## Drain location:

Center



All dimensions are approximate. Structure measurements must be verified against the unit to ensure proper fit.

Project:

Contractor:

Representative:

Date:

Tel:

Notes:

# MAAX