

# Exhibit 6032 IFS Acrylic Alcove Bathtub

**Model number:**

105520-000-001-103

**Dimensions:** 59.75" x 32" x 17.75"

**Installation:** Alcove

**Material:** Acrylic

## Standard Features:

- Drop-in bathtub
- Acrylic surface resistant to stains
- Available in left-hand and right-hand drain configurations to fit your specific bathroom layout
- Integrated tiling flange for added leak protection and easy installation of shower walls

- Proudly made in North America

## Product characteristics:

- Elegant Design
- Integrated Tiling Flange and Skirt
- Integrated Tiling Flange and Skirt

## Systems:

- Whirlpool
- Combined Whirlpool/Aeroeffect
- Aeroeffect



## Standard Colors:



White

## Certifications

MAAX products adhere to one or more of the following certifications:



# MAAX

# Exhibit 6032 IFS Acrylic Alcove Bathtub

**Model number:**

105520-000-001-103

**Dimensions:** 59.75" x 32" x 17.75"

**Installation:** Alcove

**Material:** Acrylic

## Dimensions

59 3/4 x 32 x 17 3/4 In.  
(1518 x 813 x 451 mm)

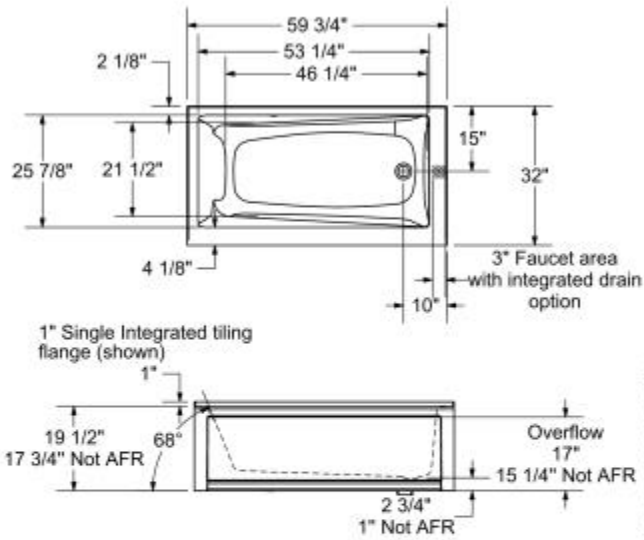
## Weight

78 lbs - 35 kg

## Drain location:

Left

Right

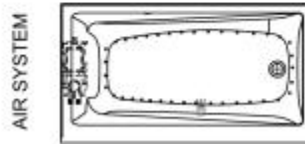
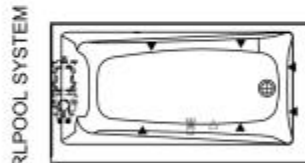
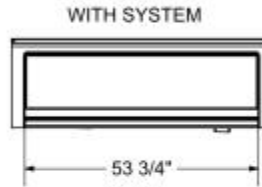
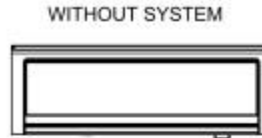


### INTEGRATED LINEAR OVERFLOW & DRAIN OPTION



Wood support design may vary.  
Single Integrated tiling flange: 1" height x 1/4" thickness (shown)

All dimensions are approximate.  
Structure measurement must be verified against the unit to ensure proper fit.



- (▲) : Indicates whirlpool jets positioning
- (△) : Indicates suction positioning
- (●) : Indicates airjets positioning
- (☒) : Indicates chromotherapy light positioning

Project: \_\_\_\_\_

Contractor: \_\_\_\_\_

Representative: \_\_\_\_\_

Date: \_\_\_\_\_

Tel: \_\_\_\_\_

Notes: \_\_\_\_\_

\_\_\_\_\_

\_\_\_\_\_

# MAAX