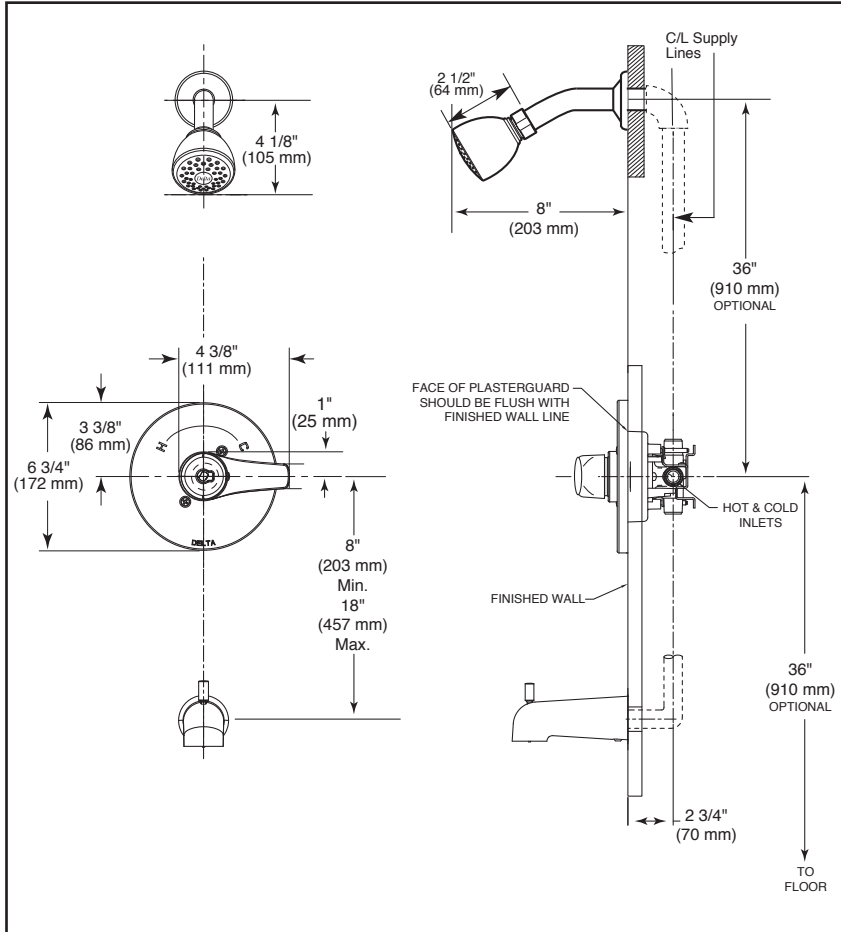


Submitted Model No.: \_\_\_\_\_  
 Specific Features: \_\_\_\_\_



# TUB AND SHOWER FAUCET TRIM

- Wynne™ Collection
- Valve Only Trim (T14034 Series)
- Shower Only Trim (T14234 Series)
- Tub/Shower Trim (T14434 Series)
- Single Handle

## STANDARD SPECIFICATIONS

- Monitor 14 Series pressure balanced bath mixing valve with Scald-Guard®.
- Back-to-back installation capability.
- Field adjustable to limit handle rotation into hot water zone.
- 120° maximum handle rotation.
- For use with MultiChoice® Universal rough valve body. (R10000 Series)
- All parts replaceable from the front of the valve.
- Temperature only controlled with handle.
- Maintains a balanced pressure of hot and cold water even when a valve is turned on or off elsewhere in the system.
- 1/2" C.W.T slip-on spout.
- Maximum flow rate of showerhead: 1.75 gpm @ 80 psi (6.6 L/min @ 552 kPa).

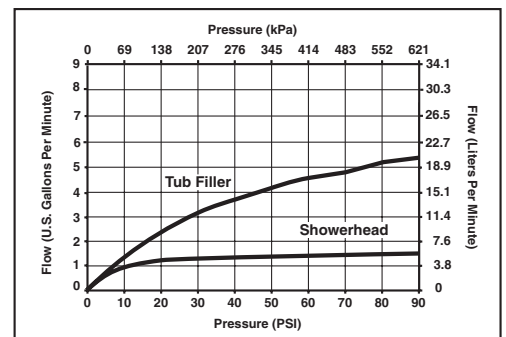
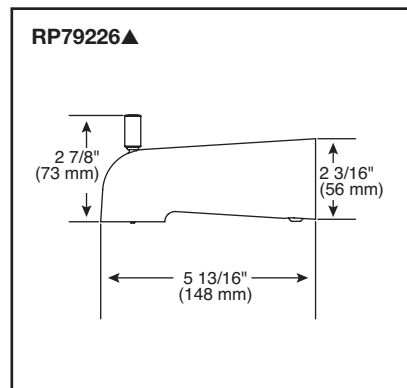
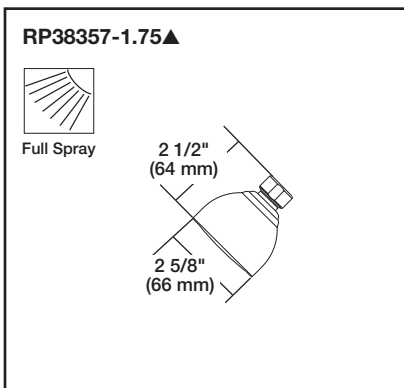
## WARRANTY

- Lifetime Faucet and Finish Limited Warranty to the Original consumer purchaser to be free from defects in material and workmanship
- 5 year limited warranty for usage in all industrial, Commercial and business applications.



## COMPLIES WITH:

- ASME A112.18.1 / CSA B125.1
- ASSE 1016-P
- CSA Certified
- EPA WaterSense® (T14234 and T14434 models only)
- Indicates compliance to ICC/ANSI A117.1 – (T14034 and T14234 models only)



▲ Designate proper finish suffix

Delta reserves the right (1) to make changes in specifications and materials, and (2) to change or discontinue models, both without notice or obligation. Dimensions are for reference only. See current full-line price book or www.specselect.com for finish options and product availability.

DSP-B-T14034 Rev. A



55 E. 111th Street, Indianapolis, Indiana 46280  
 395 Matheson Blvd. E., Mississauga, ON L4Z 2H2  
 © 2014 Masco Corporation of Indiana