

Features

- MasterShower[®] thermostatic valve features an innovative shuttle design that delivers precise, consistent temperature control and a generous flow rate
- Thermostatic valve allows bather to set and maintain precise temperature
- Factory-calibrated comfort setting at 104°F
- High-temperature safety stop ensures water temperature stays below 120°F
- 17.2 gpm (gallons per minute) flow rate through bottom port and 14.9 gpm flow rate through top port
- 3/4" inlet
- Requires stacked valve trim (sold separately)

Material

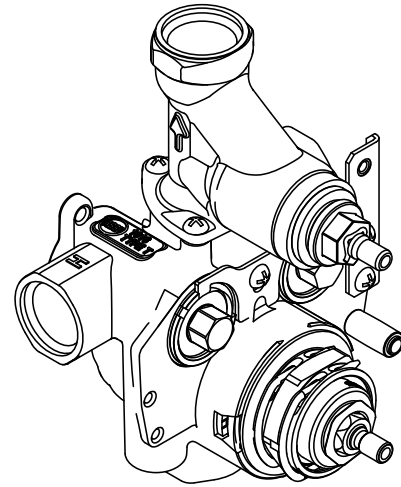
- Brass

Installation

- Patented K-joint installation technology ensures consistent trim appearance, regardless of variability in valve rough-in (included with trim)

Optional Products/Accessories

- K-2977-K 3/4" Volume Control Valve
- K-9663

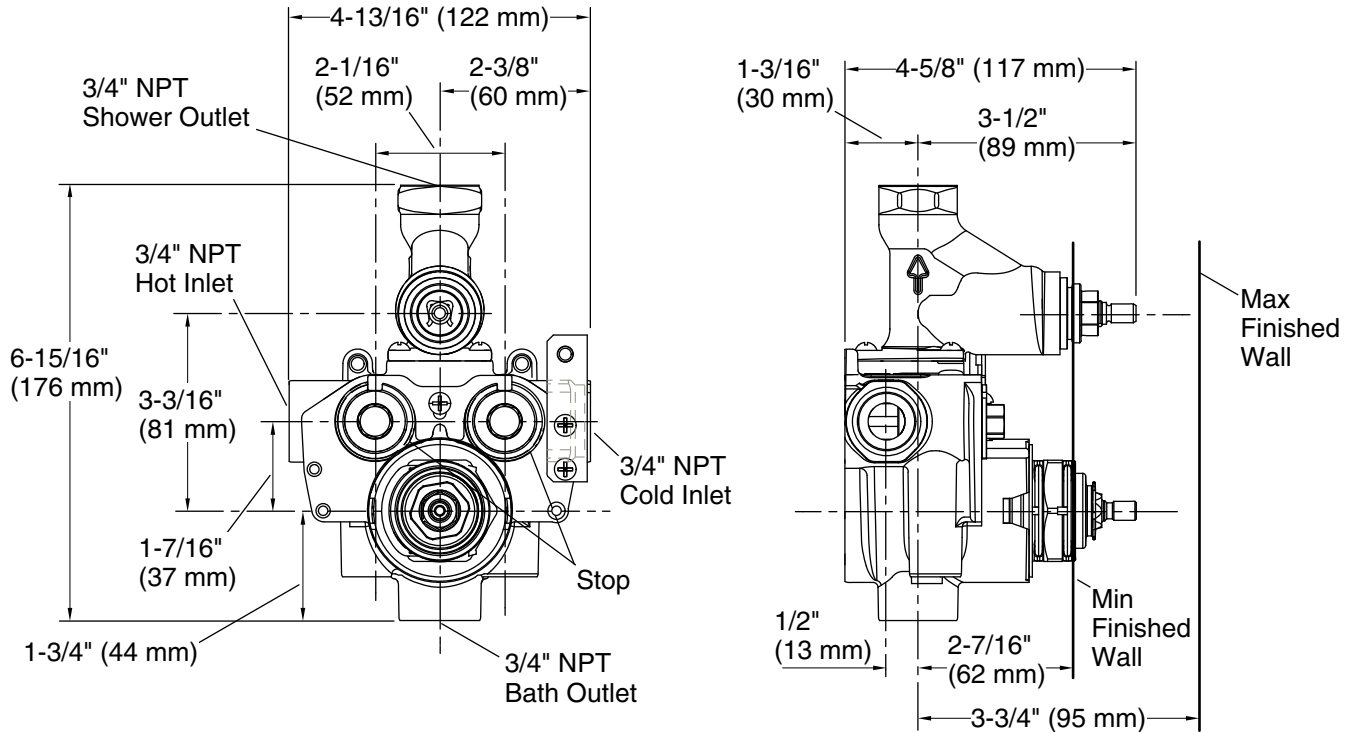


Codes/Standards

- ASME A112.18.1/CSA B125.1
- ASSE 1016/ASME A112.1016/CSA B125.16

KOHLER[®] Faucet Lifetime Limited Warranty

See website for detailed warranty information.



Technical Information

All product dimensions are nominal.

Spout:

Shower Valve:

Flow Rate (Max) @ 45 psi	17.2 gal/min (65.1 l/min)
Pressure:	45 psi (3.1 bar)
Maximum (Static) Pressure:	125 psi (8.6 bar)

Notes

Install this product according to the installation guide.

For use with showerheads or handsprays rated at 0 gal/min (0 l/min) or higher.

The K-2976-KS thermostatic mixer valve includes one volume control for shower-only installations. For bath and shower installations, an additional K-2974-K or K-2977-K volume control valve is required for the bath outlet.

An NPT plug must be installed in any unused outlet.

The lower port of the thermostatic mixer is intended for use with a bath spout only. If a bath spout is not used with this product, the lower port must be plugged.

For installations with a diverter spout, a K-9663 twin ell is required between the valve and the spout. A plug must be installed in the lower port of the valve and the supply to the K-9663 twin ell should run from the top port.