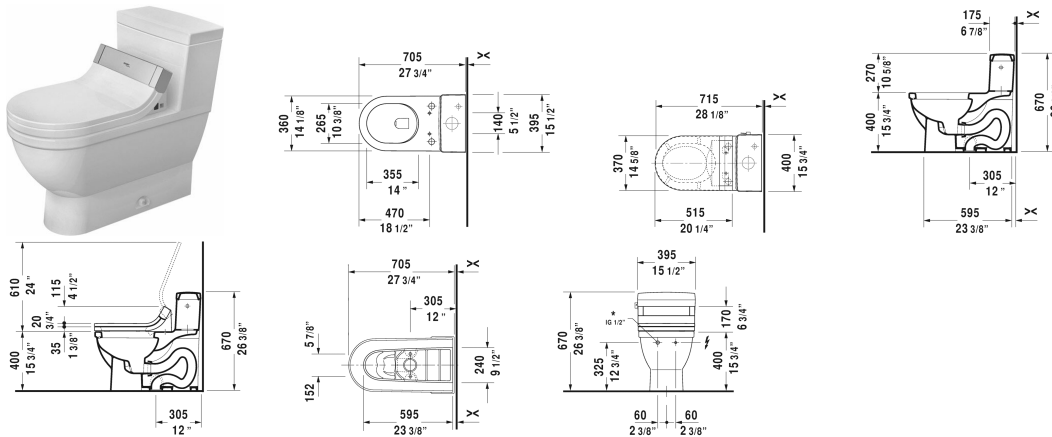


Starck 3 One-Piece toilet for SensoWash® # 212051..01

< 14 5/8" Inch >



One-Piece toilet for SensoWash®	Dimension	Weight	Order number
<p>only in combination with SensoWash, syphonic, 12" rough-in, with single flush mechanism, with side lever, 3" flapper valve, connecting elements for SensoWash with concealed connections included, vertical outlet, cUPC® listed*, 1.28 gpf</p>			
<p>Colors 00 White 20 HygieneGlaze (an antibacterial ceramic glaze that provides almost indefinite effectiveness)</p>			
<p>Variant ♦</p>	14 5/8" x 28 1/8" Inch	114.9 lb	212051..01
<p>Infobox * Complies with following standards: ASME A112.19.2/CSA B45.1 Sanitary ceramics with the special WonderGliss surface finish will remain clean and attractive-looking for a long time to come. When ordering WonderGliss please add a "1" as eleventh digit to the model number.</p>			
<p>Mounting set for One-Piece and Two-Piece toilets, outlet 3/8" - male thread, wall connection 1/2" - female thread, 1/2", North American version</p>	17 3/4" Inch	1.1 lb	001417
<p>Suitable products</p>			

Starck 3 One-Piece toilet for SensoWash® # 212051..01

|< 14 5/8" Inch >|

SensoWash® Starck C shower-toilet seat for ME by Starck, Starck 2, Starck 3 and Darling New* rear-, front and oscillating wash, individual adjustment of water-, air- and seat surface temperature as well as nozzle position and jet strength, power actuated lid and seat, night light, 2 individually programmable user profiles, remote control included, self-cleaning wand, on / off-button, with concealed connections, Quick release: easy seat unit removal and attachment, 14 5/8" x 20 1/4" Inch

610001

All drawings contain the necessary measurements which are subject to standard tolerances. They are stated in inch & mm and are non-binding. Exact measurements, in particular for customized installation scenarios, can only be taken from the finished ceramic piece.