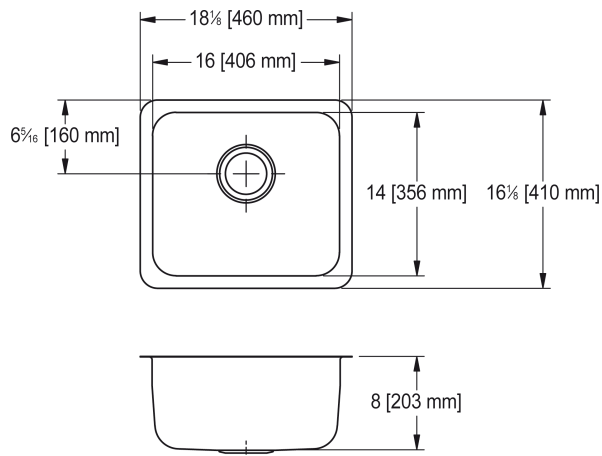


UCS4608-316P-1 T316 undermount, single | 207.0683.174



Technical Data

Product Dimensions

Overall front to back	16.142
Overall left to right	18.11
Bowl dimension front to back	14.016
Bowl dimension left to right	15.984
Bowl depth	7.992

Installation

Installation type	Undermount
-------------------	------------

Product specifications

Gauge	18
Waste size	3 1/2" (89mm)
Tailpiece diameter (in)	1 1/2" (38mm)
Certification	cUPC
Type of material	Type 316
Material code	EN1.4401 17/12/2
Surface finish	#4 Satin
Number of bowls	1
Waste location	Center

Product identification

Model	UCS4608-316P-1
Product brand	FRANKE
Product category	Type 316 sinks

Features

Waste assembly	Included
Waste fitting	Crumb cup waste assembly