



Tub spout  
**P890**

# Specifications

## Descriptions

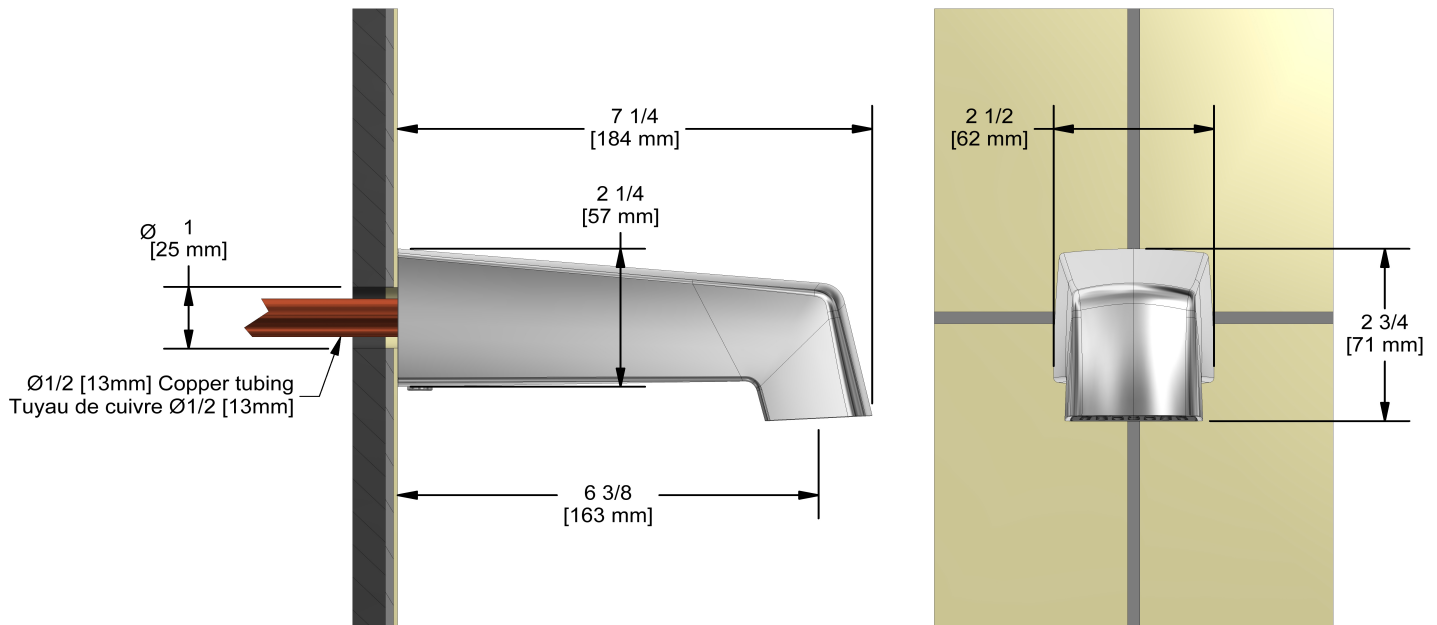
- Flow diffuser
- 1/2" copper slip fit inlet
- Drilling hole diameter = 1 (25mm)

## Certifications

- CSA B125.1
- ASME A112.18.1
- CMR248 Approval



UPC®



Sizes, models and finishes may differ from those presented.

## Warranty

This **Riobel PRO**, product you have purchased carries a Limited LIFETIME warranty on their cartridge. All working parts and finishes are guaranteed for a period of five (5) years from the initial purchase date against all manufacturing defects. All electric and/or electronic parts are covered by a 5-years limited warranty. The warranty offered on our products will be honored only if the installation is performed by a certified master plumber.

## Customer Service

Ontario, West Canada : 888-287-5354 Quebec, Maritimes, United States : 866-473-8442

2020.11.13