

AV6032SK L/R
 AV6034SK L/R
 AV6632SK L/R
 AV6634SK L/R
 AV6636SK L/R
 AV7232SK L/R
 AV7236SK L/R

VENCO

MODEL	A	B	C	D	E	F	G
AV6032SK L/R	59¾ 1518 mm	32 813	9 230	14¾ 375	2 50	20½ 520	17½ 445
AV6034SK L/R	59¾ 1518 mm	34 865	9 230	16 407	2 50	20½ 520	17½ 445
AV6632SK L/R	65½ 1664 mm	32 813	9 230	15 381	2 50	20½ 520	17½ 445
AV6634SK L/R	65¾ 1671 mm	34 865	9 230	15½ 394	2 50	20½ 520	17½ 445
AV6636SK L/R	65¾ 1671 mm	36 915	9¾ 248	17¼ 438	2 50	20½ 520	17½ 445
AV7232SK L/R	71¾ 1823 mm	32 813	9 230	14¾ 375	2 50	20½ 520	17½ 445
AV7236SK L/R	71¾ 1823 mm	36 915	9 230	17½ 445	2 50	20½ 520	17½ 445

Specifications

Venco acrylic bathware is manufactured from .125 gauge solid acrylic sheet, reinforced with heavy-duty fiberglass to provide a sanitary, unbroken, smooth surface. Reinforcing and contouring gives added strength. Venco bathware is warranted against factory defects for five years.

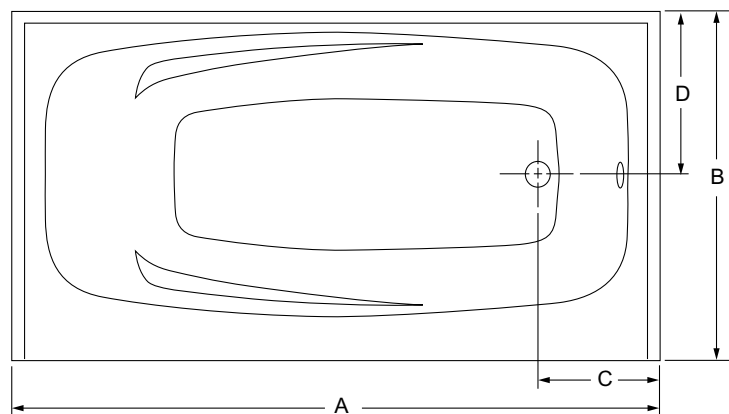
All product measurements are to the outside of flange. Measurements plus (+) or minus (-) 1/4".

All Venco Products are Canadian Standards Association certified.

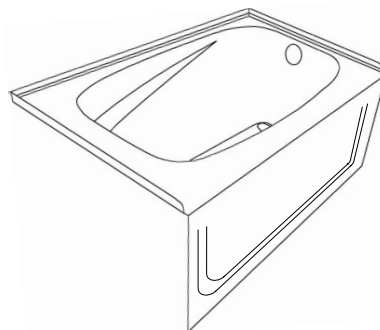
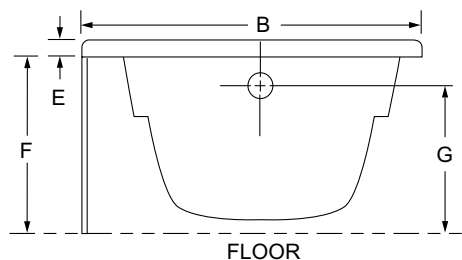
VENCO

7584 Vantage Place, Delta, BC V4G 1A5
 Phone (604) 940-4960 • Fax (604) 940-9733
 email: venco@telus.net
 www.venco.ca

TOP VIEW R.H. MODEL



END VIEW



Water Capacity (Imperial Gallons)

MODEL	Minimum	Maximum
AV6032SK L/R	25	40
AV6034SK L/R	28	45
AV6632SK L/R	30	48
AV6634SK L/R	30	48
AV6636SK L/R	33	52
AV7232SK L/R	35	55
AV7236SK L/R	38	60