

PuraVida Soap Dispenser

Finishes : **chrome** Part no. : **41503000**



Description

Features

- 4 oz capacity
- Wall-mounted

Item details

List Price \$ 186.00

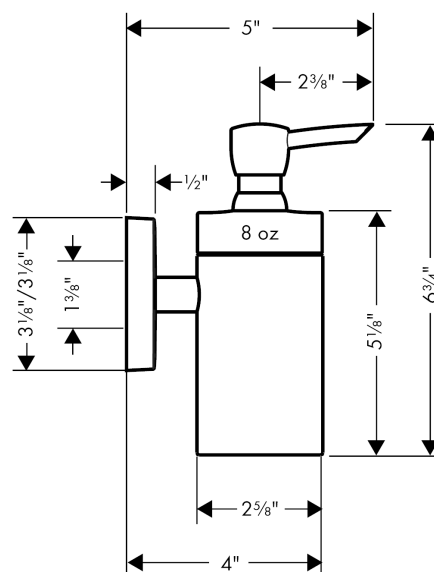
Compliance



Product image



Scale drawing



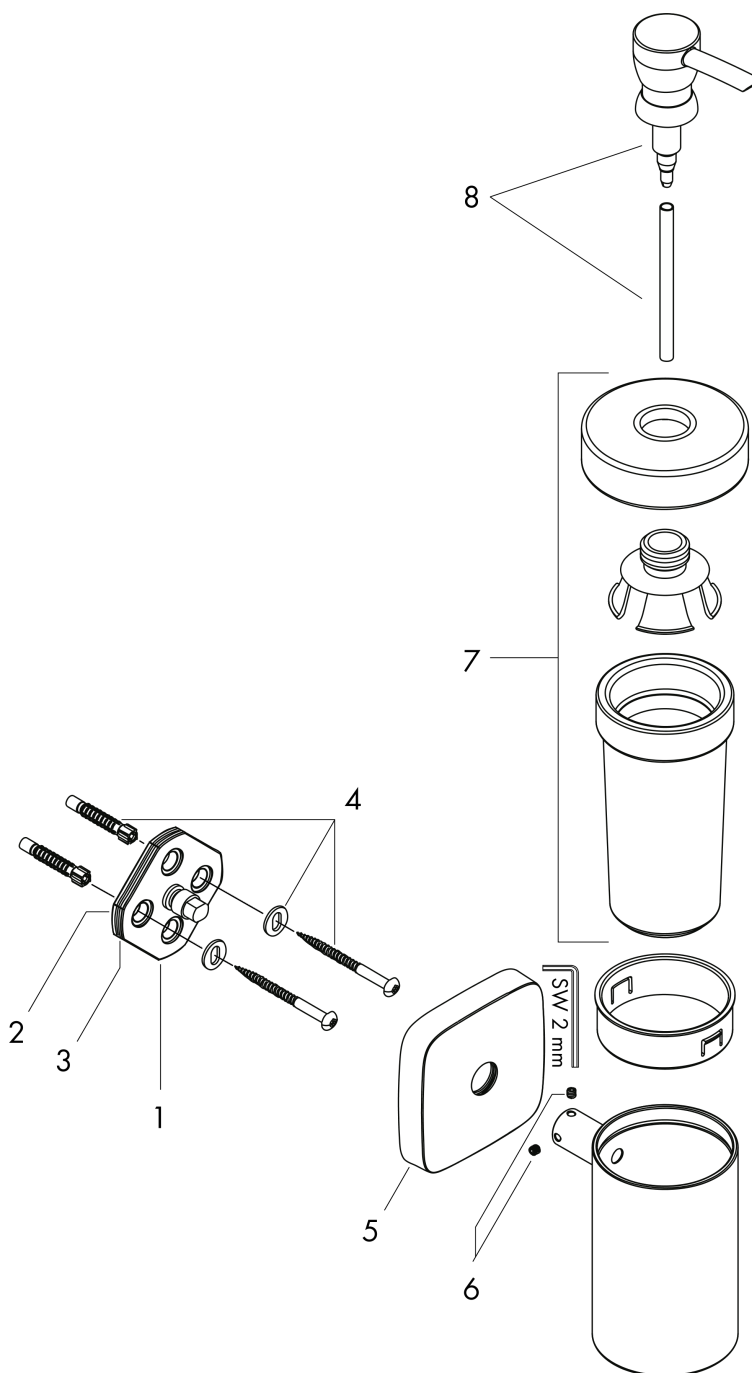
PuraVida
Soap Dispenser
Finishes : **chrome**

Part no. : **41503000**



Exploded drawing

Year of production: >07/09



**PuraVida
Soap Dispenser**

Finishes : **chrome** Part no. : **41503000**



Spare parts list

Year of production: >07/09

Pos.	Description	Part no.	Price	PU
1	support element	98539000	-	1
2	O-ring 45x2,5	98432000	-	1
3	O-Ring 50x2,5	95512000	-	1
4	mounting set	96179000	-	1
5	escutcheon	95374000	-	1
6	hollow set screw M4x4	98540000	-	1
7	glass for lotion dispenser	98543000	-	1
8	pump	96306000	-	1