



Food Waste Disposer Instruction Manual

IMPORTANT: Read all instructions thoroughly. Keep this guide for future reference.

See separate enclosure for product Warranty and Homeowner's Guide

Record important disposer information here prior to installation (no registration card is required)

Bill of sale, sales slip, cancelled cheque or other purchase record should be kept to verify the original purchase date for warranty purposes.

Model Number *

Serial Number *

The Warranty is determined by the model number and serial number on the bottom of the disposal.

*Above information appears on the label affixed to bottom of the disposer.
For your convenience, write down the model and serial numbers prior to installation.

**Call our Joneca Corporation toll free Help Line with any questions.
1-888-856-6322**

IMPORTANT SAFETY INSTRUCTIONS

- NOTE:** This Food Waste Disposer has been designed to operate with 110-120 volt/60 Hz exclusively. Using any other voltage or Hz adversely affects performance.
- CAUTION:** Be sure to review SAFETY INSTRUCTIONS FIRST PERTAINING TO A RISK OF FIRE, ELECTRICAL SHOCK OR INJURY TO PERSONS before using disposer.

IMPORTANT SAFETY INSTRUCTIONS PERTAINING TO A RISK OF FIRE, ELECTRIC SHOCK OR INJURY TO PERSONS. SAVE THESE INSTRUCTIONS.

WARNING – When using electrical appliances, basic precautions should always be followed, including the following:

- Never place your hand inside the food waste disposer.**
- Read all instructions before using the appliance.
- To reduce the risk of injury, close supervision is necessary when an appliance is used near children.
- Do not put fingers or hands into a waste disposer.
- Turn the power switch to the off position before attempting to clear a jam or remove an object from the disposer.
- When attempting to loosen a jam in a waste disposer, use a long wooden object such as a wooden spoon or the wooden handle of a broom or mop.
- When attempting to remove objects from a waste disposer, use long-handled tongs or pliers. If the disposer is magnetically actuated, non-magnetic tools should be used.
- To reduce the risk of injury by materials that may be expelled by a waste disposer, do not put the following into a disposer: clam or oyster shells; caustic drain cleaners or similar products; glass, china or plastic; large whole bones; metal, such as bottle caps, tin cans, aluminum foil or utensils; hot grease or other hot liquids; whole corn husks.
- When not operating a disposer, leave the stopper in place to reduce the risk of objects falling into the disposer.
- DO NOT operate disposer unless splash guard is in place.
- For proper grounding instructions, see the ELECTRICAL CONNECTION portion of this manual.
- If the supply cord is damaged, it must be replaced by the manufacturer, its service agent, or authorized person in order to avoid hazard.

KINDRED Waste Disposers by Joneca Corporation
Franke Kindred Canada
1000 Franke Kindred Road,
Midland, Ontario, Canada
L4R 4K9

Customer Service Department
Telephone: 1-866-687-7465
Email: info@kindred-sinkware.com
Monday - Thursday - 8:00 am to 5:00 pm
Friday - 8:00 am to 3:30 pm
Eastern Standard Time

KWD-01EZ
022013

快速連接落水口裝置

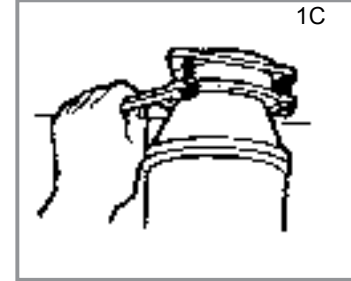
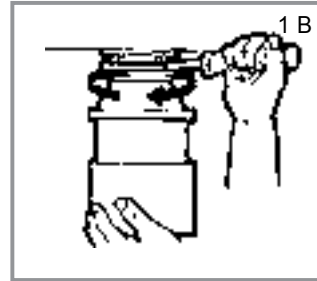
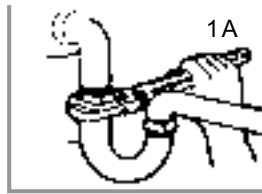
1. REMOVAL OF OLD UNIT

TYPICAL INSTRUCTIONS, YOUR MODEL MAY VARY.

Before starting this step, turn off electrical power at the circuit breaker or fuse box. Unplug disposer.

If your old mount is the same type as the mount on your new disposer, just reverse the assembly instructions found in section 3. If your new mount system is different, follow these instructions:

- A. Use a pipe wrench to disconnect drain line where it attaches to disposer discharge elbow (see 1A).
- B. Remove disposer from sink flange by turning mount ring to the left (clockwise - see 1B). If you are unable to turn the mount ring, tap on one of the extensions from the ring with a hammer. Some mounting systems have tubular extensions. Inserting a screwdriver into one tube will provide additional leverage for turning the mount ring (see 1B). Some disposers may require the removal or loosening of nuts from the mount screws (see 1C). Some disposers may require the removal of a clamp.
- C. To remove remaining mount system from the sink, loosen mount screws, push mount ring up. Under it is the snap ring. Use screwdriver to pop off ring (see 1D). Remove mount ring, protector ring and gasket from sink flange. Some mounts will require the unscrewing of a large ring holding the sink flange in place. Pull sink flange up through sink and clean off old putty from sink. Caution: Be sure to support the disposer while performing this step or it may fall when the mounting ring is disconnected from the mounting assembly.



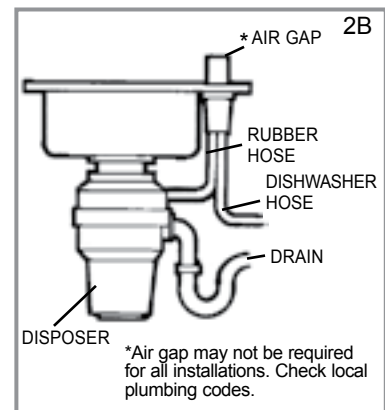
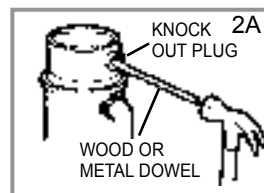
IMPORTANT:

This is a good time to clean out the trap and drain lines, by running a drain auger or plumber's snake before installing your new food waste disposer.

2. DISHWASHER CONNECTION

If you are utilizing a dishwasher, complete the following procedure. If dishwasher is not to be connected go on to section 3.

1. Using a blunt instrument (steel punch or wooden dowel), knock out entire plug (see 2A). Do not use a screwdriver or sharp instrument. (When knockout plug falls into Disposer, you may remove it or grind it up when the disposer is used. This will not damage the disposer in any way, but may take some time to grind).
2. Connect dishwasher hose (see 2B) using a hose clamp. Make sure all plumbing connections are tight and in accordance with all plumbing codes and ordinances. Run water and check for leaks.



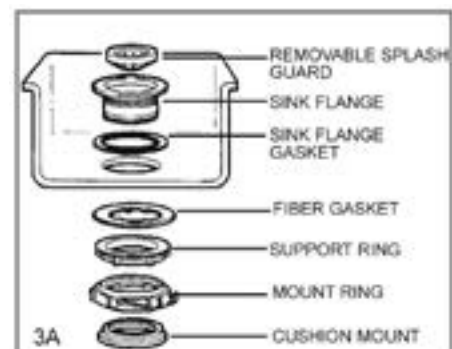
3. INSTALLATION OF MOUNTING ASSEMBLY

READ COMPLETELY BEFORE STARTING

NOTE: Pay close attention to the order of mount assembly parts, as they have been correctly assembled by the factory (see 3A). Also, reference the cushion mount detail in illustration 3F for the proper position of the cushion mount.

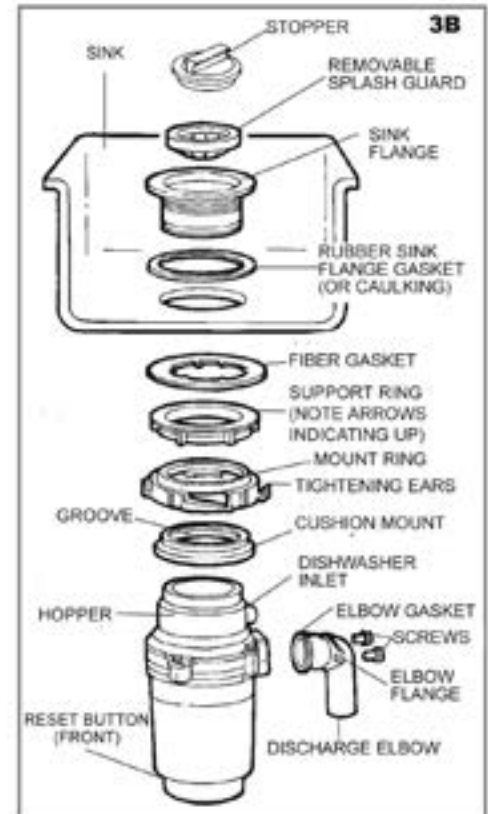
NOTE: Try practicing this assembly before you get under the sink to get the "feel" of how the parts fit together.

- Disassemble mount assembly from disposer by turning mount ring to the left (clockwise) and remove.



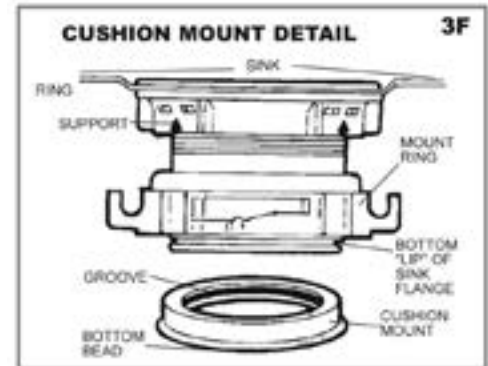
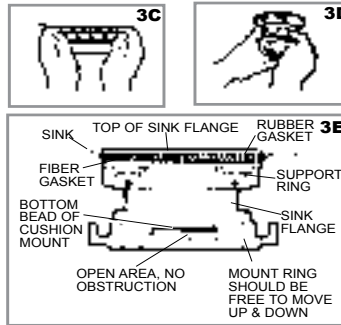
EZ Mount Installation System

1. Raise mount ring toward top of sink flange. Remove cushion mount. Remove mount ring. You may want to practice installing the cushion mount at this point before you are under the sink. See paragraph G. Also see the "Important Notice: Cushion Mount Detail."
2. Unscrew support ring from sink flange and remove fiber gasket. You are now left with sink flange and rubber gasket.
3. The rubber gasket is used instead of plumbers putty with stainless steel sinks. Other sinks will require silicone seal or plumber's putty.
4. If no caulking is used, insert sink flange through rubber gasket into sink opening. Do not rotate sink flange once it is seated.
5. If you use silicone instead of the gasket, form a ring around underside of sink flange (see 3C). Insert flange into sink opening, press down hard to squeeze out excess (see 3B). From under sink, clean up excess flush with bottom edge of the sink opening.
6. From underneath sink, slip fiber gasket onto exposed sink flange. With arrows pointing up, screw support ring onto the sink flange, hand tighten until the sink flange will not move. At this point you may want to insert stopper in sink and fill with water to check sink flange seal and ensure there are no leaks.
7. Place mount ring over sink flange and hold in place while installing cushion mount (large side down) so the groove on the inside of cushion mount fits over lip on sink flange, similar to putting the lid on a plastic container (see 3D, 3E & 3F). Please read important notice below.
8. The disposer must be installed so that the reset button is readily accessible.



IMPORTANT NOTICE: Cushion Mount Detail

When the cushion mount is installed correctly, the lip of the sink flange fits into the groove on the inside of the cushion mount and mount ring can be pulled downward over cushion mount and will be free to rotate. The bottom bead of the cushion mount acts as a gasket between the bottom of the sink flange and the top of the disposer. See illustration 3F.



4. ELECTRICAL CONNECTIONS

- Connect disposer to appropriate household current only.

DANGER: IMPROPER CONNECTION OF THE EQUIPMENT GROUNDING CONDUCTOR CAN RESULT IN A RISK OF ELECTRIC SHOCK. CHECK WITH A QUALIFIED ELECTRICIAN OR SERVICEMAN IF YOU ARE IN DOUBT AS TO WHETHER THE APPLIANCE IS PROPERLY GROUNDED. DO NOT MODIFY THE PLUG PROVIDED WITH THE APPLIANCE IF IT WILL NOT FIT THE OUTLET. HAVE A PROPER OUTLET INSTALLED BY A QUALIFIED ELECTRICIAN.

Grounding Instructions

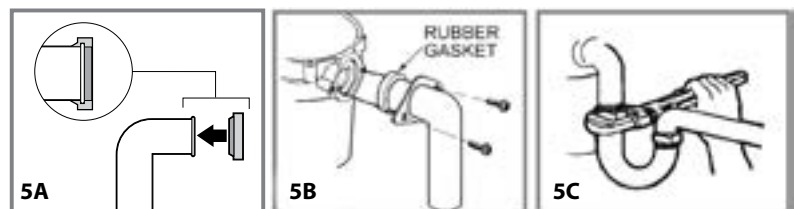
FOR WASTE DISPOSERS EQUIPPED WITH A GROUNDED PLUG-IN POWER CORD.

- This appliance must be grounded. In the event of a malfunction or breakdown, grounding provides a path of least resistance for electric current to reduce the risk of electric shock. This appliance is equipped with a cord having an equipment-

grounding conductor and a grounding plug. The plug must be plugged into an appropriate outlet that is properly installed and grounded in accordance with all local codes and ordinances. If the supply cord is damaged it must be replaced by the manufacturer, its service agent or similarly qualified person in order to avoid a hazard.

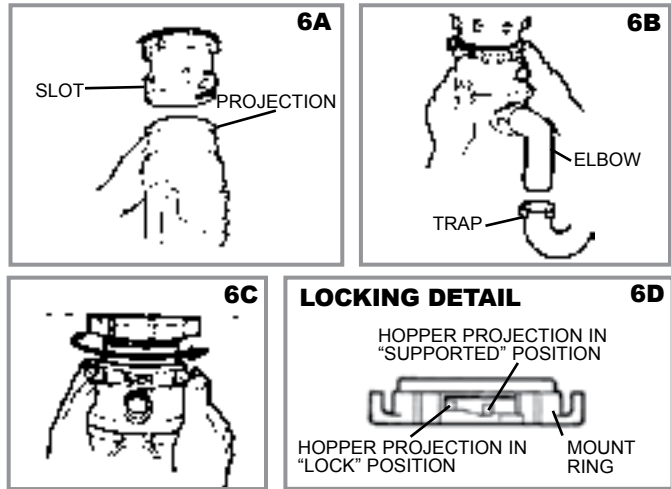
5. ATTACHING DISCHARGE ELBOW

- Assemble rubber gasket to waste elbow (see 5A).
- Connect waste elbow to the disposer (see 5B), proceed to step 6 and then connect bottom of the elbow by tightening the slip nut (see 5C).
- If you are connecting to a dishwasher, return to section 2B. If not, make sure all plumbing connections are tight and in accordance with all plumbing codes and ordinances. Run water and check for leaks.



6. CONNECTING DISPOSER TO MOUNT ASSEMBLY

1. Line up disposer under mounting assembly. Guide hopper projections into mount ring slots. Turn mount ring about 1/4" to right so that disposer is temporarily supported (see 6A).
2. Turn mount ring and disposer until disposer elbow lines up with trap (see 6B).
3. Turn mount ring to the right (counter-clockwise) until it locks up tight. Tap the mount ring ears with a hammer until the lock position is achieved. Hopper projections must be to extreme left of mounting slots (see 6C & 6D).
4. If mount ring is hard to turn, you may add a small amount of petroleum jelly or liquid soap to hopper projections. Run water and check for leaks.



7A. CONTINUOUS FEED OPERATING INSTRUCTIONS

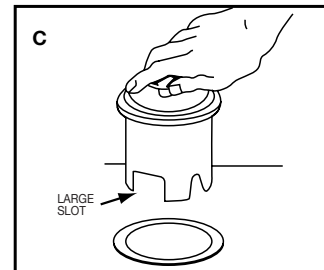
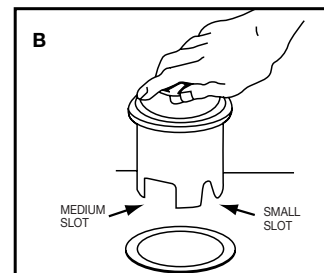
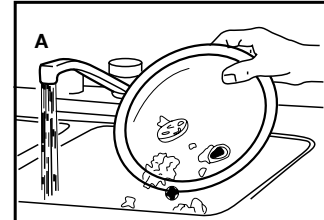
The Anti-Jam Swivel Impellers make a clicking sound as they swing into place. This indicates normal operation.

- A. Remove sink stopper. Turn on a medium flow of cold water.
- B. Turn switch to ON position; your motor is turning at full speed and ready to use.
- C. Scrape in food waste. Down the drain go table scraps, peelings, rinds, seeds, pits, small bones and coffee grounds. To speed up food waste disposal, cut or break up large bones, rinds and cobs. Large bones and fibrous husks require considerable grinding time and are more easily thrown away with other trash. Do not be alarmed that the disposer slows down while grinding. The disposer is actually increasing torque (grinding power) and is operating under normal conditions.
- D. Before turning disposer off, let water and disposer run for approximately 15 seconds after shredding stops. This ensures that all waste is thoroughly flushed through trap and drain.
- E. It is not recommended to use hot water while running disposer. Cold water will keep waste and fats solid so disposer can flush away particles.

7B. BATCH FEED OPERATING INSTRUCTIONS

The Anti-Jam Swivel Impellers make a clicking sound as they swing into place. This indicates normal operation.

- A. Remove sink stopper and turn on a medium flow of cold water.
- B. Scrape in food waste. Down the drain go table scraps, vegetable peelings, cobs, rinds, pits, bones and coffee grounds. (see A)
- C. Insert stopper to start disposer. (see B) One of the two small slots in stopper base must line up with switch plunger inside the neck of the disposer. Push down firmly to turn the disposer on. Lift stopper to shut the disposer off.
- D. Run disposer for 15 seconds after shredding stops. This ensures that all waste is thoroughly flushed through the drain.
- E. To fill sink, insert stopper and align the largest slot with the switch plunger. (see C) Push down to seal sink without starting the disposer. When medium sized slot (see B) in stopper base is lined up with the switch plunger, water can drain, but tableware, etc., cannot be accidentally dropped into disposer.



TIPS FOR SUCCESSFUL OPERATION

- A. Be sure disposer is empty before using your dishwasher so it may drain properly.
- B. You may want to leave the stopper in the drain when not in use to prevent utensils and foreign objects from falling into the disposer.
- C. Your disposer is ruggedly built to give you many years of trouble free service. It will handle all normal food wastes, but it will NOT grind or dispose of such items as plastic, tin cans, bottle caps, glass, china, leather, cloth, rubber, string, clam and oyster shells, aluminum foil or feathers.