

Talis

Single-Hole Faucet 210 with Swivel Spout and Pop-Up Drain, 1.2 GPM

Finishes : **chrome** Part no. : **32082001**



Description

Features

- Swivel range 150°
- Aerated spray
- maximum Flow rate at 44 PSI: 1.2 GPM
- Ceramic cartridge
- pop-up waste set G 1
- Material waste set: metal

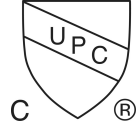
Item details

List Price \$ 385.00

Technology



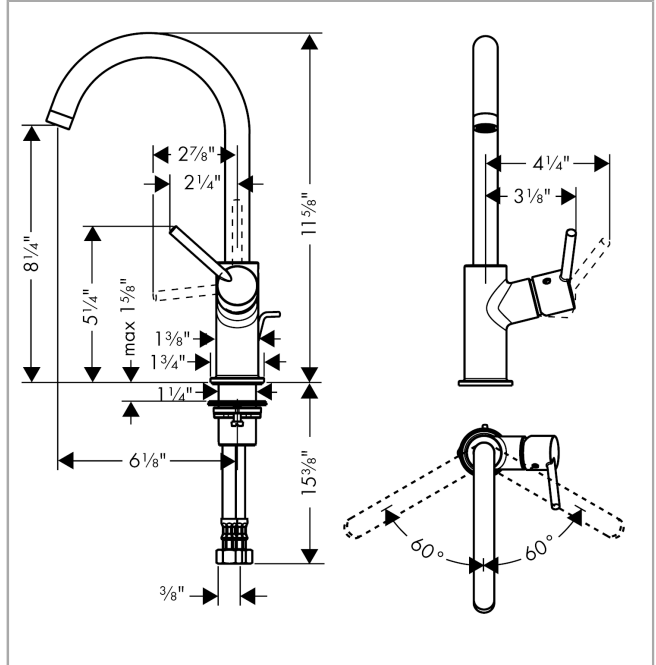
Compliance



Product image



Scale drawing



Talis

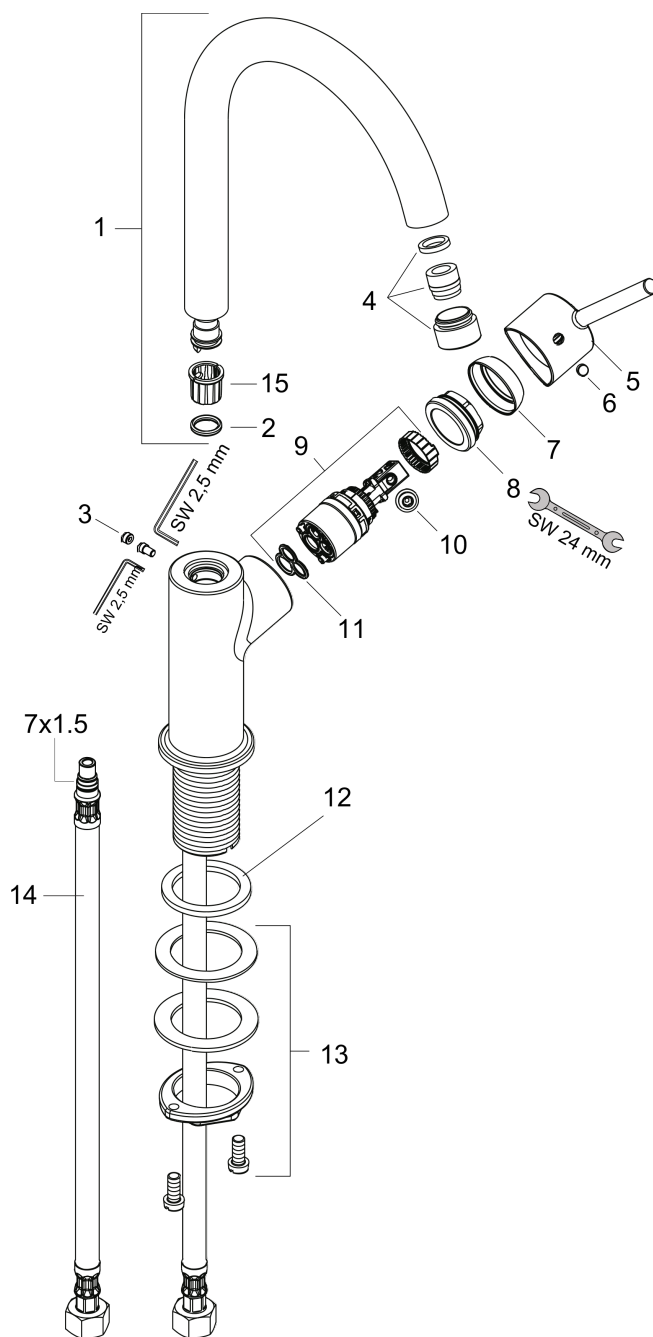
Single-Hole Faucet 210 with Swivel Spout and Pop-Up Drain, 1.2 GPM

Finishes : **chrome** Part no. : **32082001**



Exploded drawing

Year of production: >07/16



Talis
Single-Hole Faucet 210 with Swivel Spout and Pop-Up Drain, 1.2 GPM

 Finishes : **chrome** Part no. : **32082001**

Spare parts list

Year of production: >07/16

Pos.	Description	Part no.	Price	PU
1	spout cpl.	95494000	-	1
2	O-ring 11x2	98127000	-	1
3	screw cover	95181000	-	1
4	aerator M18x1 (4,5 l/min)	92884000	-	1
5	handle	95495000	-	1
6	screw cover	96338000	-	1
7	flange	95493000	-	1
8	nut	95178000	-	1
9	cartridge, assy	95973001	-	1
10	locking screw for handle	95140000	-	1
11	seal	98865000	-	1
12	flat seal	98749000	-	1
13	fixing set (Ø 32)	13961000	-	1
14	connection hose 18½" M8x0,75 3/8"	96321001	-	1
15	lever collar	92849000	-	1
a	pop up waste	88509000	-	1
b	pull rod	96657000	-	1