

H₂OPTION SIPHONIC DUAL FLUSH ROUND FRONT TOILET

2889 216

- Vitreous china
- High efficiency low-consumption Dual Flush
 - Full flush 6.0 Lpf/1.3 gpf,
 - Partial flush 3.8 Lpf/0.84 gpf.
- Round front siphon action bowl with direct-fed jet
- Meets EPA Water SenseSM criteria
- Qualifies in LEEDS Program
- Fully glazed 51mm (2") trapway
- Generous 229 x 208mm (9 x 8") water surface
- Chrome-plated top mounted push button actuator
- Easy to clean sanitary dam on bowl
- 100% factory flush tested
- 2 colour-matched bolt caps
- 2 year warranty

Separate Component Parts:

3708 216 Round Front Bowl

4339 216 Unlined Tank

2889 516 Same as above with Lined tank

3708 216 Round Front Bowl

4339 516 Lined Tank

Nominal Dimensions:

705 x 380 x 749mm
(27-3/4" x 15" x 29-1/2")

Fixture only, seat and supply by others

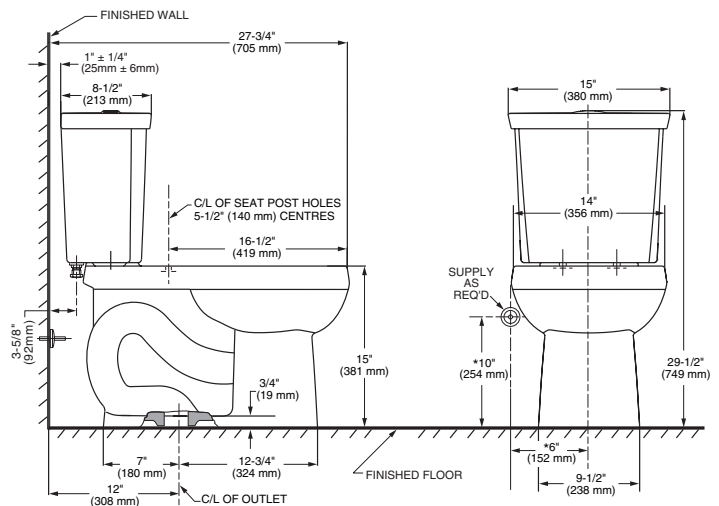
Compliance Certifications -

Meets or Exceeds the Following Specifications:

- ASME A112.19.2-2008/CSA B45.1-08
Trap Seal Depth and all Dimensions
- US EPA WaterSenseSM criteria for HET program

To Be Specified

- Colour: White Bone Linen
- Seat: #5322 011 "Rise and Shine" (with easy to clean lift-off hinge system) solid plastic closed, round front seat with cover
- Seat: #5282 011 Round front EverClean® solid plastic seat and cover
- Seat: #5320 110 EverClean® Round front Seat with Slow Close Snap-Off Hinges
- Supply with stop:



NOTES:

THIS TOILET IS DESIGNED TO ROUGH-IN AT A MINIMUM DIMENSION OF 305MM (12") FROM FINISHED WALL TO C/L OF OUTLET.
SUPPLY NOT INCLUDED WITH FIXTURE AND MUST BE ORDERED SEPARATELY.
* DIMENSION SHOWN FOR LOCATION OF SUPPLY IS SUGGESTED.
FOR ADDITIONAL INFORMATION REFER TO INSTALLATION INSTRUCTIONS SUPPLIED.
IMPORTANT: Dimensions of fixtures are nominal and may vary within the range of tolerance established by ANSI Standard A112.19.2
These measurements are subject to change or cancellation. No responsibility is assumed for use of superseded or voided pages.

