

B3Square 6032

Model number: 420005

Dimensions: 60" x 32" x 4"

Installation:

Material: Acrylic



Standard Features:

- Acrylic rectangular shower base with square or round drain
- 3 in. threshold and smooth floor
- Right, left or back-end drain
- B3Square only: Chrome grid and drain included (ABS or PVC available)
- Grids also available in Dark Bronze or Brushed Nickel

Product characteristics:

- Utile Compatible
- Low Threshold
- Smooth Floor

Warranty:

25 Years

Standard colors:



Certifications

MAAX products adhere to one or more of the following certifications:



Recommended products (Visit our website for a complete list of our recommended products)

No	Description
136457	Kleara 2-panel Pivot Shower Door 54 ½-57 ½ x 69 in. 6 mm
136458	Kleara 2-panel Pivot Shower Door 57 ½-60 ½ x 69 in. 6 mm
138311	Triple Plus Sliding Shower Door 57½ -59 ½ x 71 in.

Options (Visit our website for a complete list of our options)

No	Description
<input type="checkbox"/> OPT 20208	PVC drain
<input type="checkbox"/> OPT 20253	ABS drain
<input type="checkbox"/> OPT 20254	PVC drain

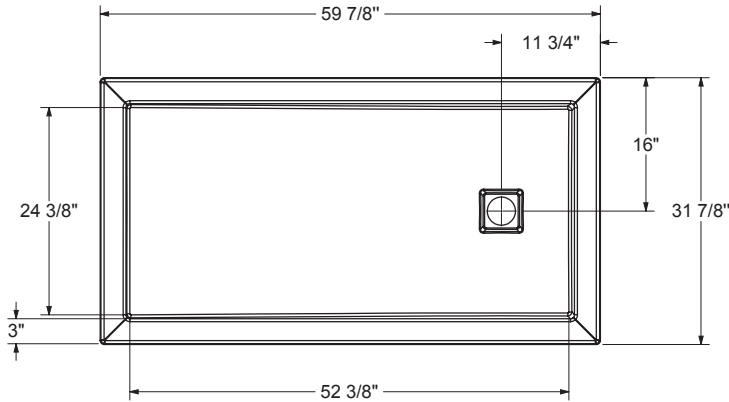
B3Square 6032

Model number: 420005

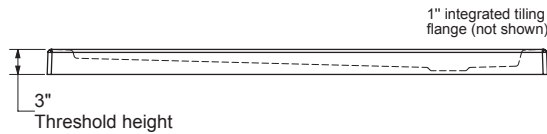
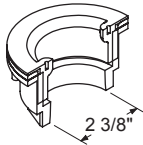
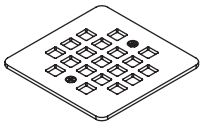
Dimensions: 60" x 32" x 4"

Installation:

Material: Acrylic



DRAIN INCLUDED ON B3 SQUARE ONLY



This technical drawing is universal for every 6032 configuration.

Integrated tiling flange : 1" height x 1/4" thick (not shown)
Tiling flange position is determined by chosen configuration.

All dimensions are approximate. Structure measurements must be verified against the unit to ensure proper fit.

Dimensions:
59 7/8 x 31 7/8 x 4 in. (1521 x 810 x 102 mm)
Weight:
55 lbs (25 kg)
Shape:
Rectangular
Drain location:
Left
Right
Center
Back End
Installation:
Alcove Deep
Tunnel
Alcove

Project: _____

Contractor: _____

MAAX Representative: _____

Date: _____

Tel: _____

Notes: _____
