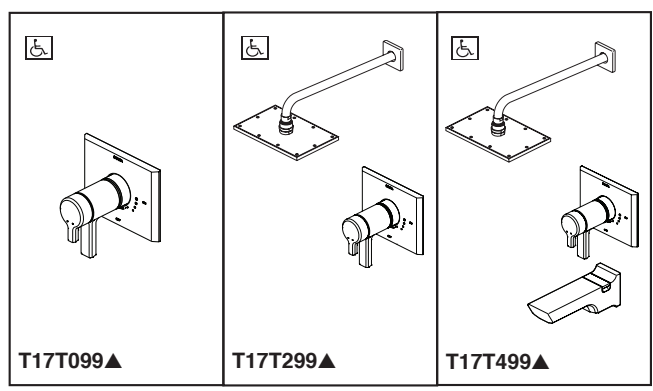




see what Delta can doSM

TUB AND SHOWER FAUCET TRIM

- Pivotal™ Bath Collection
- TempAssure® Thermostatic
- Valve Only (T17T099)
- Shower Only (T17T299)
- Tub/Shower (T17T499)



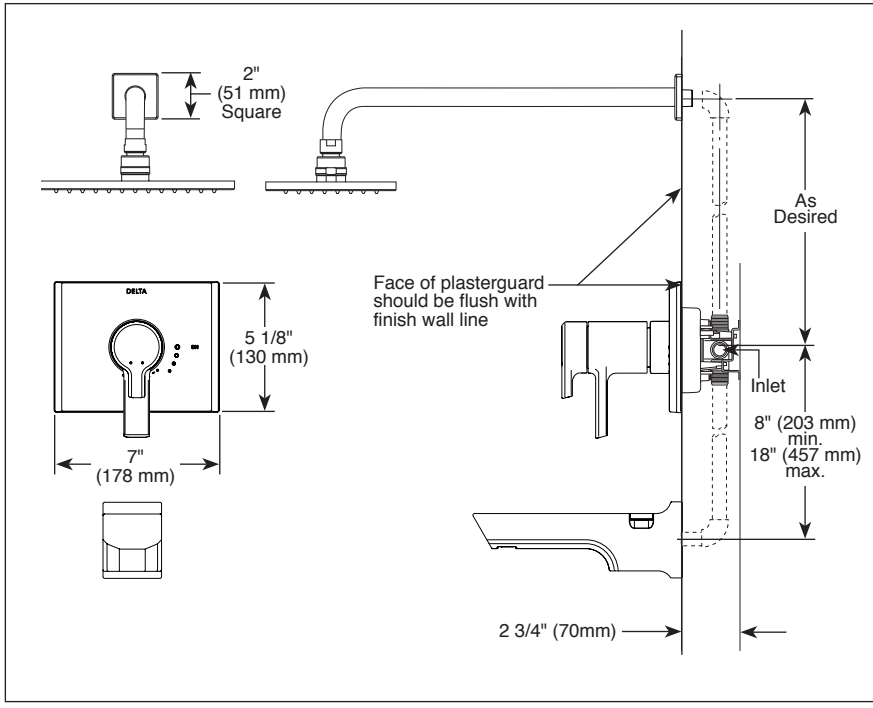
Submitted Model No.: _____
 Specific Features: _____

FEATURES:

- TempAssure® 17T thermostatic valve cartridge

STANDARD SPECIFICATIONS:

- Thermostatic wax element maintains the outlet temperature to ±3.6°F
- Maximum 2.5 gpm @ 80 psi, 9.5 L/min @ 550 kPa
- Tub port maximum flow rate 8.6 gpm @ 60 psi with R10000-UNBX
- Must also order MultiChoice® Universal rough separately (R10000 series)
- Back-to-back installation capability
- Lever volume control handle; temperature adjustment dial
- Field adjustable to limit rotation into hot water zone
- All parts are replaceable from the front of the valve
- Adjusts for up to 1" wall thickness
- Red/blue pad print temperature indicator on the temperature adjustment dial
- Stem extension kit RP75136 can be ordered to allow for an additional 1 3/4" wall thickness. RP75136 ships with chrome escutcheon screws.
- Shower arm overall horizontal length = 16" (406 mm), including threaded ends



WARRANTY

- Parts and Finish - Lifetime limited warranty; or for commercial purchasers, 10 years for multi-family residential (apartments and condominiums) and 5 years for all other commercial uses, in each case from the date of purchase.
- Electronic Parts and Batteries (if applicable) - 5 years from the date of purchase; or for commercial purchasers, 1 year from the date of purchase. No warranty is provided on batteries.

COMPLIES WITH:

- ASME A112.18.1 / CSA B125.1
- Indicates compliance to ICC/ANSI A117.1 - Valve control only

RP90158▲ (Pull-Up Diverter)

*Tub spout uses 1/2"-14 NPT with 3/8" stub out.

RP90159▲ (Non Diverter)

*Tub spout uses 1/2"-14 NPT with 3/8" stub out.

▲ Designate Proper Finish Suffix

RP62955▲ 2.5 GPM Touch-Clean® Raincan

RP75136 Available Extension Kit