

B3Square 6036

Model number:

420006

Dimensions: 60" x 36" x 4"

Installation:

Material: Acrylic



Standard Features:

- Acrylic rectangular shower base with square drain
- 3 in. threshold and smooth floor
- Right, left, center or back-end drain
- Certain configurations available with Stabili-T anti-slip bottom meeting ADA, ANSI or CSA standards
- Chrome grid and drain included (ABS or PVC available)
- Multiple grid finishes available

Product characteristics:

- Made in North America
- Utile Compatible
- Bestseller

Warranty:

25 Years

Standard colors:



White (001)



Bone (004)



Biscuit (007)

Certifications

MAAX products adhere to one or more of the following certifications:



Recommended products (Visit our website for a complete list of our recommended products)

No	Description
138952	Halo Pro Sliding Shower Door 56 ½-59 x 78 ¾ in. 8 mm
135875	Nebula Sliding Shower Door 56 ½-58 ½ x 78 ¾ in. 8 mm
138470	Vela Sliding Shower Door 56 ½-59 x 78 ¾ in. 8 mm

Options (Visit our website for a complete list of our options)

No	Description
<input type="checkbox"/> OPT 20208	PVC drain
<input type="checkbox"/> OPT 20253	ABS drain
<input type="checkbox"/> OPT 20254	PVC drain

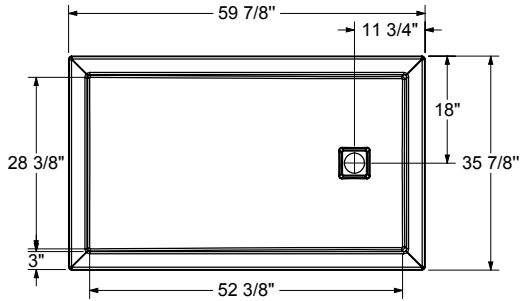
B3Square 6036

Model number: 420006

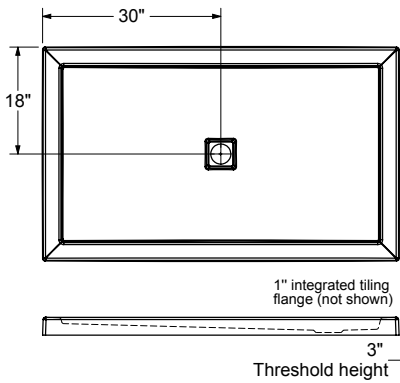
Dimensions: 60" x 36" x 4"

Installation:

Material: Acrylic



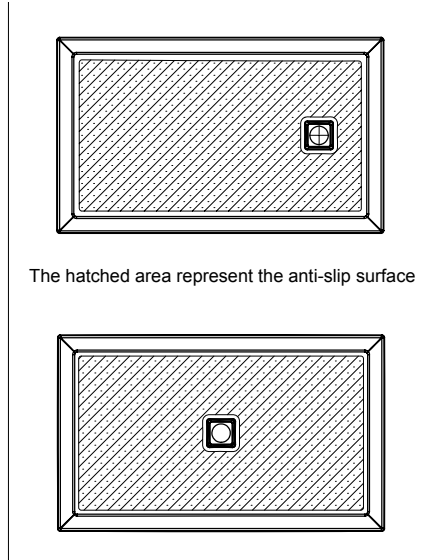
DRAIN INCLUDED
ON B3 SQUARE ONLY



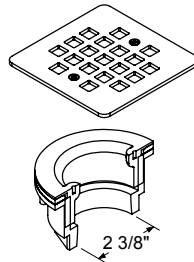
This technical drawing is universal for every 6036 configuration.

Integrated tiling flange : 1" height x 1/4" thick (not shown)
Tiling flange position is determined by chosen configuration.

All dimensions are approximate. Structure measurements must be verified against the unit to ensure proper fit.



The hatched area represent the anti-slip surface



Dimensions:
59 7/8 x 35 7/8 x 4 in. (1521 x 911 x 102 mm)
Weight:
62 lbs (28.12 kg)
Shape:
Rectangular
Drain location:
Center
Back End
Left
Right
Installation:
Alcove
Corner Left
Corner Right
Alcove Deep

Project: _____

Contractor: _____

Representative: _____

Date: _____

Tel: _____

Notes: _____
