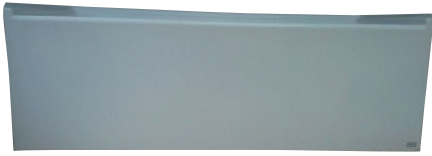


AVLD6032 SK L/R



Specifications

Venco acrylic bathware is manufactured from .125 gauge solid acrylic sheet, reinforced with heavy-duty fibreglass to provide a sanitary, unbroken, smooth surface. Reinforcing and contouring gives added strength. Venco bathware is warranted against factory defects for five years.

All product measurements are to the outside of flange. Measurements plus (+) or minus (-) 1/4".

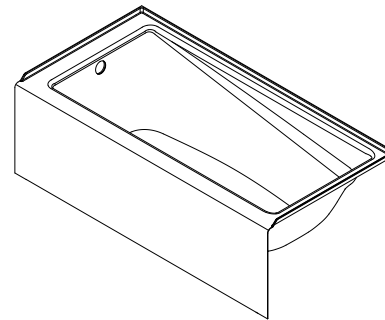
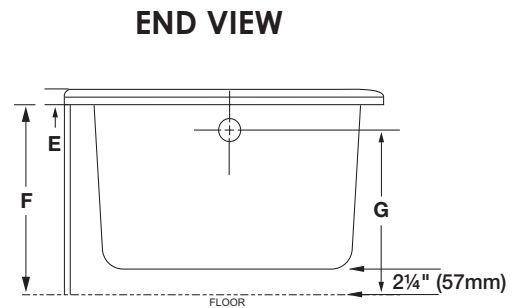
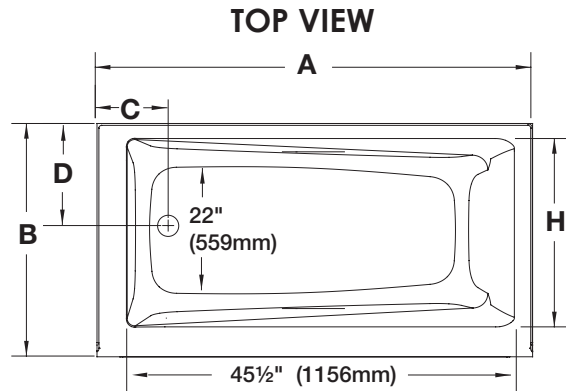
All Venco Products are Canadian Standards Association certified.



7584 Vantage Place, Delta, BC V4G 1A5
 Phone: 604-940-4960 Fax: 604-940-9733
 Email: venco@telus.net
 www.venco.ca



MODEL	A	B	C	D	E	F	G	H
AVLD6032 SK L/R	59 ³ / ₄ 1518mm	31 ³ / ₄ 807	10 254	15 381	2 50	18 ¹ / ₂ 470	15 ³ / ₄ 400	25 ⁷ / ₈ 658



Water capacity (Imperial Gallons)

MODEL	MIN	MAX
AVLD6032 SK L/R	42	46