

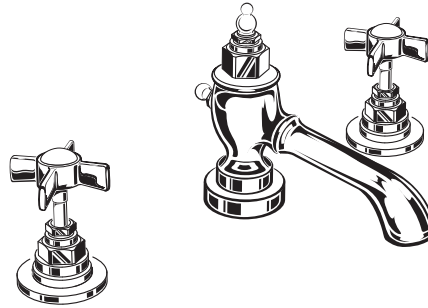
INSTALLATION INSTRUCTIONS

Landfair™ Cross Widespread Lavatory Faucet Model D35107840



AMERICAN STANDARD

Thank you for selecting DXV by American Standard.
To ensure that your installation proceeds smoothly,
please read these instructions carefully
before you begin.



RECOMMENDED TOOLS AND MATERIALS

Most of the procedures require the use of common tools and materials, which are available from hardware and plumbing, supply stores. It is essential that the tools and materials be on hand before work is begun.



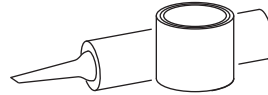
Channel Locks



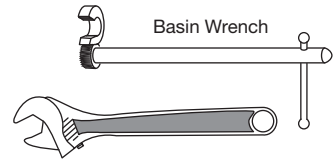
Flat Blade Screwdriver



Phillips Screwdriver



Plumbers' Putty or Caulking

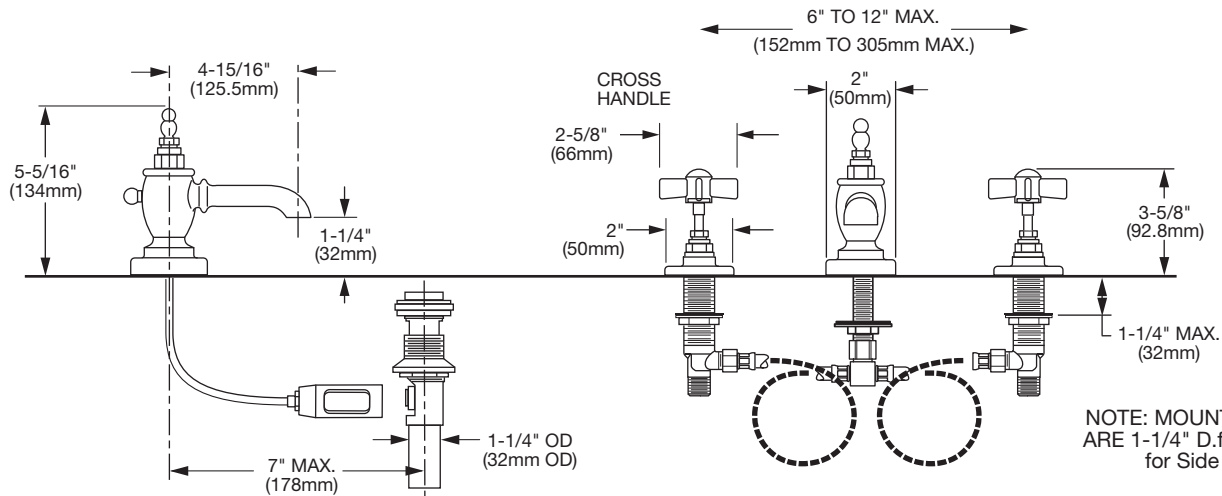


Basin Wrench

Adjustable Wrench

ROUGHING-IN DIMENSIONS:

- For reference



NOTE: MOUNTING HOLES ARE 1-1/4" D. for Spout and for Side valve

In the United States:

DXV by American Standard
One Centennial Avenue
Piscataway, New Jersey 08855
Attention: Director of Customer Care

For residents of the United States, warranty information may also be obtained by calling the following toll free number: (800) 227-2734
www.DXV.com

In Canada:

DXV by American Standard
5900 Avebury Road
Mississauga, Ontario
L5R 3M3
Canada

Toll Free: 1-800-387-0369
Local: 905-306-1093
Fax: 1-800-395-1498
www.DXV.ca

In Mexico:

DXV by American Standard
Via Morelos 330
Col. Santa Clara Coatitla
Ecatepec, Estado de México 55540

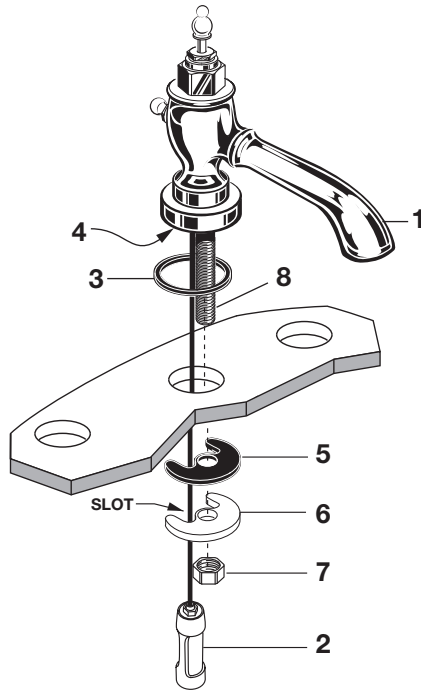
Toll Free: 01-800-8391200
www.DXV.mx

SAVE FOR FUTURE USE

1 SPOUT ASSEMBLY **CAUTION**

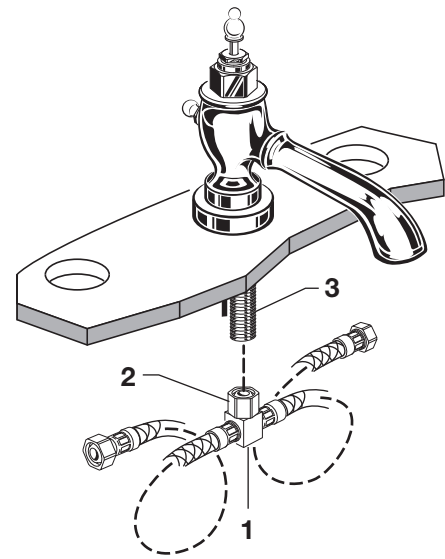
Turn off hot and cold water supplies before beginning.

- Insert SPOUT (1) and CABLE CONNECTOR (2) through enter hole, making sure SEAL WASHER (3) is properly seated in SPOUT BASE (4) groove.
- Assemble RUBBER WASHER (5), BRASS WASHER (6) and LOCKNUT (7) onto SPOUT SHANK (8) from under side of sink. Make sure SPOUT (1) is centered in the mounting hole and the *slot* in the BRASS WASHER (6) faces toward the rear of the sink.
- Tighten LOCKNUT (7) firmly.



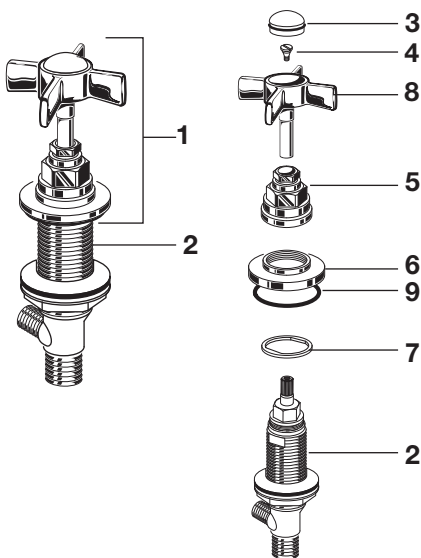
2 TEE ASSEMBLY

- Thread TEE BODY (1) COUPLING NUT (2) to SPOUT SHANK (3).



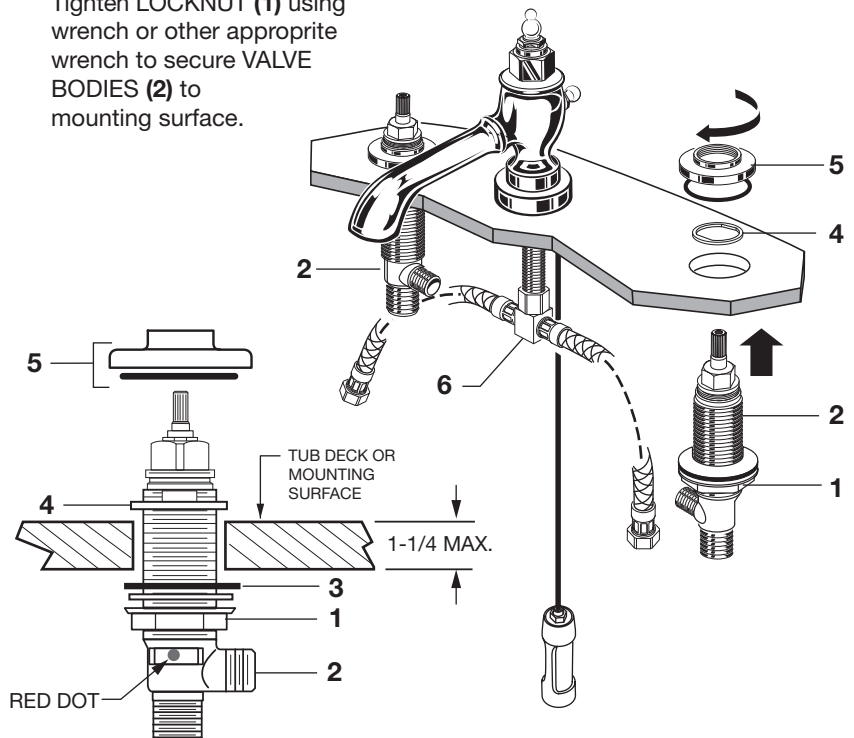
3 REMOVE HANDLE ASSEMBLIES FROM VALVE BODIES

- HANDLE ASSEMBLIES (1) are installed on VALVE BODIES (2) and must be removed to install VALVE BODIES (2) into mounting holes.
- To remove HANDLE ASSEMBLY (1), pull out INDEX (3) and remove HANDLE SCREW (4). Pull off HANDLE (8). Unthread BONNET NUT (5) and ESCUTCHEON (6). Remove STOP RING (7) and SEAL WASHER (9).



4 INSTALL VALVE BODIES

- Thread LOCKNUT (1) to bottom of VALVE BODY (2). Make sure RUBBER WASHER (3) is installed. Insert VALVE BODY (2) through mounting hole from underside of lavatory or mounting surface. **Note: VALVE BODY marked Hot (RED DOT) is installed in the left mtg. hole, VALVE BODY marked Cold (BLUE DOT) in the right when facing front of fitting. Maximum mounting surface thickness is 1-1/4" (32mm).**
- From top install STOP RING (4) onto VALVE BODY (2). Thread ESCUTCHEON (5) with seal to VALVE BODY (2) until seated tightly against STOP RING (4). Set VALVE BODIES (2) so that their outlets are facing toward SPOUT TEE (6). Tighten LOCKNUT (1) using wrench or other appropriate wrench to secure VALVE BODIES (2) to mounting surface.



5 INSTALL HANDLES AND SUPPLY HOSES

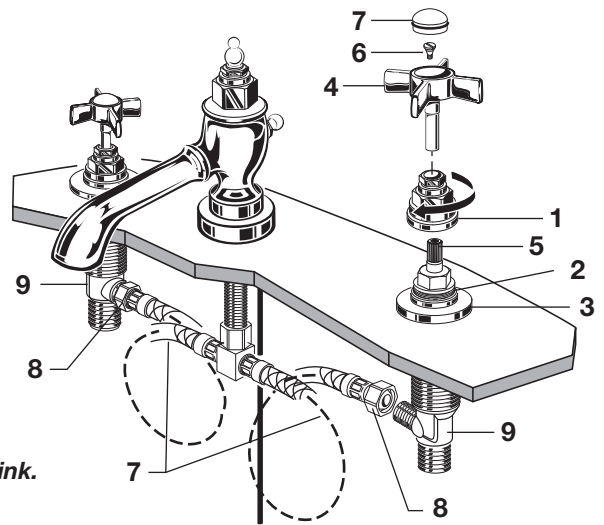
INSTALL HANDLES

- Thread BONNET NUTS (1) clock-wise onto VALVE BODY THREADS (2) until seated tightly against ESCUTCHEON (3).
- Turn VALVE STEMS (5) to off position. Align HANDLES (4) as shown or as desired. Push HANDLES (4) onto VALVE STEMS (5). Tighten with HANDLE SCREWS (6). Install INDEXES (7). (HOT on the left, Cold on the right).

INSTALL SUPPLY HOSES

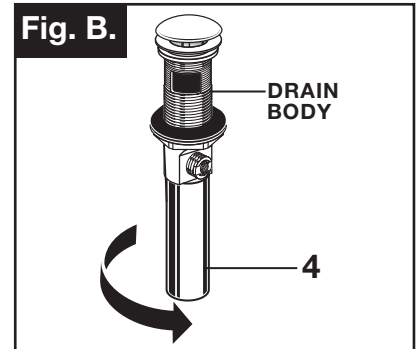
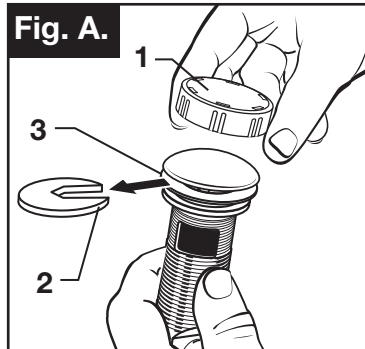
- Thread supply hose COUPLING NUTS (8) onto outlets on VALVE BODIES (9). Tighten with an adjustable wrench making a water tight connection.

Important: Loop SUPPLY HOSES (10) as illustrated so they do not kink.



6 INSTALL POP-UP DRAIN

- Remove CLEAR PLASTIC COVER (1). Fig. A.
- Remove FOAM SPACER (2) from under DRAIN POP-UP (3). Fig. A.
- Tighten TAILPIECE (4) on DRAIN BODY before installing DRAIN BODY. Fig. B.

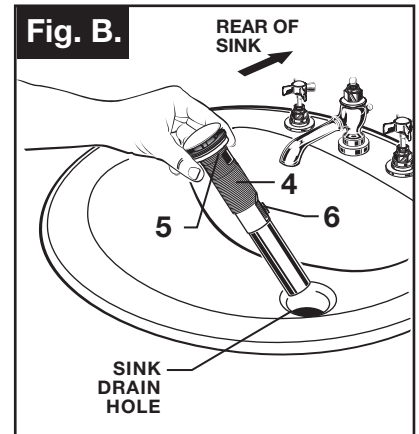
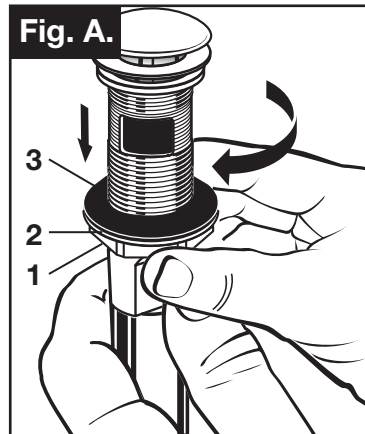


7 REMOVE MOUNTING WASHERS AND LOCKNUT

- Thread LOCKNUT (1) counter-clockwise and remove from drain body. Remove PLASTIC WASHER (2) and pull off RUBBER CONE WASHER (3) Fig. A.
- Drop DRAIN BODY (4) through sink drain hole. Make sure WHITE FOAM GASKET (5) is under flange of DRAIN BODY (4). Fig. B.

Note: No plumber's putty or caulk is required.

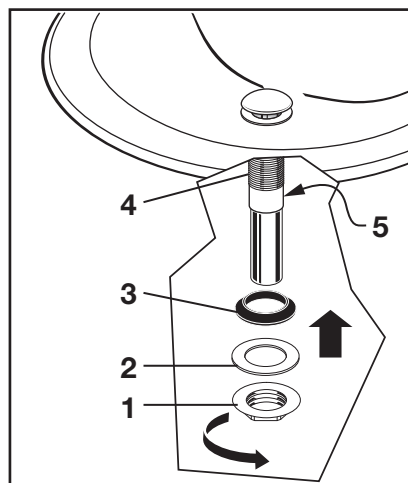
- The CABLE ATTACHMENT POINT (6) must face towards the rear of the SINK. Fig. B.



8 ATTACH DRAIN FROM BELOW FIXTURE

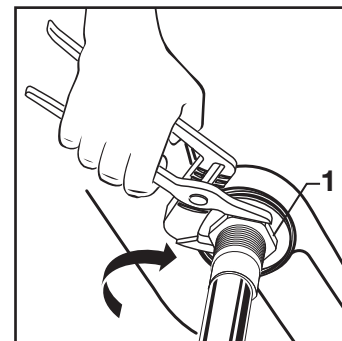
- From under side of SINK install RUBBER CONE WASHER (3), PLASTIC WASHER (2) and LOCKNUT (1) onto DRAIN BODY (4).

Note: The CABLE ATTACHMENT POINT (5) must face towards the rear of the SINK.



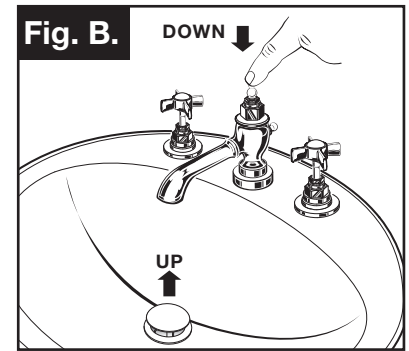
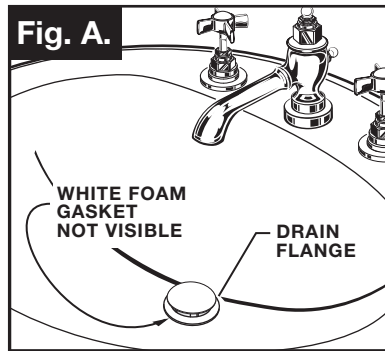
9 TIGHTEN LOCKNUT

- Tighten LOCKNUT (1) firmly with Adjustable Wrench or Channel Locks.



10 FLANGE GASKET AND POP-UP KNOB

- Check DRAIN FLANGE in SINK to ensure that WHITE FOAM GASKET (3) is fully compressed and not visible. **Fig. A.**
- POP-UP KNOB (1) must be fully down. **Fig. B.**

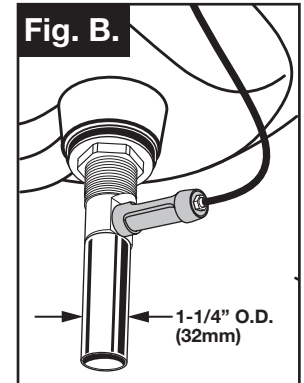
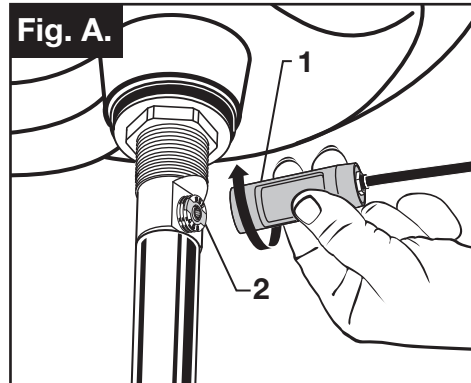


11 ATTACH CABLE CONNECTOR

- Thread CABLE CONNECTOR (1) clockwise onto DRAIN BODY CONNECTION (2) and hand tighten. **Fig. A.**

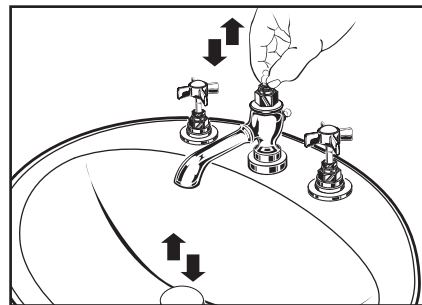
Your new POP-UP DRAIN installation is now complete. **Fig. B.**

Note: Tailpiece on pop-up drain is 1-1/4" (32mm) O.D. **Fig. B.**



12 CHECK OPERATION OF POP-UP

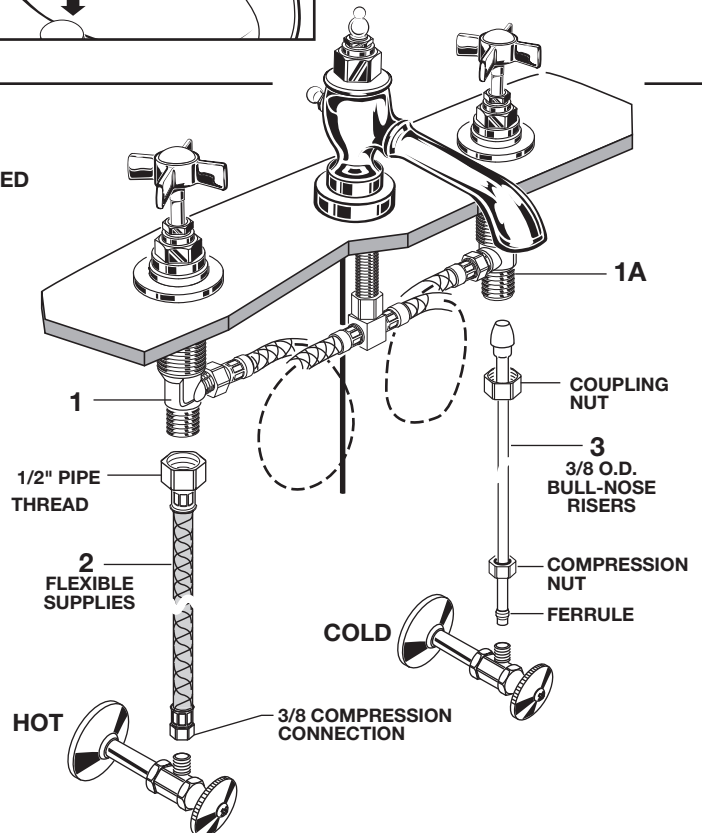
- Operate LIFT KNOB (1) to verify that STOPPER (2) opens and closes.
- **Note:** If STOPPER (2) does not open and close properly then refer to the "troubleshooting section" of these instructions.



13 MAKE WATER SUPPLY AND WASTE CONNECTIONS

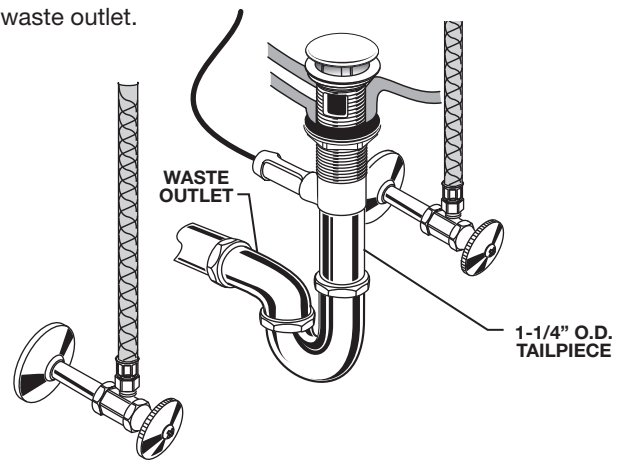
NOTE: FLEXIBLE SUPPLIES OR BULL-NOSE RISERS NOT INCLUDED AND MUST BE PURCHASED SEPARATELY.

- Connect water supply to VALVE BODIES (1,1A) with 1/2" (13mm) IPS FLEXIBLE SUPPLIES (2) or 3/8" (10mm) O.D. BULL-NOSE RISERS (3). Use adjustable wrench to tighten connections. Do not over tighten. Be careful not to kink copper supply when bending. Use tubing cutter to cut to proper length.
- Connect HOT water supply to inlet of left SHANK and COLD water supply to right SHANK using sealant, appropriate connectors, and COUPLING NUTS.



14 CONNECT DRAIN

- Connect 1-1/4" (32mm) O.D. tailpiece on POP-UP DRAIN to waste outlet.

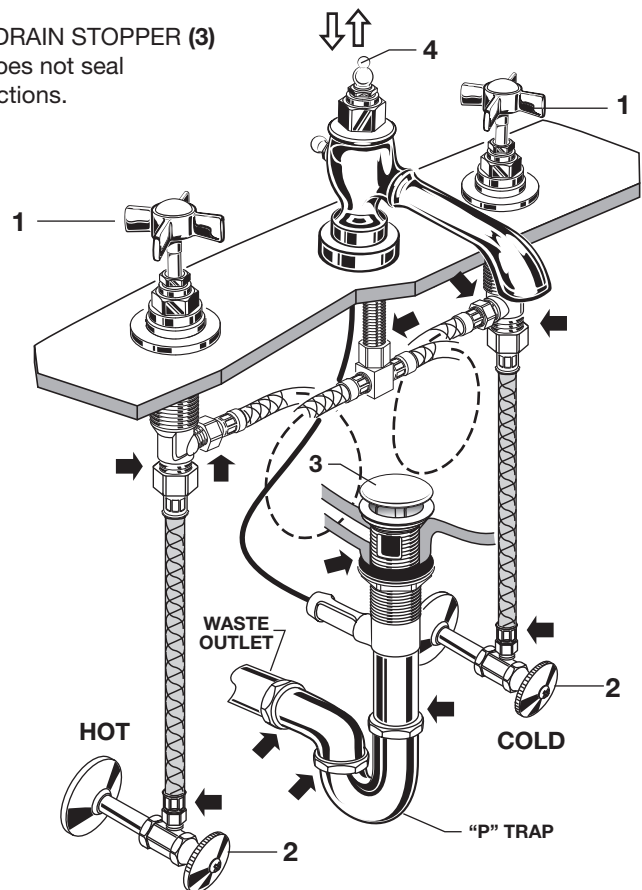


15 TEST INSTALLED FITTING

- With HANDLES (1) in OFF position, turn on WATER SUPPLIES (2) and check all connections for leaks. ➡
- Operate both HANDLES (1) to flush water lines thoroughly.

16 CHECK DRAIN CONNECTIONS

- Operate POP-UP KNOB (4) and fill Sink with water. Check that DRAIN STOPPER (3) makes a good seal and retains water in Sink. If STOPPER (3) does not seal properly, please refer to "Troubleshooting Guide" in these instructions.
- Push POP-UP KNOB (4) down and check all drain connections and "P" trap for leaks. ➡ Tighten if necessary.



Speed Connect® Drain Troubleshooting Guide

If sink does not hold water even though Stopper is in the “down” position:

- Follow CABLE ADJUSTMENT PROCEDURE.

If Stopper does not raise up fully or sink drains too slowly:

- Follow CABLE ADJUSTMENT PROCEDURE.

If you need to remove the Stopper:

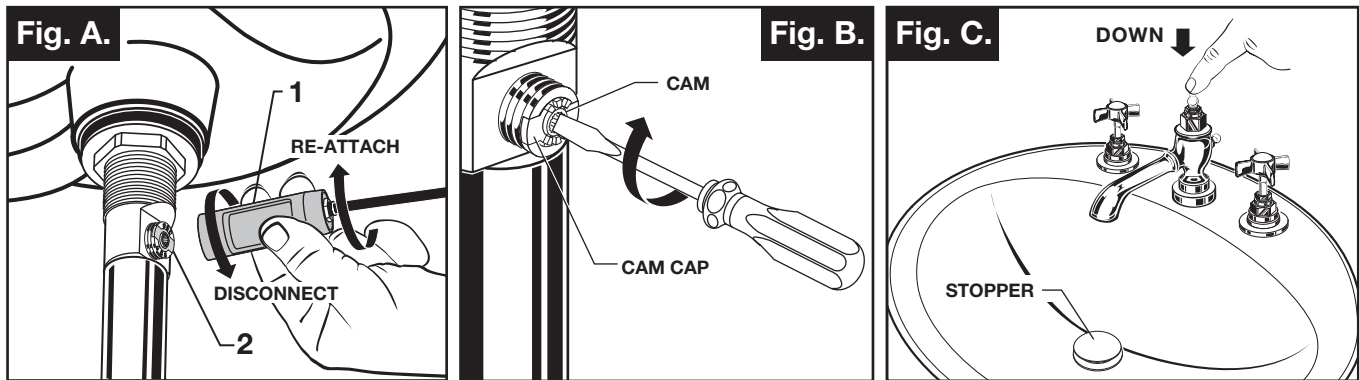
- Follow STOPPER REMOVAL PROCEDURE.

If you would like the ability to remove your Stopper simply by lifting it out of the drain:

- Follow STOPPER INSTALLATION PROCEDURE for “Unlocked” mode.

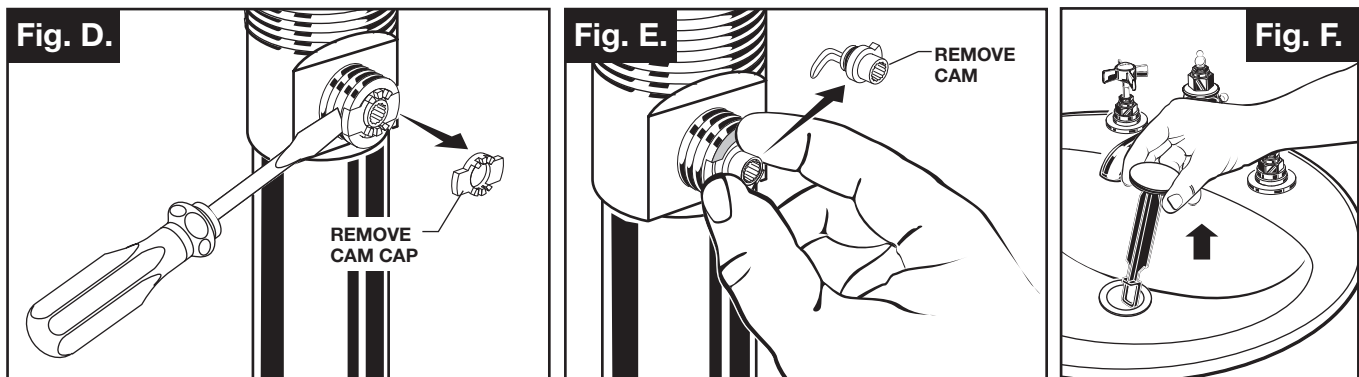
CABLE ADJUSTMENT PROCEDURE

- Disconnect the Cable from the Drain by threading the Cable Connector (1) counter-clockwise. **Fig. A.**
- Look at the area on the Drain Body where the Cable was attached and locate the component labeled as “Cam” in the illustration. **Fig. B.**
- Use a small screwdriver to rotate the Cam in the clockwise direction as far as it will go. At this point the Stopper should be in the UP position. **Fig. B, C.**
- Push DOWN on the Lift-Knob to make sure it is fully down. **Fig. C.**
- Re-attach the Cable to the Drain Body Connection (2) by threading the Cable Connector (1) clockwise onto the Drain Body Connection (2) and hand-tighten. **Fig. A.**



STOPPER REMOVAL PROCEDURE

- Disconnect the Cable from the Drain by threading the Cable Connector (1) counter-clockwise. **Fig. A.**
- Look at the area on the Drain Body where the Cable was attached and locate the component labeled as “Cam” and “Cam Cap” in the illustration. **Fig. B.**
- Use fingers or small screwdriver under either side of the Cam Cap to pry it out from the Drain. **Fig. D.**
- Remove the Cam by pulling it straight out while wiggling gently to loosen the Rubber Seal. **Fig. E.**
- The Stopper can now be removed by lifting it out of the Drain. **Fig. F.**

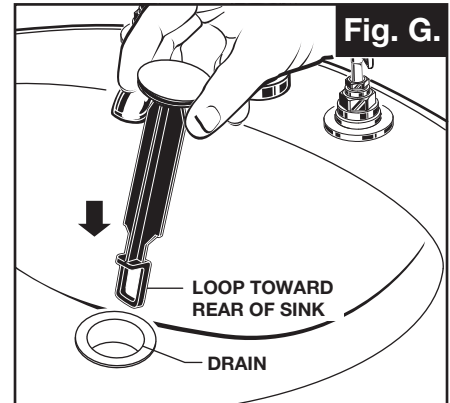


STOPPER INSTALLATION PROCEDURE

The Stopper can be installed two ways, “Locked” Mode (Stopper cannot be removed) or “Unlock” Mode (Stopper is removable).

Locked Mode:

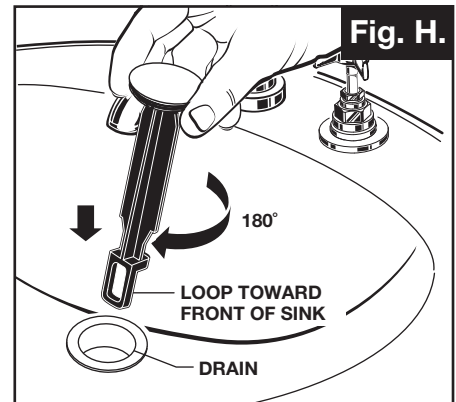
- Look at the Plastic Loop at the bottom of the Stopper and notice that the Loop is on one side of the Stopper. **Fig. G.**
- To install the stopper in “Locked” mode, insert the Stopper into the Drain so that the Plastic Loop is facing toward the **rear** of the Sink. Rotate Stopper slightly if necessary so that the Stopper slides all the way down. **Fig. G.**
- Re-install the Cam into the Drain, rotating the Cam if necessary to make sure it is fully inserted. **Fig. J.**
- Re-install the Cam Cap, making sure the guide teeth are facing outward. If the Cam Cap does not “snap” into place, then rotate the Cam to make sure it is fully inserted. **Fig. K.**
- Re-attach Cable. See “CABLE ADJUSTMENT PROCEDURE” in Troubleshooting Guide to complete installation. Stopper will be in “Locked” mode and not be removable.



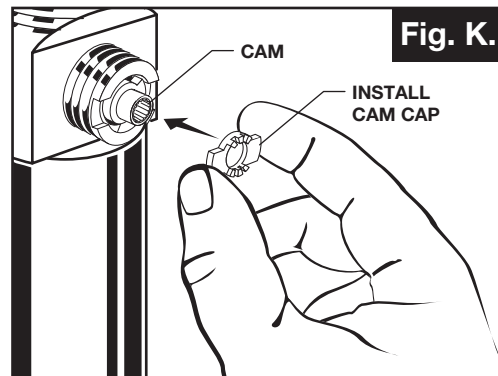
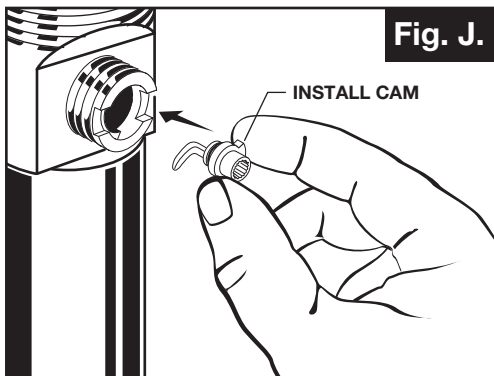
**Locked Mode
(Vandal Proof)**

Unlocked Mode:

- Look at the Plastic Loop at the bottom of the Stopper and notice that the Loop is on one side of the Stopper. **Fig. H.**
- To install the stopper in “Unlocked” mode, insert the Stopper into the Drain so that the Plastic Loop is facing toward the **front** of the Sink. Rotate Stopper slightly if necessary so that the Stopper slides all the way down. **Fig. H.**
- Re-install the Cam into the Drain, rotating the Cam if necessary to make sure it is fully inserted. **Fig. J.**
- Re-install the Cam Cap, making sure the guide teeth are facing outward. If the Cam Cap does not “snap” into place, then rotate the Cam to make sure it is fully inserted. **Fig. K.**
- Re-attach Cable. See “CABLE ADJUSTMENT PROCEDURE” in “Troubleshooting Guide” to complete installation. Stopper will be in “Unlocked” mode and removable.



Unlocked Mode



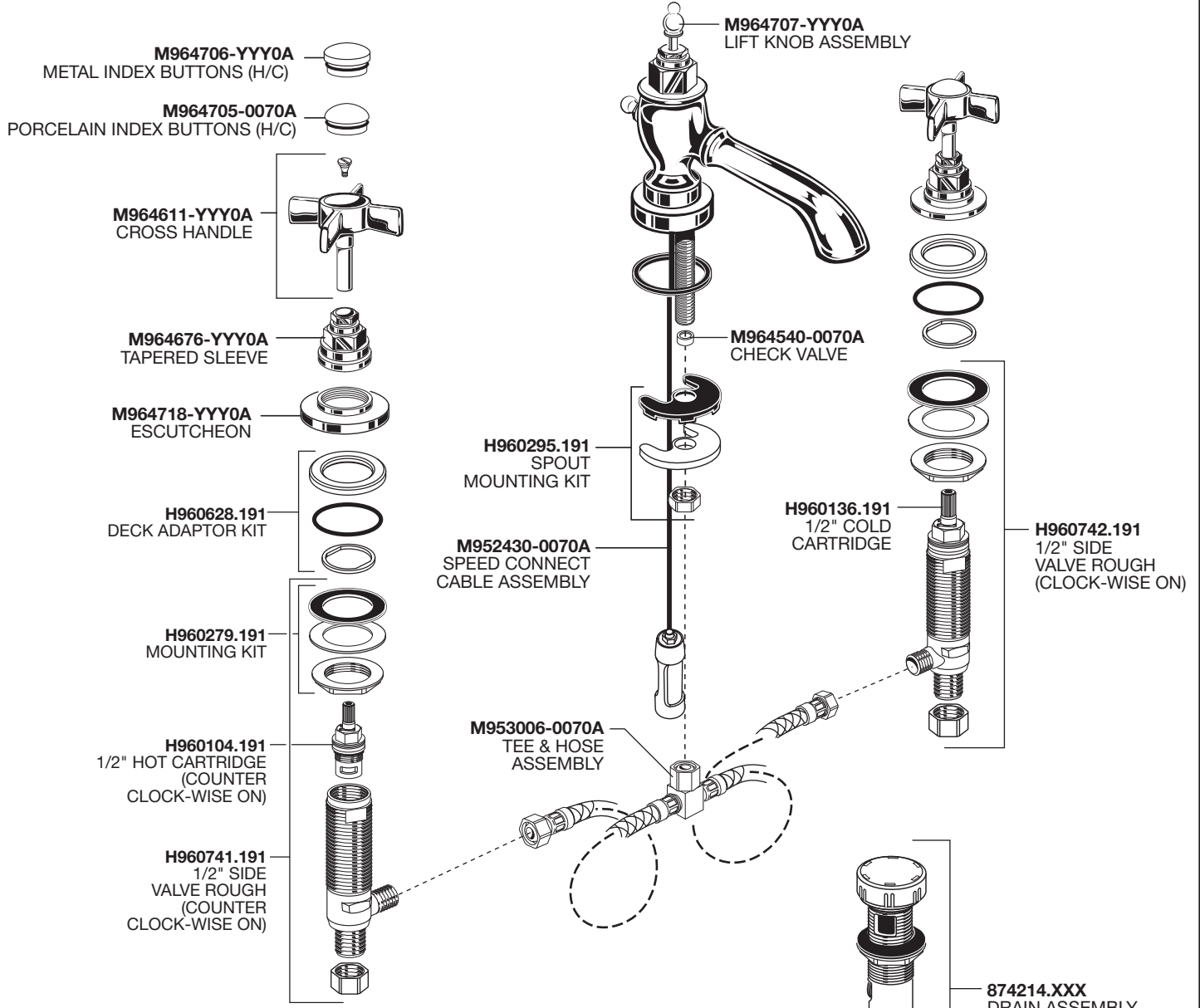


AMERICAN STANDARD

Landfair™ Cross Widespread Lavatory Faucet

MODEL NUMBER

D35107840



Replace the "XXX" or "YYY" with appropriate finish code

POLISHED CHROME	100
CARBON BRONZE	110
PLATINUM NICKEL	150