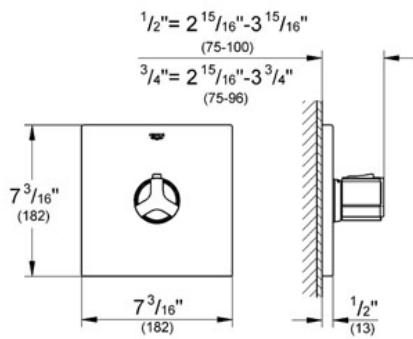


ALLURE  
Central Thermostatic Mixer  
MODEL # 19305

GROHE CANADA, INC. | 5900 Avebury Road, Mississauga, Ontario, Canada L5R 3M3  
Phone: 905-271-2929 | Fax: 905-271-9494 | info@grohe.ca

Pure Freude  
an Wasser



**Product Description:**  
Central Thermostatic Mixer

**Standard Specification:**

- Set for final installation
- Without concealed body
- **GROHE StarLight®** finish
- For use with GROHTHERM Rough-In Valve 34 331 or 34 397

**Applicable Codes & Standards:**

- Energy Policy Act of 1992
- ASME A112.18.1/CSA B125.1

**Color:**

- 19305 000 chrome