

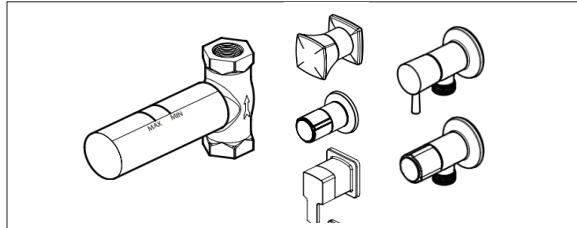
# IMPORTANT THINGS TO REMEMBER DURING THE INSTALLATION OF YOUR SHOWER SYSTEM

1

Important to follow the installation manual(s).

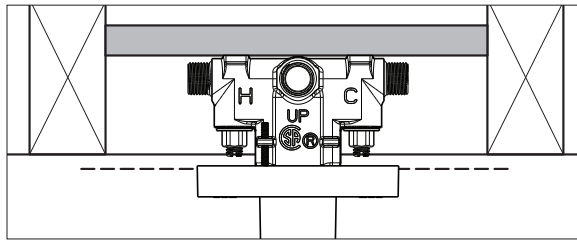
2

Thermostatic valves manages the **temperature only**. Depending on which kit you're installing, volume controls, 2-way diverter or 3-way diverter are necessary to manage water output.



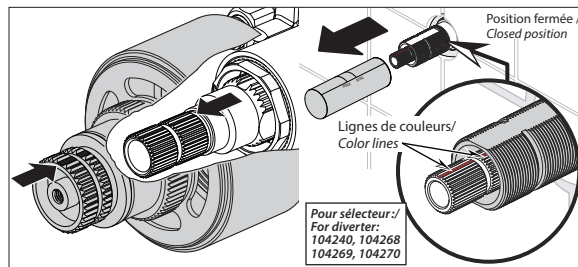
3

The plastic cover must be used to determine the depth of the valve and the diameter of the cut-out hole.



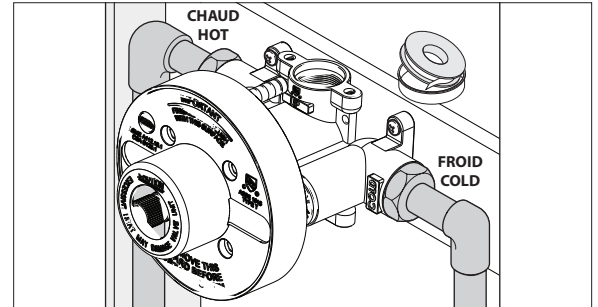
4

Starting with the color line on the cartridge, align all the color lines found on the subsequent parts.



5

Hot water supply on left and cold water supply on right.

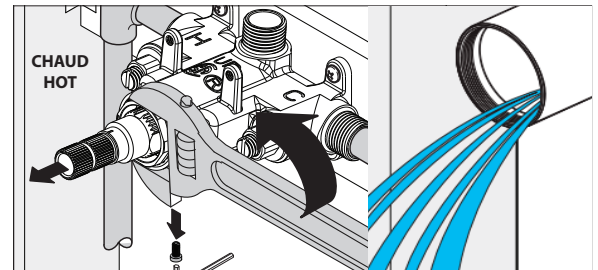


6

Remove cartridge and check valves before welding copper conduits (allow to cool).

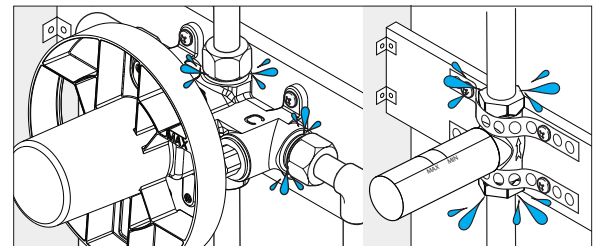
7

Purge lines to clear debris then reinstall or replace the cartridge.



8

Before closing the walls, test the temperature manageability and watch for leaks.



Call Kalia if you need assistance or if you have any questions: 1-877-465-2542 or email at [service@kaliastyle.com](mailto:service@kaliastyle.com).

→ Please have in hand your product codes or installation manuals.

KEEP ALL INSTALLATION INSTRUCTION MANUALS FOR THE END-USER IF NEEDED FOR FUTURE REFERENCE.