

Utile side wall 32 in.

Model number:

103419

Dimensions: 32" x 1" x 80"

Installation: Direct to Stud

Material: Composite



Standard Features:

- Realistic looking tile and grout
- Solid, one-piece walls: sturdy and durable
- Mistake-proof Ulok system makes assembly simple and quick
- Corner or alcove shower installation
- 10-year warranty

Product characteristics:

- Designer Series
- Direct to Stud Installation
- Award Winner

Warranty:

10 Years

Standard colors:



\$name



\$name



\$name

Certifications

MAAX products adhere to one or more of the following certifications:



Recommended products (Visit our website for a complete list of our recommended products)

No	Description
103421	Utile back wall 48 in.
103422	Utile back wall 60 in.

Utile side wall 32 in.

Model number:

103419

Dimensions: 32" x 1" x 80"

Installation: Direct to Stud

Material: Composite

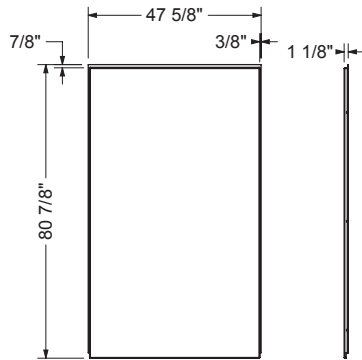
Dimensions:

32 x 1 1/8 x 80 in.
(813 x 29 x 2032 mm)

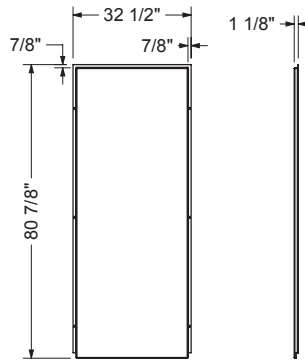
Weight:

51 lbs (23 kg)

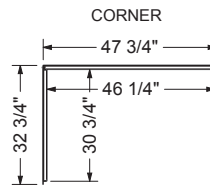
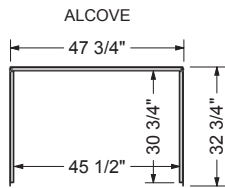
BACK WALL



SIDE WALL



TOP VIEW (ASSEMBLED)



This product is designed to be installed in a building that conforms with the requirements of the National Building Code of Canada 2005
All dimensions are approximate. Structure measurements must be verified against the unit to ensure proper fit.

Project:

Contractor:

Representative:

Date:

Tel:

Notes: