

**AXOR Starck**  
**AXOR Starck Freestanding Tub Filler Trim with 2.0 GPM Handshower**  
 Finishes : **brushed nickel** Part no. : **10456821**



## Description

### Features

- Ceramic cartridge
- integrated shower support
- Tub spout with diverter

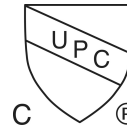
## Item details

List Price \$ 3,091.00

## Technology



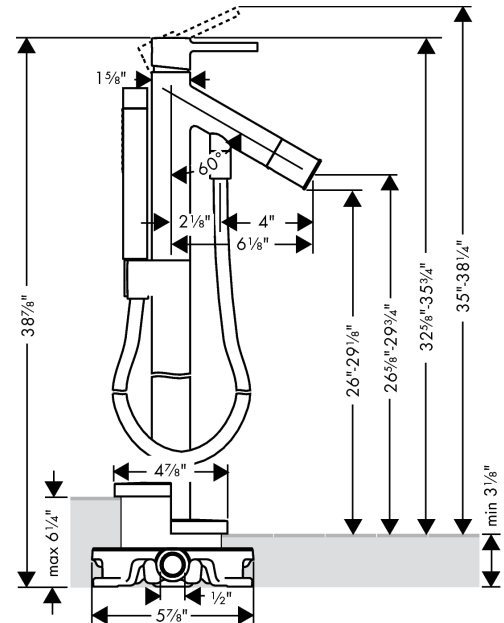
## Compliance



## Product image



## Scale drawing

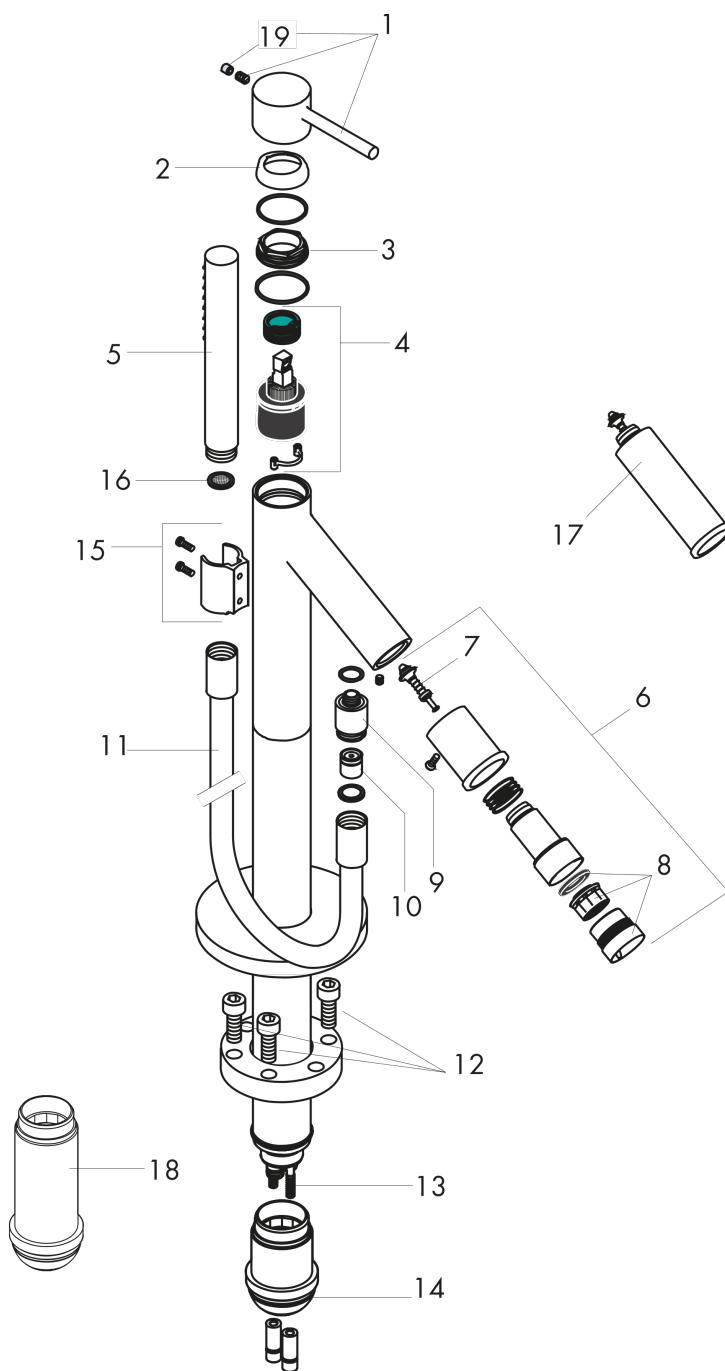


**AXOR Starck**  
**AXOR Starck Freestanding Tub Filler Trim with 2.0 GPM Handshower**  
Finishes : **brushed nickel** Part no. : **10456821**



## Exploded drawing

Year of production: >07/17



**AXOR Starck**
**AXOR Starck Freestanding Tub Filler Trim with 2.0 GPM Handshower**

 Finishes : **brushed nickel** Part no. : **10456821**

**Spare parts list**

Year of production: &gt;07/17

Pos.	Description	Part no.	Price	PU
1	handle	10093820	-	1
2	flange	96763820	-	1
3	nut	97209000	-	1
4	cartridge, assy	92730000	-	1
5	handshower	04304820	-	1
6	selector assy	96294820	-	1
7	selector	96297000	-	1
8	aerator M30x1 (25 l/min)	96296820	-	1
9	connecting thread	97527000	-	1
10	set of non return valves DW 15	94074000	-	1
11	shower hose 1,25 m	28282820	-	1
12	hexagon socket screw M10x35	97670000	-	1
13	O-ring 9x1,5	98117000	-	1
14	O-ring 44x2,5	98162000	-	1
15	shower holder, assy	96295000	-	1
16	filter packing	94246000	-	1
17	extension for diverter 60 mm	10981820	-	1
18	extension set 60 mm	97686000	-	1
19	screw cover	96762000	-	1
a	concealed item	10452180	-	1
b	supply pipe 02/99 - 09/02	97226000	-	1
c	O-ring 30x2,5	98151000	-	1
d	O-ring 33x2	98154000	-	1
e	O-ring 35x2	92604000	-	1
f	O-ring 16x2	98133000	-	1
g	O-ring 24x2	98388000	-	1
h	O-ring 29x3	98371000	-	1
i	O-ring 7x2	98419000	-	1